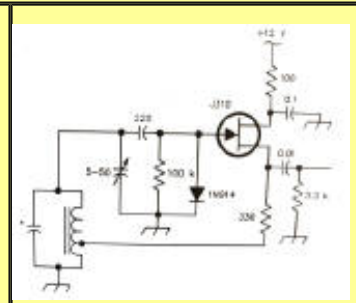


2011

Local Oscillator



June

Mesilla Valley Radio Club

A [pdf file](#) of this issue is available. It should print fairly easily. If you do not have the free pdf file reader, go to <http://www.adobe.com>

Coming Events

Table of Contents

Date	Event	Time
M - F	6 m FM net 52.540	6:00AM
T, T	Informal Wal-Mart (E)	10:00AM
M, W, F	Informal Wal-Mart (W)	10:00AM
Mon	WTRA Swap net 146.88	8 PM
Wed	Net 146.64	6:45PM
June 4	Breakfast - Club House	8 AM
June 4	Business meet - Club House	9 AM
June 7	Builders Group - Club House	7 PM
June 8	Board meet - Club House	7 PM
June 21	Builders Group - Club House	7 PM
June 25,26	Field Day - Club House	
	for more events see http://www.n5bl.org/calendar	

COMING EVENTS
 TABLE OF CONTENTS
[BEAN FEED 2011](#)
[CLUB HOUSE CLEAN-UP](#)
 FIELD DAY
[UNCLASSIFIED](#)
[MONTHLY BUSINESS MEETING](#)
[MONTHLY BOARD MEETING](#)
[BACK PAGE](#)



Bean Feed 2011



Southwest Antennas & Accessories

more information at <http://swantenna.com>

The space below is used for acknowledgements and maintaining the site.
Send comments, suggestions, and requests to [Alex. F. Burr](mailto:aburr@qzxservices.com) or send e-mail to aburr@qzxservices.com.
Technical assistance, net access, design, and maintenance provided by qzxservices.com

THE ARTICLES FOR THIS MONTH

BEAN FEED 2011 AD5LJ

The annual MVRC Bean Feed was held on 1 May 2011. The Bean Feed is normally held on the last Sunday in April but was delayed this year to avoid a conflict with Easter Sunday.

The Bean Feed tradition was started by the club in 1964 and the 2011 Bean Feed was the 35th event! The initial Bean Feeds were held every other year at the La Mesa Fire Station and then move to Las Cruces in the early 1970's. During the 1970's the event was held at various locations in Las Cruces and eventually moved to the Las Cruces Fair Grounds as an annual event where it remained until 1990. The Bean Feed moved to its current location in 1993.

This year's Bean Feed was very successful.

The total income was approximately \$1800 of which \$1400 was from equipment sales. 42 Meals were served. A VE session was held and 6 people took tests. Four passed (2-techs and 2-generals).

The Bean Feed was well attended. The attendees came from all over southern New Mexico, El Paso TX, a few from Albuquerque, NM a few from Juarez, Mexico and two from Colorado. The New Mexico ARRL Section Manager (Don Wood) and his wife attended.

The following people made the Bean Feed a success.

- KD5SSJ - Food Donation
- AE5XI, KD5SSJ, KD5UZF, W3GWU, KF5KHJ - Food Prep, and kitchen clean-up
- K5KMC - ticket sales
- W0SWK - Talk In
- KD5OHA - Parking, Road Signs
- N5WQ - Ham License exam
- AD5LJ - equipment sales, clean-up

[Return to Table of Contents](#)

CLUBHOUSE REPAIR AND MAINTENANCE AD5LJ

On Saturday, 14 May, several people assembled at the clubhouse to performance maintenance and general interior clean up. The tasks accomplished included:

- **Repair of hot water heater,**
- **Securing loose exterior siding,**
- **Calking cracks in the exterior siding,**
- **Repairing wind damage to the roof,**
- **Turn off furnace and put air conditioner into service,**
- **General clean up of the clubhouse interior**
- **Trash removal.**

The following Amateurs helped with the work;

- **Terry AE5XI**
- **John WK5C**
- **Cash KD5SSJ**
- **Ron KE5KLK**
- **Gus N0YRQ**
- **Furman KF5KHL**
- **Randy KE5EMP**
- **Bob AD5LJ**

[Return to Table of Contents](#)

**FIELD DAY
K5XY**

Some club members are working hard to have a field day activity. To the best of my knowledge it will be held at the club house with operating activities during the entire field day period from June 25 to June 26. There will probably be VHF as well as HF operating positions and maybe a little satellite operation. There is even likely to be some snacks. Come to the club house and see for yourself.

[Return to Table of Contents](#)

UNCLASSIFIED ADS

WANTED: New Mexico Ham Radio License Plates, all years. Especially need 1959-1964, inclusive, plus 1976, 1977, 1983, 1984, 1986, 1987, 1989, and 2000. Will buy or trade. Bill Johnston, K5ZI, P.O. Box 640, Organ, NM 88052-0640. Tel. 575-382-7804, e-mail: K5ZI@arrl.net

[Return to Table of Contents](#)

**MONTHLY BUSINESS MEETING
KD5UZF**

Not available

[Return to Table of Contents](#)

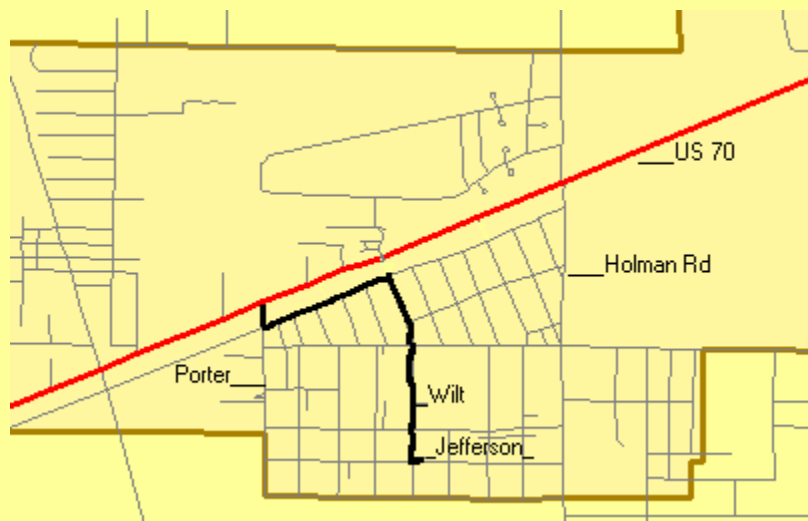
**MONTHLY BOARD MEETING
KD5UZF**

Not available

[Return to Table of Contents](#)

CLUB INFORMATION

The MVRC Clubhouse is located at the intersection of Wilt and Jefferson in Hacienda Heights. To find the clubhouse, set your destination on your GPS receiver as 32 degrees 22.961 minutes and -106 degrees 41.44 minutes. If you don't own a gps, take the Porter exit on US 70. It is about 5 miles from the I 25 interchange, near the firehouse. Almost immediately south of the south frontage road on the south side of US 70, turn left toward the mountains until you come to Wilt. Turn right. There is a jog in the road, but at 0.35 miles you should come to Jefferson. If you can't see the tower and beam, you shouldn't be driving. The treasurer would be delighted to receive your contribution for landscaping and furnishing.



Officers

Office	Name	Call	Phone	E-Mail
President	Robert Truitt	KE5OFK	649-4173	robhtruitt@zianet.com
Secretary	Melanie Jack	KD5UZF	202-3363	thedragon@melaniestonejack.com
Treasurer	Kevin McNelis	K5KMC	571-7326	kmcnelis@nmsu.edu
Board Members				
	Terry Angle	AE5XI	640-9669	kf5dns@gmail.com
	Bob Bennett	AD5LJ	382-0148	rpbennett1@comcast.net
	Alex. Burr	K5XY	522-2528	k5xy@arrl.net
	Cash Olsen	KD5SSJ	382-1917	kd5ssj@arrl.net
	Henry Schotzko	AD5FE	526-1922	schotzko@comcast.net
	Vern Vondeeder	WV5N	510-909-0069	vern@wv5n.com

The newsletter is always looking for articles and notes of interest to the members of the Mesilla Valley Radio Club. Please send them to Alex. F. Burr, K5XY, Editor, MVRC Local Oscillator, 695 Stone Canyon Drive, Las Cruces, NM 88011. Small personal ads from members will also be published. It would be helpful if submissions would be made in a machine readable form. Windows readable disks are welcome. Files can also be sent to the Internet address k5xy@arrl.net. The club maintains a web site at <http://www.n5bl.org>

JOIN THE CLUB

To join the Mesilla Valley Radio Club, renew your membership, or to support the repeaters, please print, cut out, and complete the form below. Send it with dues (\$35 single, \$45 family per year, add \$10 to receive the newsletter by US mail instead of e-mail) to: Treasurer, MVRC, Box 1443, Las Cruces, NM 88004.

MESILLA VALLEY RADIO CLUB CALL SIGN(S) _____ FAMILY _____ _____ LIC CLASS (E, A, G, T, N) _____ ARRL (Y/N) _____ ARRL VE (Y/N) _____ Would you like to be added to the MVRC reflector? _____ NAME _____	
EMAIL _____	
STREET ADDRESS _____ _____	
CITY & ZIP _____ PHONE _____ (OPTIONAL) INTERESTS – Computer __ Contests __ Digital __ Elmer __ Emergency Communications __ Field Day __ Packet __ Programs __ Public Service __ Publicity __ RFI __ Repeater __ Social __ Take License Classes __ Teach License Classes __ Volunteer Examiner __ Other _____ SINGLE \$35 FAMILY \$45	

[Return to home page](#)

[Return to Local Oscillator first page](#)

[Return to N5BL home page](#)