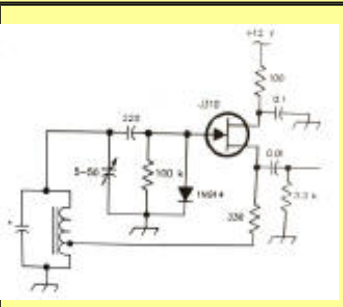
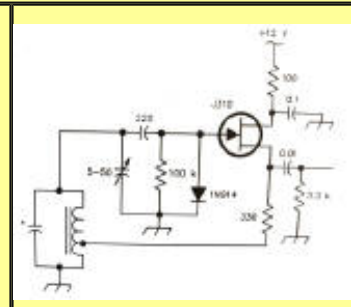


# Local Oscillator



2011



April

**Mesilla Valley Radio Club**

A [pdf file](#) of this issue is available. It should print fairly easily. If you do not have the free pdf file reader, go to <http://www.adobe.com>

## Coming Events

## Table of Contents

| Date     | Event   | Time    |
|----------|---|---------|
| M - F    | 6 m FM net 52.540   | 6:00AM  |
| T, T     | Informal Wal-Mart (E)   | 10:00AM |
| M, W, F  | Informal Wal-Mart (W)   | 10:00AM |
| Mon      | WTRA Swap net 146.88  | 8 PM    |
| Wed      | Net 146.64  | 6:45PM  |
| April 2  | Breakfast - Club House  | 8 AM    |
| April 2  | Business meet - Club House  | 9 AM    |
| April 3  | VE Test - Club House<br>call 644-0344   |         |
| April 5  | Builders Group - Club House   | 7 PM    |
| April 6  | Board meet - Club House   | 7 PM    |
| April 9  | NM QSO Party<br><a href="http://pages.swcp.com/~n5zgt/nmqsoparty">http://pages.swcp.com/~n5zgt/nmqsoparty</a> |         |
| April 19 | Builders Group - Club House   | 7 PM    |
| May 1    | Bean Feed - Club House  |         |
|          | for more events see<br><a href="http://www.n5bl.org/calendar">http://www.n5bl.org/calendar</a>                |         |

[COMING EVENTS](#)  
[TABLE OF CONTENTS](#)  
[MARCH CLASS](#)  
[BATAAN DEATH MARCH](#)  
[NM HAM LICENSE PLATES](#)  
[THE "DOCTOR" AND "OTHER THINGS" ARE IN UNCLASSIFIED](#)  
[BUDGET](#)  
[MONTHLY BUSINESS MEETING](#)  
[MONTHLY BOARD MEETING](#)  
[BACK PAGE](#)



## Board Meeting



## Southwest Antennas & Accessories

more information at <http://swantenna.com>

The space below is used for acknowledgements and maintaining the site.  
Send comments, suggestions, and requests to [Alex. F. Burr](mailto:aburr@qzxservices.com) or send e-mail to [aburr@qzxservices.com](mailto:aburr@qzxservices.com).  
Technical assistance, net access, design, and maintenance provided by [qzxservices.com](http://qzxservices.com)

## THE ARTICLES FOR THIS MONTH

MARCH CLASS  
KD5SSJ

On March 18 - 20, 2011 the Mesilla Valley Radio Club held it's second Technician training classes of the year. This class consisted of seven students. Classes started on Friday evening, an all day session on Saturday and a half day session on Sunday morning. This has been the training schedule for as long as I have been a member of the club. This is a very aggressive schedule, cramming the training into much less time than than the recommended schedule but we have an excellent track record for students getting their Technician License on the first try. This class was no exception 6 students passed the test, the seventh student was the wife of another student that had not intended to take the course but we twisted her arm. She will study a little bit more and I'm sure that she can successfully get her license on the next try.

The course instructors were Cash Olsen KD5SSJ, Robert Bennett AD5LJ, Melanie Jack KD5UZF, and David Hassall WA5DJJ.

We tried a new method of keeping the cost low, just \$35, by loaning the book. Previously, we have supplied a manual but the current cost of the very high quality ARRL Technician Licensing Manual is \$29.95 and the testing fee is \$15. That would mean that we'd have to charge more than \$45 to be able to also provide lunch and snacks, as we do. By reissuing the books (and making them available at extra cost) we were able to keep the cost to just \$35 dollars, which is important during these days of rapidly raising costs.

The VE session gave 11 exams on Sunday afternoon, seven (7) Technician, three (3) General and one (1) Extra. Two of the Technicians also took the General exam and passed. The Extra exam was taken by Terry Angle KF5DNS and he passed. The VEC was John Hempfling N5WQ, and the VE team was Sandra Hempfling KJ5Q, and Joe Ostrowski KI5FJ.



**In the picture above, in the foreground is Gus (not a student); in the second row (left to right) is PJ, Smitty, Kevin and David; in the third row (left to right) Terry, Ann, and Margret, not in the picture is Alfred.**

**Congratulations to all of the new HAMs, and those up grading. An elmering session will be held to get these new HAMs on the air and involved in this exciting hobby as soon as they know their new call signs.**

[Return to Table of Contents](#)

## BATAAN DEATH MARCH KD5OHA

On Sunday March 27 a large group of amateur radio operators met on top of San Augustine Pass at 0400 to receive their assignments to provide communications at the 12 water points (WP) and the sand pit for the twenty second annual Bataan Memorial Death March. We were requested to be on post by 0430 due to the large number of marchers. Last year there were over five thousand marchers. This year we had 6,357 marchers or as K5KMC says “a bunch of people”.

This year we tried some new things. Wilson Moore offered the use of the search and rescue communication trailer which has three amateur radios in it, one of which is dedicated to the APRS computer. We put an APRS unit in the tail end van so we could track him in real time and tell where he was on the course. Also several marchers and the medic in the Black Hawk medical helicopter had APRS units that they were carrying so we were able to track all of them. We were told that some times our signal went to the Igate in Benson Ridge.

The ceremonies started at 06:30 and the march started at 07:00. The first 26 mile marathoner crossed the finish line in

Just over four hours. The wind made for a very interesting day. It was way past windy. At 19:30 hours (7:30 p.m.) the command general announced that everyone on the course had until eight o'clock to finish the race. The vans picked up everyone who had not finished by that time. A great big thank you to Wilson KF5EJS, George KD5OHA Commo. Trailer start line. John WK5C, Rick W3GWU WP 1, Dave K5DLA, WP2, Cash KD5SSJ, Bob AD5LJ, Sue KD5WVZ(Taos) WP 3/9, Richard KC5EVR, Charlotte KC5KWI, WP 4/8, Henry AD5FE, WP 5, Brad KC5SKE, Rob KE5OFK, WP 6, David W7DZG, Chad KF4ESM, WP 7, Vern WV5N, Zack KF5DNK, Sand Pit, Kevin K5KMC, Uli KF5DNR, WP 10, Turner KE5WTK (ALBQ.) WP 11, Gus N0YRQ, Jon KD0MJU, WP 12, Shad KF5EIW Finish line. Thanks again

[Return to Table of Contents](#)

## NM HAM LICENSE PLATES K5ZI

License plates bearing an amateur radio call sign are sure to catch the eye of most any ham who sees one on the road, and these special plates are available to licensed radio amateurs in New Mexico for a nominal extra charge of \$5 above the normal vehicle registration fee. As will be explained shortly, the process of applying for a ham plate is quite simple.

New Mexico was not the first state to offer callsign license plates, but they have been available here for well over a half century. In an era when special plates of any type were extremely rare, the original motivation for state motor vehicle departments to issue such plates came about in part because it enabled other motorists to identify persons who likely had communications equipment in their vehicles that would be useful in an emergency. Although cell phones have greatly diminished the need for ham radio communication for highway emergencies, the plates continue to be available.

Amateur radio plates were introduced by New Mexico in 1953, and were available to any ham with an automobile registered in the state, regardless of where the owner's home station was located. Hence, "out-of-district" callsigns would occasionally be seen on New Mexico plates in the 1950's, long before the FCC stopped requiring hams to change their callsigns upon moving to a new district.

When they first became available in 1953, there was a surcharge of \$5 per year for the plates, which at that time were issued in pairs – one for the front and one for the back of the car. By 1956 the surcharge had been reduced to \$3 per year, and it remained at that level until just a few years ago, when it was again set a \$5. In comparison to the \$17 charged for a vanity ("prestige" or "personalized") plate, the ham plate is still a bargain today.

All New Mexico plates were slightly larger (measuring about 6 x 14 inches) in 1953 than present day plates. At the urging of the automobile manufacturing industry, all states in the country standardized the size of their plates to 6 x 12 inches in 1956. Ham plates were included in this standardization that same year, and the size has remained unchanged to this day.

Incidentally, from late 1933 until a decade or so ago, New Mexico license plates were made at the State Penitentiary in Santa Fe. In the years before and since that period, they have been manufactured by private contractors.

In 1960, New Mexico dropped the requirement for two license plates, and began issuing only one plate, to be attached to the rear of the car. 1960 was also the first year that the state used a sticker to renew a plate, instead of stamping out new plates every year. For 1960, the sticker was stuck on a small metal tab that was in turn screwed over the embossed "59" that appeared in the lower right corner of the previous year's plate. The state achieved a

huge monetary savings by not having to make new plates for those who already had 1959 plates.

Having to cover up the embossed “59” was rather awkward, however, so in 1961 the state issued plates that had no date whatsoever. These plates had red numbers on a white background, with a clear, flat area in the lower right corner where a sticker could be affixed in future years. Ham plates for 1961 were made in the same style, and were renewed in 1962 and 1963 with special stickers bearing the word “RADIO” on them.

For reasons that have been lost to history, beginning in 1964 the state reverted to stamping out a new plate each year for ham radio plates, while regular car plates continued to get only a new sticker each year. In 1969 the abbreviation “USA” was added to all New Mexico plates, including ham plates.

The embossed dates on ham plates continued through 1973, after which a sticker bearing the words “HAM RADIO” was issued for 1974. This was somewhat unfortunate, as there was no good place on the plate to affix the sticker, and many hams stuck it on top of the embossed “73” which resulted in a rather messy appearance.

Embossed dates returned in 1975, and continued through 1979. If you got a new plate during those years, your plate had the embossed date of the year you received it. But for subsequent years the plate was renewed with stickers. Consequently, ham plates for the years 1976 through 1979 exist in both embossed and stickered varieties.

Beginning in 1980, and for every year since, undated plates have been issued, along with a sticker for the year of issue, followed by a renewal sticker in subsequent years. Ironically, for someone like me who collects New Mexico ham radio callsign plates, these more recent years are actually harder to come by than the older years, because each new sticker covers up the previous year’s sticker. And because the plates stay on the car for many years, they tend to get far more faded and beat up than the older plates did.

In 1991 the “Land of Enchantment” slogan (which had been in use on all New Mexico plates since 1941) was dropped from ham plates and replaced with the words “AMATEUR RADIO OPERATOR.” In 2000 the “balloon” style license plate became available for ham plates, providing a choice between that and the more traditional red and yellow plates which had been introduced back in 1979.

The most recent iteration is the turquoise plate, which first became available in 2010. There have been some complaints about the turquoise ham plate, as the sticker partly overlaps the last few letters in the “AMATEUR RADIO OPERATOR” legend. My solution is to use a paper cutter to VERY carefully trim a little more than a sixteenth of an inch off both the top and bottom of the sticker before removing its protective backing.

Accompanying this article are several photos which illustrate the evolution of New Mexico’s amateur radio callsign license plates. Taking into account all the format and color changes, there have been no fewer than 24 different variations in the sixty years that these plates have been available.

If you don’t currently have a ham radio callsign license plate for your car or pickup, the procedure to get one is exceptionally simple. Start by downloading an MVD application form 10200 from the N.M. Motor Vehicle Division web site at: <http://www.mvd.newmexico.gov/SiteCollectionDocuments/assets/mvd10200.pdf>

Fill out the form, attach a photocopy of your current FCC ham license, a photocopy of your current vehicle registration, and a check for \$5. Specify whether you want a traditional yellow plate, or the new turquoise plate. (The form on the web site has not been updated since before the introduction of the turquoise plates, and it offers a selection of only the yellow or the balloon plate. My understanding is that the balloon plates are no longer available,

but you can select “yellow,” or write in “Turquoise” at that point, your request will be honored.)

Mail everything to the address given on the form. In four to eight weeks your shiny new amateur radio plate will arrive in the mail.

If you ever need it, you can get a brand new replacement plate for \$17 if the original becomes faded or damaged. Just write a letter to the same address given on the original form, enclose a photocopy of your current registration for the ham plate, and a check for \$17. (You do not need a copy of your FCC license for the replacement.) Emphasize in the letter that you are requesting a replacement for your AMATEUR RADIO PLATE, to avoid the possibility of being sent the wrong kind of plate. A replacement will also take four to eight weeks to arrive.

For more information on New Mexico’s ham radio license plates, contact the author at: Bill Johnston, P.O. Box 640, Organ, NM 88052-0640, e-mail: K5ZI@arrl.net or Telephone 575-382-7804.



[Return to Table of Contents](#)

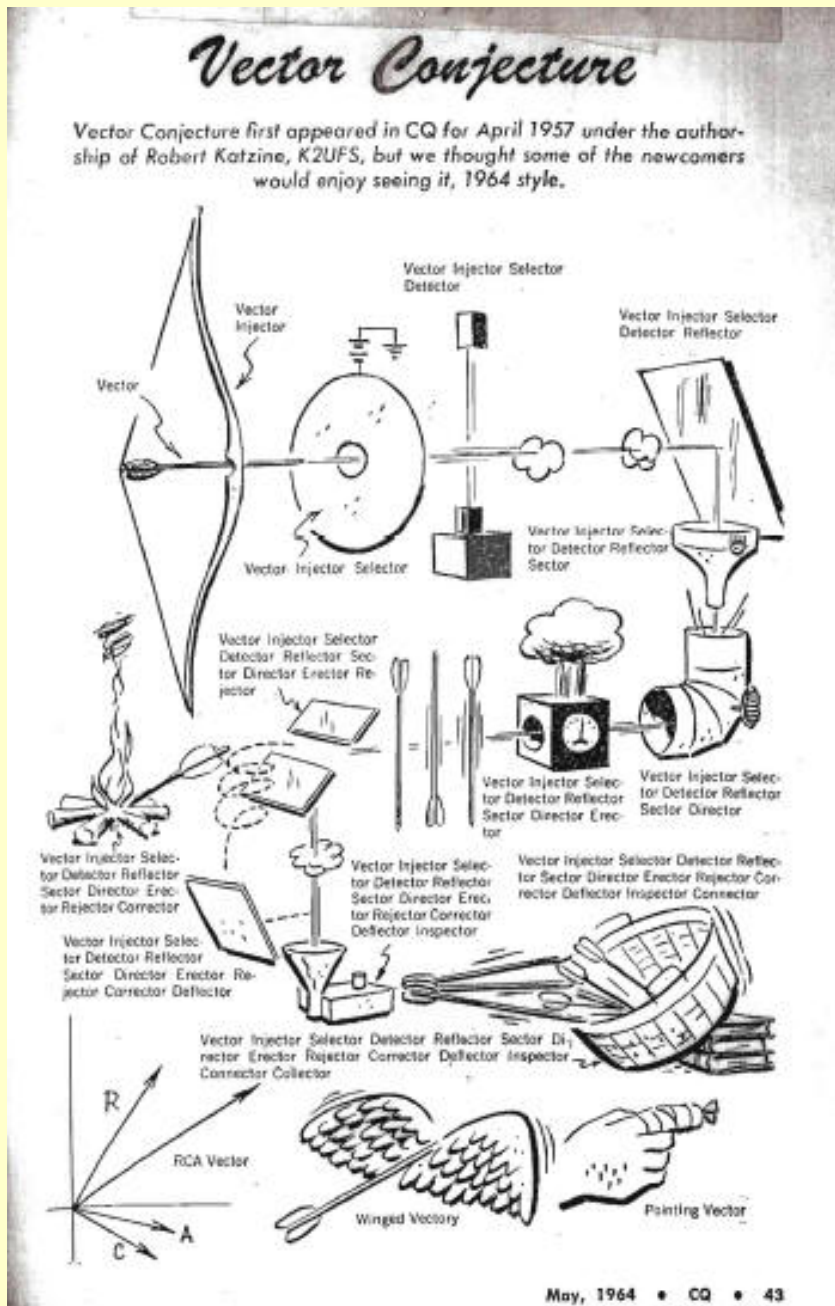
THE “DOCTOR” AND “OTHER THINGS” ARE IN  
N3OL

I am looking forward to writing this new series of monthly articles for the N5BL “Local Oscillator” newsletter. I envision it as an eclectic series of helpful informational references, hardware articles, interesting Ham Radio things of the past, etc..

Drawing inspiration from QST’ “Hints and Kinks”, “The Doctor is In”, and “It seems to Us”; I hope you enjoy it. By the way, I promise that the technical section will be fully readable by all. In this first article, while I start the researching and writing up of future subjects; let me provide a classic cartoon from CQ magazine.

“Vector Conjecture”, was first published in the April 1957 issue of CQ. It was then reprinted in May 1964. If you are as old as I am, you will at least remember that year’s events (and earlier!). Clever and funny to the general readership, it became a classic, and is reprinted from time to time, in the Ham magazines. “Vector Conjecture” makes fun of an engineering math tool, in a wild Rube Goldberg way. A vector is a number like your weight, and it points in a specific direction. For example, your weight points downward, by gravity; and that’s why you are held to the ground. Weight is a vector. The “Winged Vectory” refers to an expression popular in WWII, and the “Pointing vector” makes fun of an odd coincidence. In the early 20th century, when radio theory was young and in development; Dr. Poynting of the Univ. of MA wrote a formula for the direction of RF power. So “Poynting Vector Power”, describes the “Pointing” of a particular kind of “pointed vector”!.

With credit given to CQ magazine and Robert Katzine K2UFS; find “Vector Conjecture” below.





[Return to Table of Contents](#)

UNCLASIFIED ADS

**WANTED:** New Mexico Ham Radio License Plates, all years. Especially need 1959-1964, inclusive, plus 1976, 1977, 1983, 1984, 1986, 1987, 1989, and 2000. Will buy or trade. Bill Johnston, K5ZI, P.O. Box 640, Organ, NM 88052-0640. Tel. 575-382-7804, e-mail: [K5ZI@arrl.net](mailto:K5ZI@arrl.net)

**WANTED:** Does anyone have a Heathkit HD-1250 Dip Meter that they'd sell?  
Joe Gray W5JG

**FOR SALE:** [I have these Items up for sale](#)

- 1 AC/DC battery charger and Battery for Yaseu VX-2/3 15.00
- MFJ 662 simplex rpttr with vx 7 cables 50.00
- MFJ 1251 Universal Microphone Adapter 15.00
- Rigblaster Digi interface unit 30.00

Call Gary Gail WD8AJJ 575-680-2662

**FOR SALE:** Kenwood TS 440S Asking \$420.00 Jim, KF5CZG

[Return to Table of Contents](#)

TREASURER'S REPORT  
WB4AEJ

# Mesilla Valley Radio Club

## 2011 Budget Through March 31

| INCOME | 2011 BUDGET | 2011 ACTUAL YTD |
|--------|-------------|-----------------|
|        |             |                 |

|                           |                     |                     |
|---------------------------|---------------------|---------------------|
| Bean Feed                 | \$500.00            | \$0.00              |
| Breakfast & Drinks        | \$600.00            | \$245.32            |
| Contributions             | \$500.00            | \$389.10            |
| Dues 2011                 | \$2,100.00          | \$2,015.00          |
|                           | (60 paying members) | (64 paying members) |
| Equipment Sales & Raffles | \$1,600.00          | \$0.00              |
| Other                     | \$400.00            | \$0.00              |
| <b>TOTAL</b>              | <b>\$5,700.00</b>   | <b>\$2,649.42</b>   |

| <b>EXPENSES</b>         | <b>2011 BUDGET</b> | <b>2011 ACTUAL YTD</b> |
|-------------------------|--------------------|------------------------|
| Bean Feed               | \$400.00           | \$0.00                 |
| Breakfast & Drinks      | \$600.00           | \$69.03                |
| Clubhouse               | \$500.00           | \$0.00                 |
| N5BL Domain Due 09 2016 | \$25.00            | \$22.07                |
| Field Day               | \$100.00           | \$0.00                 |
| Insurance               | \$1,050.00         | \$0.00                 |
| Miscellaneous           | \$100.00           | \$77.30                |
| NM Tax Exempt Fee       | \$10.00            | \$10.00                |
| P. O. Box Rent          | \$70.00            | \$0.00                 |
| Postage                 | \$75.00            | \$30.20                |
| Property Tax            | \$1,100.00         | \$0.00                 |

|                      |                   |                 |
|----------------------|-------------------|-----------------|
| Repeater Maintenance | \$465.00          | \$208.05        |
| Electricity          | \$500.00          | \$118.75        |
| Propane              | \$450.00          | \$0.00          |
| Water                | \$175.00          | \$40.17         |
| <b>TOTAL</b>         | <b>\$5,620.00</b> | <b>\$575.57</b> |

| <b>CLASS INCOME</b> |  | <b>AMOUNT</b>     |
|---------------------|--|-------------------|
| Course Fees         |  | \$1,090.00        |
| Book Sold           |  | \$25.00           |
|                     |  |                   |
| <b>TOTAL</b>        |  | <b>\$1,115.00</b> |

| <b>CLASS EXPENSES</b> |  | <b>AMOUNT</b>     |
|-----------------------|--|-------------------|
| ARRL VEC (Exam Fees)  |  | \$375.00          |
| Course Books          |  | \$538.80          |
| Food                  |  | \$88.86           |
| <b>TOTAL</b>          |  | <b>\$1,002.66</b> |

| <b>Donations Categories</b>     | <b>Donation</b> | <b>Used</b> |
|---------------------------------|-----------------|-------------|
| Repeater Fund (pending review). | \$325.00        | \$0.00      |

|   |          |        |
|---|----------|--------|
| Postage Fund (for non-Internet Members) | \$50.00  | \$0.00 |
|   |          |        |
|   |          |        |
| Other                                   | \$100.00 | \$0.00 |

| <b>Bank Accounts (March 6)</b> | <b>Balance</b>     |
|--------------------------------|--------------------|
| Checking                       | \$9,059.09         |
| Savings I                      | \$1,654.80         |
| Savings II                     | \$5,393.46         |
|                                |                    |
| <b>Total</b>                   | <b>\$16,107.35</b> |

|            |  |         |
|------------|--|---------|
| Petty Cash |  | \$35.00 |
|------------|--|---------|

[Return to Table of Contents](#)

MONTHLY BUSINESS MEETING  
KD5UZF

General Meeting 3-5-11

Bob Bennett gave a presentation about Rechargeable battery packs and Alternate and Emergency power for computers.

The meeting was called to order at 10:30

An event schedule was posted as follows:

Bataan Race March 27

Tech Class March 18, 19, 20

NMQSO April 9

Bean Feed May 1

Field Day June 25-26

Note: The Tech class had 7 people and 6 passed the test. Bataan was a success. George had enough people and no one was blown away by the wind that came up.

ARES will meet quarterly. Henry reported that a Dual Band antenna was to be installed at the State police station.

We will also have stations at the dispatch centers at NMSU and MRVDA.

The Amigo link weather net is on 1st and 3rd Fridays at 9:30 am.

Communications to the El Paso weather station are on the Megalink NM Dept. of Health net at 9am on Friday.

George said there was a Horse Race in T or C in early April. He will get the exact date to us as soon as he knows. The Run Old Mesilla is in April as well and he will get us that date also.

Fred set up the Bataan Special event at the clubhouse. The final decision about the QSL card has been made. Thanks to Eldon for his photography. The card is really nice.

Our membership is growing.

Cash set up the Tech Class. The teachers this time were Cash Olsen, Bob Bennett, Melanie Jack and Dave Hassall. We loaned the books to the students in order to keep the cost low. The books were available at a cost of \$30.00.

You can find the Builders Group at Builders @N5BL.org

Inter-agency first responders frequencies can be found at [www.safecoprogram.gov/safecom/NIFOG](http://www.safecoprogram.gov/safecom/NIFOG)

Terry needs to know how many are attending the QSO Party on April 16-17. Please RSVP by e-mail.

He would like volunteers to help with the Saturday preparation for the Bean Feed, help serving on Sunday and clean-up afterwards.

There is going to be a remote antenna for the Field Day. He will also look into getting a porta-potty.

There will be a Thirteen Colonies event on July 4.

Bob says we need your donations of equipment to sell at the Bean Feed. Things you no longer use but that are in good condition. Lets try not to have any useless items.

Australia sent a note of thanks for the dollars we sent to help rebuild their station.

Eldon donated a globe to the club for use in the radio room.

Please let us know if you want QSL cards.

Rob said that the repeaters are all up and running. We need back-up batteries for the Ashtron at Twin Peaks.

We now have an APRS IGATE in Las Cruces, one at Caballo, and two at Twin Peaks

We have digital access at Brad Seco's.

The APRS digipeater at Dave Hassall is looking for a new home. If you are interested , please let him know.

11:15 the meeting adjourned.

[Return to Table of Contents](#)

## MONTHLY BOARD MEETING KKD5UZF

Board Meeting 3-9-11

Call to order at 7:08 pm

Present were:

Terry AE5XI (ex. KF5DNS), Bob AD5LJ, Alex K5XY, Henry AD5FE, Rob KE5OFK, Cash KD5SSJ,

Melanie KD5UZF, George KD5OHA, VernWV5N

Old Business:

The commercial license was discussed. Alex Burr made the following motion: While the club does not consider the offering of commercial radio license testing to be part of the program of the club, it encourages any member who desires to offer this service to do so and it will be pleased to offer such facilities as may be useful in such a project. The motion was seconded by Bob Bennett and carried.

The May program will possibly be about Maritime licensing given by Fred Atkinson. If he is unable Henry Schotzko will present a Power Point program on ARES/RACES.

New Business: Alex has requested that the articles and minutes for the newsletter be in PDF format. He has received no objections to the PDF format or lack of text. HE NEEDS ARTICLE FOR THE NEWSLETTER!!!

Henry said that things are quiet. The 911 dial center, State Police and NMSU center are getting dual-band antennas. There will be training for the operators. The ARES team ID will show the level of training and where the operator is allowed to be.

George said the Horse Race may be moved to sometime in the fall.

We have had a few donations for the Bean Feed including a couch, a Yaesu, and CB's from Bea Johnson.

Vern said that batteries are in place. There is a limited charger for the Astron – Micor repeater.

Terry needs RSVP for the QSO Party on April 9. It will be from 8am until 8pm.

He also need volunteers for the Bean Feed. The meal will be served around 10:30 or 11am.

WE have access to 20x30 shelter with walls to use for Digital/PSK in the lot across the street for Field Day. Do we want to serve food at the end of the day.

The Rocky Mountain Hamfest is in Taos this year,

Robert is talking to the Hatch mayor about attending the Field Day event this year.

Cash is being a great help to me by updating the calendar.

We adjourned at 8:23 pm.

[Return to Table of Contents](#)

## CLUB INFORMATION

The MVRC Clubhouse is located at the intersection of Wilt and Jefferson in Hacienda Heights. To find the clubhouse, set your destination on your GPS receiver as 32 degrees 22.961 minutes and -106 degrees 41.44 minutes. If you don't own a gps, take the Porter exit on US 70. It is about 5 miles from the I 25 interchange, near the firehouse. Almost immediately south of the south frontage road on the south side of US 70, turn left toward the mountains until you come to Wilt. Turn right. There is a jog in the road, but at 0.35 miles you should come to Jefferson. If you can't see the tower and beam, you shouldn't be driving. The treasurer would be delighted to receive your contribution for landscaping and furnishing.



## Officers

| Office        | Name           | Call   | Phone        | E-Mail   |
|---------------|----------------|--------|--------------|--|
| President     | Robert Truitt  | KE5OFK | 649-4173     | <a href="mailto:robtruitt@zianet.com">robtruitt@zianet.com</a>                     |
| Secretary     | Melanie Jack   | KD5UZF | 202-3363     | <a href="mailto:thedragon@melaniestonejack.com">thedragon@melaniestonejack.com</a> |
| Treasurer     | Fred Atkinson  | WB4AEJ | 526-2541     | <a href="mailto:fred@wb4aej.com">fred@wb4aej.com</a>                               |
| Board Members |                |        |              |  |
|               | Terry Angle    | AE5XI  | 640-9669     | <a href="mailto:kf5dns@gmail.com">kf5dns@gmail.com</a>                             |
|               | Bob Bennett    | AD5LJ  | 382-0148     | <a href="mailto:rpbennett1@comcast.net">rpbennett1@comcast.net</a>                 |
|               | Alex. Burr     | K5XY   | 522-2528     | <a href="mailto:k5xy@arrl.net">k5xy@arrl.net</a>                                   |
|               | Cash Olsen     | KD5SSJ | 382-1917     | <a href="mailto:kd5ssj@arrl.net">kd5ssj@arrl.net</a>                               |
|               | Henry Schotzko | AD5FE  | 526-1922     | <a href="mailto:schotzko@comcast.net">schotzko@comcast.net</a>                     |
|               | Vern Vondeeder | WV5N   | 510-909-0069 | <a href="mailto:vern@wv5n.com">vern@wv5n.com</a>                                   |

The newsletter is always looking for articles and notes of interest to the members of the Mesilla Valley Radio Club. Please send them to Alex. F. Burr, K5XY, Editor, MVRC Local Oscillator, 695 Stone Canyon Drive, Las Cruces, NM 88011. Small personal ads from members will also be published. It would be helpful if submissions would be made in a machine readable form. Windows readable disks are welcome. Files can also be sent to the Internet address [k5xy@arrl.net](mailto:k5xy@arrl.net). The club maintains a web site at <http://www.n5bl.org>

### JOIN THE CLUB

To join the Mesilla Valley Radio Club, renew your membership, or to support the repeaters, please print, cut out, and complete the form below. Send it with dues (\$35 single, \$45 family per year, add \$10 to receive the newsletter by US mail instead of e-mail) to: Treasurer, MVRC, Box 1443, Las Cruces, NM 88004.



|   |  |
|---|--|
| MESILLA VALLEY RADIO CLUB<br>CALL SIGN(S) _____ FAMILY _____<br>_____<br>LIC CLASS (E, A, G, T, N) _____<br>ARRL (Y/N) _____<br>ARRL VE (Y/N) _____<br>Would you like to be added to the MVRC reflector? _____<br>NAME _____  |  |
| EMAIL _____   |  |
| STREET ADDRESS _____<br>_____   |  |
| CITY & ZIP _____ PHONE _____<br>(OPTIONAL)<br>INTERESTS – Computer __ Contests __ Digital __ Elmer __ Emergency Communications __<br>Field Day __<br>Packet __ Programs __ Public Service __ Publicity __ RFI __ Repeater __ Social __ Take License<br>Classes __<br>Teach License Classes __ Volunteer Examiner __ Other _____ |  |
| SINGLE \$35 FAMILY \$45   |  |

[Return to home page](#)

[Return to Local Oscillator first page](#)

[Return to N5BL home page](#)