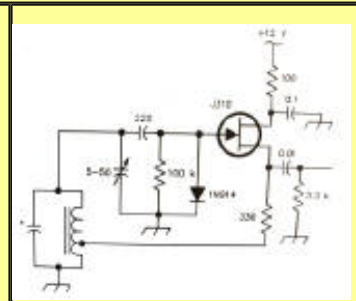


2011

Local Oscillator



March

Mesilla Valley Radio Club

A [pdf file](#) of this issue is available. It should print fairly easily. If you do not have the free pdf file reader, go to <http://www.adobe.com>

Coming Events

Table of Contents

Date	Event	Time
M - F	6 m FM net 52.540	6:00AM
T, T	Informal Wal-Mart (E)	10:00AM
M, W, F	Informal Wal-Mart (W)	10:00AM
Mon	WTRA Swap net 146.88	8 PM
Wed	Net 146.64	6:45PM
March 1	Builders Group - Club House	7 PM
March 5	Breakfast - Club House	8 AM
March 5	Business meet - Club House	9 AM
March 9	Board meet - Club House	7 PM
March 15	Builders Group - Club House	7 PM
May 1	Bean Feed - Club House	
	for more events see http://www.n5bl.org/calendar	

- COMING EVENTS
- TABLE OF CONTENTS
- [MARCH PROGRAM](#)
- [MARCH CLASS](#)
- [MONTHLY COLUMN](#)
- [UNCLASSIFIED](#)
- [BUDGET](#)
- [MONTHLY BUSINESS MEETING](#)
- [MONTHLY BOARD MEETING](#)
- [BACK PAGE](#)

Mesilla Valley Radio Club

2011 Budget Through February 28

INCOME	2011 BUDGET	2011 ACTUAL YTD
Bean Feed	\$500.00	\$0.00
Breakfast & Drinks	\$600.00	\$143.40
Contributions	\$500.00	\$388.10
Dues 2011	\$2,100.00 (60 paying members)	\$1,900.00
Equipment Sales & Raffles	\$1,600.00	\$0.00
Other	\$400.00	\$0.00
TOTAL	\$5,700.00	\$2,431.50

EXPENSES	2011 BUDGET	2011 ACTUAL YTD
Bean Feed	\$400.00	\$0.00
Breakfast & Drinks	\$600.00	\$69.03
Clubhouse	\$500.00	\$0.00
N5BL Domain Due 09 2016	\$25.00	\$22.07
Field Day	\$100.00	\$0.00
Insurance	\$1,050.00	\$0.00
Miscellaneous	\$100.00	\$34.39
NM Tax Exempt Fee	\$10.00	\$10.00
P. O. Box Rent	\$70.00	\$0.00
Postage	\$75.00	\$30.20
Property Tax	\$1,100.00	\$0.00
Repeater Maintenance	\$465.00	\$208.05
Electricity	\$500.00	\$39.57
Propane	\$450.00	\$0.00
Water	\$175.00	\$26.53
TOTAL	\$5,620.00	\$439.84

CLASS INCOME	AMOUNT
Course Fees	\$810.00
TOTAL	\$810.00

CLASS EXPENSES	AMOUNT
ARRL VEC (Exam Fees)	\$270.00
Course Books	\$201.90
Food	\$88.86
TOTAL	\$491.36

Donations Categories	Donation	Used
Repeater Fund	\$325.00	
Postage Fund (for non-Internet Members)	\$50.00	
Other	\$100.00	



Tech Class

Southwest Antennas & Accessories

more information at <http://swantenna.com>

The space below is used for acknowledgements and maintaining the site.
Send comments, suggestions, and requests to [Alex. F. Burr](mailto:aburr@qzxservices.com) or send e-mail to aburr@qzxservices.com.
Technical assistance, net access, design, and maintenance provided by qzxservices.com

THE ARTICLES FOR THIS MONTH

MARCH PROGRAM

KD5SSJ

The speaker for the March meeting is Bob Bennett and the subject is: Rebuilding Rechargeable Battery Packs. This should be a useful talk as most battery packs are expensive and the components are cheap.

[Return to Table of Contents](#)

MARCH CLASS

KD5SSJ

A Technician Class has been scheduled for March 18 - 20, 2011. See description of class, attached. The schedule will begin on Friday evening March 18, 6:00pm until 8:30pm (an introduction to Amateur Radio); and continue on Saturday March 19, 8:00am until 4:30pm (with lunch break); and concludes on March 20, 8:00am until 12:00noon. Following the class, on Sunday March 20 the FCC examination will start at 1:00pm.

The cost of tuition is \$35, which includes:

1. use of the manual (the manual can be purchased, at cost (about \$30), if you would like to keep the manual),
2. lunch on Saturday and snacks all three days,
3. and the \$15 examination fee.

Practice examines will be scheduled during the class to give the student exposure to the questions that will be found on the 35 question FCC exam which is administered by Volunteer Examiners on Sunday. The examination usually takes the well prepared student about 15 to 20 minutes and you will know that you passed before you leave following the exam. Your Amateur Call Sign will be published within a couple of weeks after the testing. At that time you can begin using your new Amateur Radio privileges.

The classes and testing will be held at the Mesilla Valley Radio Club house, street address is 6609 Jefferson (see map at www.n5bl.org/clubloc.htm) located on the mesa east of Las Cruces, NM.

For additional information call at 575 382-1917 or send e-mail to radio@kd5ssj.com

MONTHLY COLUMN

N3OL

This month's [column is a pdf file](#) which can be accessed from this link. Use your back button to return here.

[Return to Table of Contents](#)

UNCLASSIFIED ADS

WANTED: New Mexico Ham Radio License Plates, all years. Especially

need 1959-1964, inclusive, plus 1976, 1977, 1983, 1984, 1986, 1987, 1989, and 2000. Will buy or trade. Bill Johnston, K5ZI, P.O. Box 640, Organ, NM 88052-0640. Tel. 575-382-7804, e-mail: K5ZI@arrl.net

FOR SALE: For the TS-50S I would like \$450, for the AT-50 I would like \$150, and for the MC-60 I would like \$75. Henry G. Schotzko AD5FE

< ad5fe@arrl.net >

[Return to Table of Contents](#)

TREASURER'S REPORT

WB4AEJ

The [2011 budget to date](#) reported here. Use your back button to return here if necessary.

[Return to Table of Contents](#)

MONTHLY BUSINESS MEETING

KD5UZF

[Return to Table of Contents](#)

MONTHLY BOARD MEETING

KD5UZF

[Return to Table of Contents](#)

CLUB INFORMATION

The MVRC Clubhouse is located at the intersection of Wilt and Jefferson in Hacienda Heights. To find the clubhouse, set your destination on your GPS receiver as 32 degrees 22.961 minutes and -106 degrees 41.44 minutes. If you don't own a gps, take the Porter exit on US 70. It is about 5 miles from the I 25 interchange, near the firehouse. Almost immediately south of the south frontage road on the south side of US 70, turn left toward the mountains until you come to Wilt. Turn right. There is a jog in the road, but at 0.35 miles you should come to Jefferson. If you can't see the tower and beam, you shouldn't be driving. The treasurer would be delighted to receive your contribution for landscaping and furnishing.



Officers

Office	Name	Call	Phone	E-Mail
President	Robert Truitt	KE5OFK	649-4173	robhtruitt@zianet.com
Secretary	Melanie Jack	KD5UZF	202-3363	thedragon@melaniestonejack.com
Treasurer	Fred Atkinson	WB4AEJ	526-2541	fred@wb4aej.com
Board Members				
	Terry Angle	KF5DNS	640-9669	kf5dns@gmail.com
	Bob Bennett	AD5LJ	382-0148	rpbennett1@comcast.net
	Alex. Burr	K5XY	522-2528	k5xy@arrl.net
	Cash Olsen	KD5SSJ	382-1917	kd5ssj@arrl.net
	Henry Schotzko	AD5FE	526-1922	schotzko@comcast.net
	Vern Vondeeder	WV5N	510-909-0069	vern@wv5n.com

The newsletter is always looking for articles and notes of interest to the members of the Mesilla Valley Radio Club. Please send them to Alex. F. Burr, K5XY, Editor, MVRC Local Oscillator, 695 Stone Canyon Drive, Las Cruces, NM 88011. Small personal ads from members will also be published. It would be helpful if submissions would be made in a machine readable form. Windows readable disks are welcome. Files can also be sent to the Internet address k5xy@arrl.net. The club maintains a web site at <http://www.n5bl.org>

JOIN THE CLUB

To join the Mesilla Valley Radio Club, renew your membership, or to support the repeaters, please print, cut out, and complete the form below. Send it with dues (\$35 single, \$45 family per year, add \$10 to receive the newsletter by US mail instead of e-mail) to: Treasurer, MVRC, Box 1443, Las Cruces, NM 88004.

MESILLA VALLEY RADIO CLUB CALL SIGN(S) _____ FAMILY _____ _____ LIC CLASS (E, A, G, T, N) _____ ARRL (Y/N) _____ ARRL VE (Y/N) _____ Would you like to be added to the MVRC reflector? _____ NAME _____	
EMAIL _____	
STREET ADDRESS _____ _____	
CITY & ZIP _____ PHONE _____ (OPTIONAL) INTERESTS – Computer __ Contests __ Digital __ Elmer __ Emergency Communications __ Field Day __ Packet __ Programs __ Public Service __ Publicity __ RFI __ Repeater __ Social __ Take License Classes __ Teach License Classes __ Volunteer Examiner __ Other _____	
SINGLE \$35 FAMILY \$45	

[Return to home page](#)

[Return to Local Oscillator first page](#)

[Return to N5BL home page](#)