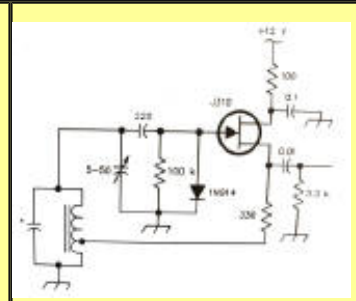


2010

# Local Oscillator



October

Mesilla Valley Radio Club

A [pdf file](#) of this issue is available. It should print fairly easily. If you do not have the free pdf file reader, go to <http://www.adobe.com>

## Coming Events

## Table of Contents

Date	Event	Time
M - F	6 m FM net 52.540	6:00AM
T, T	Informal Wal-Mart (E)	10:00AM
M, W, F	Informal Wal-Mart (W)	10:00AM
Mon	WTRA Swap net 146.88	8 PM
Wed	Net 146.64	6:45PM
Oct 2	Breakfast - Club House	8 AM
Oct 2	Business meet - Club House	9 AM
Oct 5	Builders Group - Club House	7 PM
Oct 6	Board Meeting - Club House	7 PM
Oct 19	Builders Group - Club House	7PM
Oct 30	Socorro Hamfest	
	for more events see <a href="http://www.n5bl.org/calendar">http://www.n5bl.org/calendar</a>	

[COMING EVENTS](#)  
[TABLE OF CONTENTS](#)  
[RACE COMMUNICATIONS](#)  
[MONTHLY BOARD MEETING](#)  
[MONTHLY BUSINESS MEETING](#)  
[TREASURER'S REPORT](#)  
[UNCLASSIFIED](#)  
[BACK PAGE](#)



## Field Day 6 Meter Station

**Southwest Antennas & Accessories**

more information at <http://swantenna.com>

The space below is used for acknowledgements and maintaining the site.  
Send comments, suggestions, and requests to [Alex. F. Burr](mailto:aburr@qzxservices.com) or send e-mail to [aburr@qzxservices.com](mailto:aburr@qzxservices.com).  
Technical assistance, net access, design, and maintenance provided by [qzxservices.com](http://qzxservices.com)

## THE ARTICLES FOR THIS MONTH

### RACE COMMUNICATIONS

#### KD5OHA

On September 25, many club members were present at the The Whole Enchilada Fiesta to help with communications for the one mile and 5K foot races. There was a large group for the one mile race that started at 07:30 A.M. The 5k race started at 08:00 AM.

There were 128 people in the 5K race. The last person crossed the finish line at around 08:45 AM. It was a very nice race. Thanks to George, KD5OHA, Henry, AD5FE, Jack, N5PK, Perry, KC7VHS, Dennis, KB5TPV, and Kevin, K5KMC.

Thanks to all of you. Reminder there will be no full marathon in October and no Baylor Pass run this year. The next race will be the Turkey Trot on Thanksgiving Day.

[Return to Table of Contents](#)

### MONTHLY BOARD MEETING

(not available)

### MONTHLY BUSINESS MEETING

Not available

### TREASURER'S REPORT

Not available

### UNCLASSIFIED

For Sale or trade

One HW18 heathkit [60M ] and hp23 power supply  
high voltage runs 850 V needs crystals and a mic.  
TY Mark n5dlo , 108 mona box 66 williamsburg NM.

Free

An old Toshiba laptop. Pentium 133 with 16MB RAM and 1.2GB hard drive.  
Internal CD and external floppy. Runs Windows 98, or you could load  
Linux. This would be a good computer to dedicate to a single task,  
like packet, or monitoring some equipment. Obviously, this is not  
going to run modern software.

Free to a good home. I may have another one later.

Joe Gray W5JG

[Return to Table of Contents](#)

**OFFICERS**

Pres	Vern Vonheeder	WV5N	510-909-0069	vern@wv5n.com
VPr	Cash Olsen	KD5SSJ	382-1917	kd5ssj@arrl.net
Sec	Melanie Jack	KD5UZF		
Treasurer	Fred Atkinson	WB4AEJ		fred@wb4aej.com

**BOARD**

Communications	Henry Schotzko	AD5FE	526-1922	schotzko@comcast.net
Education	Evan Salazar	KE5ZRZ		
Special Events	Terry Angle	KF5DNS	640-9669	kf5dns@gmail.com
Newsletter	Alex Burr	K5XY	522-2528	k5xy@arrl.net
Clubhouse	Bob Bennett	AD5LJ	382-0148	rpbennett1@comcast.net
Repeaters	Robert Truitt	KE5OFK	649-4173	robtruitt@zianet.com

**JOIN THE CLUB**

To join the Mesilla Valley Radio Club, renew your membership, or to support the repeaters, please complete the form below and send it with dues (\$35 single, \$45 family per year) to: Treasurer, MVRC, Box 1443, Las Cruces, NM 88004.

**MESILLA VALLEY RADIO CLUB**

CALL SIGN(S) \_\_\_\_\_ FAMILY \_\_\_\_\_

LIC CLASS (E, A, G, T, N) \_\_\_\_\_

ARRL (Y/N) \_\_\_\_\_

ARRL VE (Y/N) \_\_\_\_\_

Would you like to be added to the MVRC reflector? \_\_\_\_\_

NAME \_\_\_\_\_

EMAIL \_\_\_\_\_

STREET ADDRESS \_\_\_\_\_

CITY & ZIP \_\_\_\_\_ PHONE \_\_\_\_\_ (OPTIONAL)

INTERESTS – Computer \_\_ Contests \_\_ Digital \_\_ Elmer \_\_ Emergency Communications \_\_ Field Day

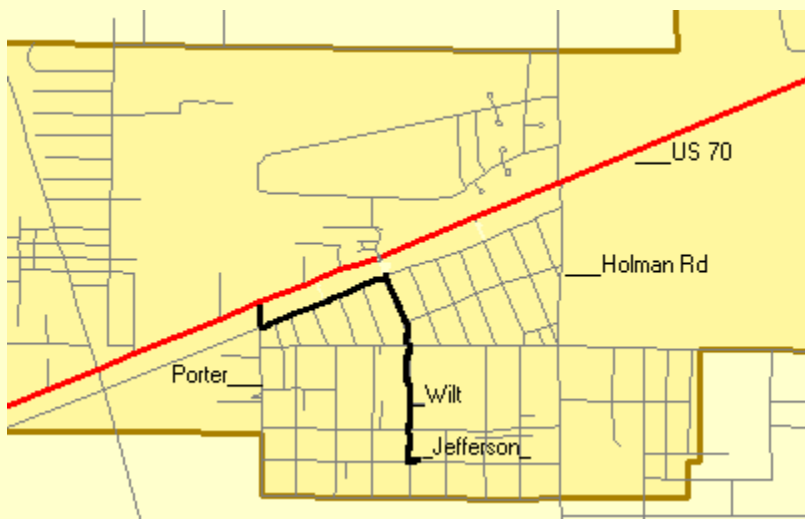
Packet \_\_ Programs \_\_ Public Service \_\_ Publicity \_\_ RFI \_\_ Repeater \_\_ Social \_\_ Take License Classes \_\_

Teach License Classes \_\_ Volunteer Examiner \_\_ Other \_\_\_\_\_

SINGLE \$35 FAMILY \$45

## CLUB INFORMATION

The MVRC Clubhouse is located at the intersection of Wilt and Jefferson in Hacienda Heights. To find the clubhouse, set your destination on your GPS receiver as 32 degrees 22.961 minutes and -106 degrees 41.44 minutes. If you don't own a gps, take the Porter exit on US 70. It is about 5 miles from the I 25 interchange, near the firehouse. Almost immediately south of the south frontage road on the south side of US 70, turn left toward the mountains until you come to Wilt. Turn right. There is a jog in the road, but at 0.35 miles you should come to Jefferson. If you can't see the tower and beam, you shouldn't be driving. The treasurer would be delighted to receive your contribution for landscaping and furnishing.



## Officers

Office	Name	Call	Phone	e-mail
President	Vern Vondeeder	WV5N	510-909-0069	<a href="mailto:vern@wv5n.com">vern@wv5n.com</a>
Vice-President	Cash Olsen	KD5SSJ	382-1917	<a href="mailto:kd5ssj@arrl.net">kd5ssj@arrl.net</a>
Secretary	Melanie Jack	KD5UZF	202-3363	
Treasurer	Fred Atkinson	WB4AEJ		<a href="mailto:fred@wb4aej.com">fred@wb4aej.com</a>
Board Members	Alex. Burr	K5XY	522-2528	<a href="mailto:k5xy@arrl.net">k5xy@arrl.net</a>
	Bob Bennett	AD5LJ	382-0148	<a href="mailto:rbennett1@comcast.net">rbennett1@comcast.net</a>
	Henry Schotzko	AD5FE		<a href="mailto:schotzko@comcast.net">schotzko@comcast.net</a>
	Terry Angle	KF5DNS	640-9669	<a href="mailto:kf5dns@gmail.com">kf5dns@gmail.com</a>
	Robert Truitt	KE5OFK	649-4173	<a href="mailto:robtruitt@zianet.com">robtruitt@zianet.com</a>
	Evan Salazar	KE5ZRZ		

The newsletter is always looking for articles and notes of interest to the members of the Mesilla Valley Radio Club. Please send them to Alex. F. Burr, K5XY, Editor, MVRC Local Oscillator, 695 Stone Canyon Drive, Las Cruces, NM 88011. Small personal ads from members will also be published. It would be helpful if submissions would be made in a machine readable form. Windows readable disks are welcome. Files can also be sent to the Internet address [k5xy@arrl.net](mailto:k5xy@arrl.net). The club maintains a web site at <http://www.n5bl.org>

### JOIN THE CLUB

To join the Mesilla Valley Radio Club, renew your membership, or to support the repeaters, please print, cut out, and complete the form below. Send it with dues (\$35 single, \$45 family per year, add \$10 to receive the newsletter by US mail instead of e-mail) to: Treasurer, MVRC, Box 1443, Las Cruces, NM 88004.

MESILLA VALLEY RADIO CLUB CALL SIGN(S) _____ FAMILY _____ _____ LIC CLASS (E, A, G, T, N) _____ ARRL (Y/N) _____ ARRL VE (Y/N) _____ Would you like to be added to the MVRC reflector? _____ NAME _____	
EMAIL _____	
STREET ADDRESS _____ _____	
CITY & ZIP _____ PHONE _____ (OPTIONAL) INTERESTS – Computer __ Contests __ Digital __ Elmer __ Emergency Communications __ Field Day __ Packet __ Programs __ Public Service __ Publicity __ RFI __ Repeater __ Social __ Take License Classes __ Teach License Classes __ Volunteer Examiner __ Other _____ SINGLE \$35 FAMILY \$45	

[Return to home page](#)

[Return to Local Oscillator first page](#)

[Return to N5BL home page](#)