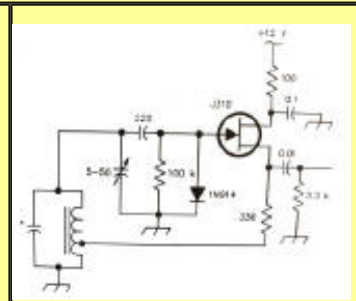


2010

# Local Oscillator



September

Mesilla Valley Radio Club

A [pdf file](#) of this issue is available. It should print fairly easily. If you do not have the free pdf file reader, go to <http://www.adobe.com>

## Coming Events

## Table of Contents

Date	Event	Time
M - F	6 m FM net 52.540	6:00AM
T, T	Informal Wal-Mart (E)	10:00AM
M, W, F	Informal Wal-Mart (W)	10:00AM
Mon	WTRA Swap net 146.88	8 PM
Wed	Net 146.64	6:45PM
Sep 4	Breakfast - Club House	8 AM
Sep 4	Business meet - Club House	9 AM
Sep 7	Builders Group - Club House	7 PM
Sep 8	Board Meeting - Club House	7 PM
Sep 21	Builders Group - Club House	7PM
Sep 04	Alamogordo, NM Hamfest	
Oct 30	Socorro Hamfest	
	for more events see <a href="http://www.n5bl.org/calendar">http://www.n5bl.org/calendar</a>	

[COMING EVENTS](#)  
[TABLE OF CONTENTS](#)  
[TICP EXERCISE](#)  
[MONTHLY BOARD MEETING](#)  
[MONTHLY BUSINESS MEETING](#)  
[TREASURER'S REPORT](#)  
[FOR SALE](#)  
[BACK PAGE](#)



**Bug**



more information at <http://swantenna.com>

The space below is used for acknowledgements and maintaining the site.  
Send comments, suggestions, and requests to [Alex. F. Burr](mailto:aburr@qzxservices.com) or send e-mail to [aburr@qzxservices.com](mailto:aburr@qzxservices.com).  
Technical assistance, net access, design, and maintenance provided by [qzxservices.com](http://qzxservices.com)

## THE ARTICLES FOR THIS MONTH

### TICP EXERCISE

AD5FE

On July 28 the Dona Ana County ARES Team took part in an exercise with the Department of Homeland Security and Emergency Management, Doña Ana County, Luna County, Grant County, and the cities of Las Cruces, Deming and Silver City to demonstrate Interoperability of Communications along the border area.

This was an exercise demonstrating the ability of multiple jurisdictions to work together using interoperable communications equipment in times of disaster, terrorism and all hazards the State of New Mexico prepares for. The exercise started with a participant briefing at 08:00 with the Ham part starting at 09:30, end-exercise came at about 13:30.

The Ham part was to demonstrate that we could communicate with all the different venues as well as the State EOC in Santa Fe. Conditions did not favor HF but VHF was no problem, using the Mega-Link, as well as local repeaters, we found that the “ARES Repeater” on Caballo Mtn. has quite good coverage.

For Dona Ana County we supported 5 different “venues” with Ham operators, this included 5 hams from the Las Cruces Team and 4 from the El Paso ARES Team. The Team members from Las Cruces that participated and where they were located are; the DAC/CLC EOC was manned by Henry Schotzko (AD5FE) and Kevin McNelis (K5KMC), in Rincon the NMSU PD Mobile Communications Unit (MCU) was supported by George Kopp (KD5OHA) and Wilson Moore (KF5EJS), the DASO MCU located on Hwy 9 was supported by Brad Sacca (KC5SKE). Supporting from the El Paso Team was; Ed Wood (KD5MFS) supported the LCFD MCU out at the Fairgrounds, Warren Beadle (KE5APX helped Brad at the Hwy 9 venue, and at the Chaparral DASO Substation venue were Lew Maxwell (KB5HPT) and Dale Colburn (KD5YBG). The hams that worked the exercise did a fine job and got “rave reviews” from the other participants, demonstrating that we can provide communications when other means have failed.

[Return to Table of Contents](#)

### MONTHLY BOARD MEETING

(not available)

### MONTHLY BUSINESS MEETING

Not available

### TREASURER'S REPORT

WB4AEJ

July Income

Breakfast & Drinks	\$15.00
Contributions	\$0.00
-----	
Total	\$15.00

## July Expenditures

Miscellaneous Items	\$6.50
Repeater	\$76.00
Electricity	\$48.26
P. O. Box	\$60.00
Water	\$14.45
-----	
Total	\$205.21

## FOR SALE

Kenwood TS-480 I am upgrading the remote base to an Elecraft K3, making my current Kenwood TS-480 available. It recently came back from Kenwood Service Center after a complete checkup and new firmware.

Contact Keith, W7DXX 526-2200

[Return to Table of Contents](#)

## OFFICERS

Pres	Vern Vonheeder	WV5N	510-909-0069	vern@wv5n.com
VPr	Cash Olsen	KD5SSJ	382-1917	kd5ssj@arrl.net
Sec	Melanie Jack	KD5UZF		
Treasurer	Fred Atkinson	WB4AEJ		fred@wb4aej.com

## BOARD

Communications	Henry Schotzko	AD5FE	526-1922	schotzko@comcast.net
Education	Evan Salazar	KE5ZRZ		
Special Events	Terry Angle	KF5DNS	640-9669	kf5dns@gmail.com
Newsletter	Alex Burr	K5XY	522-2528	k5xy@arrl.net
Clubhouse	Bob Bennett	AD5LJ	382-0148	rpbennett1@comcast.net
Repeaters	Robert Truitt	KE5OFK	649-4173	robtruitt@zianet.com

## JOIN THE CLUB

To join the Mesilla Valley Radio Club, renew your membership, or to support the repeaters, please complete the form below and send it with dues (\$35 single, \$45 family per year) to:

Treasurer, MVRC, Box 1443, Las Cruces, NM 88004.

MESILLA VALLEY RADIO CLUB

CALL SIGN(S) \_\_\_\_\_ FAMILY \_\_\_\_\_

LIC CLASS (E, A, G, T, N) \_\_\_\_\_

ARRL (Y/N) \_\_\_\_\_

ARRL VE (Y/N) \_\_\_\_\_

Would you like to be added to the MVRC reflector? \_\_\_\_\_

NAME

EMAIL

STREET ADDRESS

CITY & ZIP \_\_\_\_\_ PHONE \_\_\_\_\_ (OPTIONAL)

INTERESTS – Computer \_\_ Contests \_\_ Digital \_\_ Elmer \_\_ Emergency Communications \_\_ Field Day

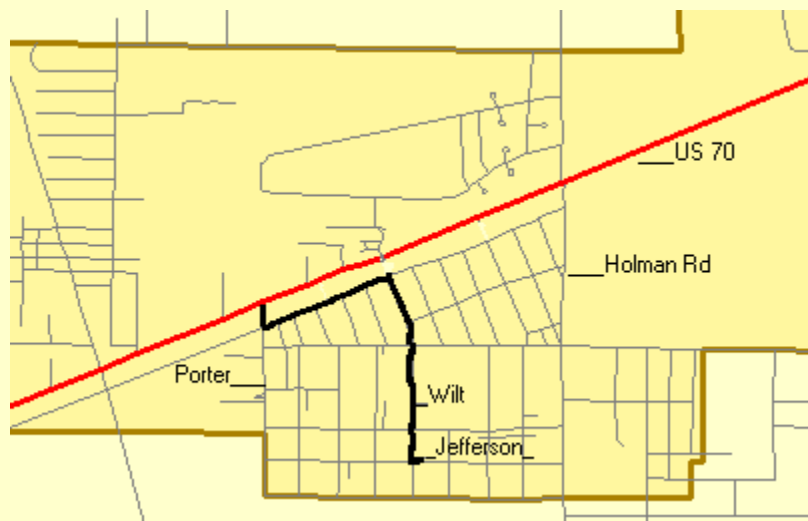
Packet \_\_ Programs \_\_ Public Service \_\_ Publicity \_\_ RFI \_\_ Repeater \_\_ Social \_\_ Take License  
Classes \_\_

Teach License Classes \_\_ Volunteer Examiner \_\_ Other \_\_\_\_\_

SINGLE \$35 FAMILY \$45

## CLUB INFORMATION

The MVRC Clubhouse is located at the intersection of Wilt and Jefferson in Hacienda Heights. To find the clubhouse, set your destination on your GPS receiver as 32 degrees 22.961 minutes and -106 degrees 41.44 minutes. If you don't own a gps, take the Porter exit on US 70. It is about 5 miles from the I 25 interchange, near the firehouse. Almost immediately south of the south frontage road on the south side of US 70, turn left toward the mountains until you come to Wilt. Turn right. There is a jog in the road, but at 0.35 miles you should come to Jefferson. If you can't see the tower and beam, you shouldn't be driving. The treasurer would be delighted to receive your contribution for landscaping and furnishing.



## Officers

Office	Name	Call	Phone	e-mail
President	Vern Vondeeder	WV5N	510-909-0069	<a href="mailto:vern@wv5n.com">vern@wv5n.com</a>
Vice-President	Cash Olsen	KD5SSJ	382-1917	<a href="mailto:kd5ssj@arrl.net">kd5ssj@arrl.net</a>
Secretary	Melanie Jack	KD5UZF	202-3363	
Treasurer	Fred Atkinson	WB4AEJ		<a href="mailto:fred@wb4aej.com">fred@wb4aej.com</a>
Board Members	Alex. Burr	K5XY	522-2528	<a href="mailto:k5xy@arrl.net">k5xy@arrl.net</a>
	Bob Bennett	AD5LJ	382-0148	<a href="mailto:rbennett1@comcast.net">rbennett1@comcast.net</a>
	Henry Schotzko	AD5FE		<a href="mailto:schotzko@comcast.net">schotzko@comcast.net</a>
	Terry Angle	KF5DNS	640-9669	<a href="mailto:kf5dns@gmail.com">kf5dns@gmail.com</a>
	Robert Truitt	KE5OFK	649-4173	<a href="mailto:robtruitt@zianet.com">robtruitt@zianet.com</a>
	Evan Salazar	KE5ZRZ		

The newsletter is always looking for articles and notes of interest to the members of the Mesilla Valley Radio Club. Please send them to Alex. F. Burr, K5XY, Editor, MVRC Local Oscillator, 695 Stone Canyon Drive, Las Cruces, NM 88011. Small personal ads from members will also be published. It would be helpful if submissions would be made in a machine readable form. Windows readable disks are welcome. Files can also be sent to the Internet address [k5xy@arrl.net](mailto:k5xy@arrl.net). The club maintains a web site at <http://www.n5bl.org>

### JOIN THE CLUB

To join the Mesilla Valley Radio Club, renew your membership, or to support the repeaters, please print, cut out, and complete the form below. Send it with dues (\$35 single, \$45 family per year, add \$10 to receive the newsletter by US mail instead of e-mail) to: Treasurer, MVRC, Box 1443, Las Cruces, NM 88004.

MESILLA VALLEY RADIO CLUB CALL SIGN(S) _____ FAMILY _____ _____ LIC CLASS (E, A, G, T, N) _____ ARRL (Y/N) _____ ARRL VE (Y/N) _____ Would you like to be added to the MVRC reflector? _____ NAME _____	
EMAIL _____	
STREET ADDRESS _____ _____	
CITY & ZIP _____ PHONE _____ (OPTIONAL) INTERESTS – Computer __ Contests __ Digital __ Elmer __ Emergency Communications __ Field Day __ Packet __ Programs __ Public Service __ Publicity __ RFI __ Repeater __ Social __ Take License Classes __ Teach License Classes __ Volunteer Examiner __ Other _____	
SINGLE \$35 FAMILY \$45	

[Return to home page](#)

[Return to Local Oscillator first page](#)

[Return to N5BL home page](#)