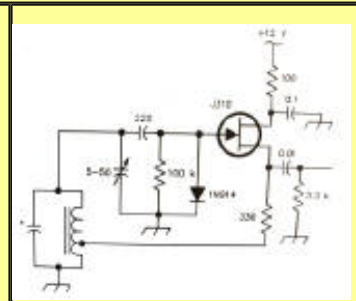


2010

Local Oscillator



August

Mesilla Valley Radio Club

A [pdf file](#) of this issue is available. It should print fairly easily. If you do not have the free pdf file reader, go to <http://www.adobe.com>

Coming Events

Table of Contents

Date	Event	Time
M - F	6 m FM net 52.540	6:00AM
T, T	Informal Wal-Mart (E)	10:00AM
M, W, F	Informal Wal-Mart (W)	10:00AM
Mon	WTRA Swap net 146.88	8 PM
Wed	Net 146.64	6:45PM
July 3	Breakfast - Club House	8 AM
July 3	Business meet - Club House	9 AM
July 6	Builders Group - Club House	7 PM
July 7	Board Meeting - Club House	7 PM
Jy 20	Builders Group - Club House	7PM
Ag 14	Duke City Hamfest, Albuquerque http://www.qsl.net/dchf/schedule.html	
Ag 21	Sun City ARC annual auction	
Se 04	Alamogordo, NM Hamfest	
	for more events see http://www.n5bl.org/calendar	

COMING EVENTS
 TABLE OF CONTENTS
[MONTHLY ARTICLES](#)
[MONTHLY BOARD MEETING](#)
[MONTHLY BUSINESS MEETING](#)
[FOR SALE](#)
[BACK PAGE](#)



Fourth of July Certificate

This is last year's. This year all were contacted

More information at <http://swantenna.com>



<http://swantenna.com>

The space below is used for acknowledgements and maintaining the site.
 Send comments, suggestions, and requests to [Alex. F. Burr](mailto:aburr@qzxservices.com) or send e-mail to aburr@qzxservices.com.
 Technical assistance, net access, design, and maintenance provided by qzxservices.com

THE ARTICLES FOR THIS MONTH

MONTHLY ARTICLES

None available

[Return to Table of Contents](#)

MONTHLY BOARD MEETING

July 7, 2010 Board Meeting Minutes
KD5UZF

Melanie Jack KD5UZF
Vern Vonheeder WV5N
Henry Schotzko AD5FE
Cash Olsen KD5SSJ
Bob Bennett AD5LJ
Fred Atkinson WB4AEJ
Alex Burr K5XY
Robert Truitt KE5OFK

Called to order at 7pm

Old business:

Henry:

Reminded us of the Region 6 preparedness exercise to be held on July 28 at the Rincon Fire Dept., which would include Deming and Silver City. There were to be demos of the remote units and EOC preparedness.

Bob:

Had information about items to be donated to the club by Bill Johnson ; also Bill's neighbor has some items. Federal Tax Status -Passed this information to Vern.

All the remaining equipment left from Dale's estate are for us to sell and the proceeds are to go to the club. No reasonable offer will be refused.

A permanent mount for a 6 meter antenna was proposed and ok'd by the board.

Ceiling fans were donated and will be mounted in the clubhouse.

Cash:

A 16th key to the club house was made. If you have a key that you are not currently using on a regular basis, please return it to the Vice President.

Rob:
Modifications have been and are continuing to be made at Caballo.

Alex:
We reached all 13 Colonies thanks to Fred.

Cash moved to adjourn and Melanie seconded and we closed at 8:04 pm
[Return to Table of Contents](#)

MONTHLY BUSINESS MEETING
Not available
[Return to Table of Contents](#)

FOR SALE
Computer: Intel Core 2 Quad @ 2.4 GHz <----- Note this is a quad core
8GB DDR2 800 memory
200GB SATA 2 hard drive
Nvidia GeForce 8600 GTS PCI Express card with 256MB GDDR3
For more detailed specs, email me. I just built a new PC, so this was
my previous PC. Joe Gray W5JG
[Return to Table of Contents](#)

OFFICERS

Pres	Vern Vonheeder	WV5N	510-909-0069	vern@wv5n.com
VPr	Cash Olsen	KD5SSJ	382-1917	kd5ssj@arrl.net
Sec	Melanie Jack	KD5UZF		
Treasurer	Fred Atkinson	WB4AEJ		fred@wb4aej.com

BOARD

Communications	Henry Schotzko	AD5FE	526-1922	schotzko@comcast.net
Education	Evan Salazar	KE5ZRZ		
Special Events	Terry Angle	KF5DNS	640-9669	kf5dns@gmail.com
Newsletter	Alex Burr	K5XY	522-2528	k5xy@arrl.net
Clubhouse	Bob Bennett	AD5LJ	382-0148	rpbennett1@comcast.net
Repeaters	Robert Truitt	KE5OFK	649-4173	robtruitt@zianet.com

JOIN THE CLUB

To join the Mesilla Valley Radio Club, renew your membership, or to support the repeaters, please complete the form below and

send it with dues (\$35 single, \$45 family per year) to:
Treasurer, MVRC, Box 1443, Las Cruces, NM 88004.

MESILLA VALLEY RADIO CLUB

CALL SIGN(S) _____ FAMILY _____

LIC CLASS (E, A, G, T, N) _____

ARRL (Y/N) _____

ARRL VE (Y/N) _____

Would you like to be added to the MVRC reflector? _____

NAME

EMAIL

STREET ADDRESS

CITY & ZIP _____ PHONE _____ (OPTIONAL)

INTERESTS – Computer __ Contests __ Digital __ Elmer __ Emergency Communications __ Field Day

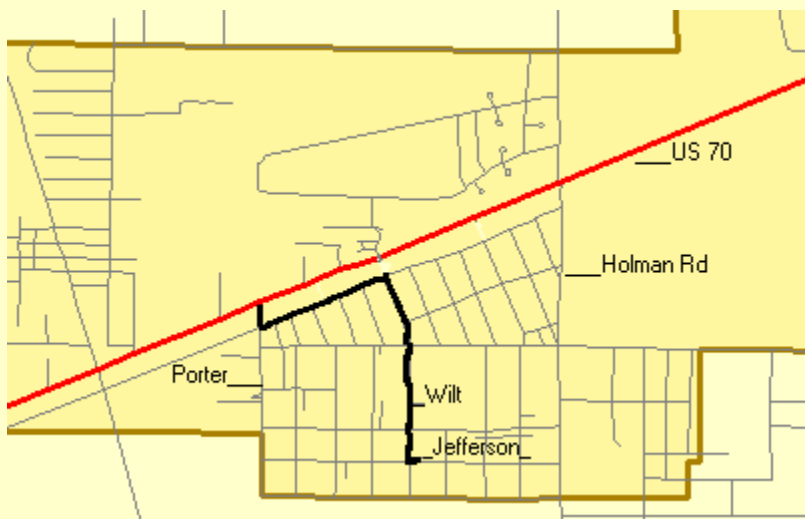
Packet __ Programs __ Public Service __ Publicity __ RFI __ Repeater __ Social __ Take License
Classes __

Teach License Classes __ Volunteer Examiner __ Other _____

SINGLE \$35 FAMILY \$45

CLUB INFORMATION

The MVRC Clubhouse is located at the intersection of Wilt and Jefferson in Hacienda Heights. To find the clubhouse, set your destination on your GPS receiver as 32 degrees 22.961 minutes and -106 degrees 41.44 minutes. If you don't own a gps, take the Porter exit on US 70. It is about 5 miles from the I 25 interchange, near the firehouse. Almost immediately south of the south frontage road on the south side of US 70, turn left toward the mountains until you come to Wilt. Turn right. There is a jog in the road, but at 0.35 miles you should come to Jefferson. If you can't see the tower and beam, you shouldn't be driving. The treasurer would be delighted to receive your contribution for landscaping and furnishing.



Officers

Office	Name	Call	Phone	e-mail
President	Vern Vondeeder	WV5N	510-909-0069	vern@wv5n.com
Vice-President	Cash Olsen	KD5SSJ	382-1917	kd5ssj@arrl.net
Secretary	Melanie Jack	KD5UZF	202-3363	
Treasurer	Fred Atkinson	WB4AEJ		fred@wb4aej.com
Board Members	Alex. Burr	K5XY	522-2528	k5xy@arrl.net
	Bob Bennett	AD5LJ	382-0148	rbennett1@comcast.net
	Henry Schotzko	AD5FE		schotzko@comcast.net
	Terry Angle	KF5DNS	640-9669	kf5dns@gmail.com
	Robert Truitt	KE5OFK	649-4173	robtruitt@zianet.com
	Evan Salazar	KE5ZRZ		

The newsletter is always looking for articles and notes of interest to the members of the Mesilla Valley Radio Club. Please send them to Alex. F. Burr, K5XY, Editor, MVRC Local Oscillator, 695 Stone Canyon Drive, Las Cruces, NM 88011. Small personal ads from members will also be published. It would be helpful if submissions would be made in a machine readable form. Windows readable disks are welcome. Files can also be sent to the Internet address k5xy@arrl.net. The club maintains a web site at <http://www.n5bl.org>

JOIN THE CLUB

To join the Mesilla Valley Radio Club, renew your membership, or to support the repeaters, please print, cut out, and complete the form below. Send it with dues (\$35 single, \$45 family per year, add \$10 to receive the newsletter by US mail instead of e-mail) to: Treasurer, MVRC, Box 1443, Las Cruces, NM 88004.

MESILLA VALLEY RADIO CLUB CALL SIGN(S) _____ FAMILY _____ _____ LIC CLASS (E, A, G, T, N) _____ ARRL (Y/N) _____ ARRL VE (Y/N) _____ Would you like to be added to the MVRC reflector? _____ NAME _____	
EMAIL _____	
STREET ADDRESS _____ _____	
CITY & ZIP _____ PHONE _____ (OPTIONAL) INTERESTS – Computer __ Contests __ Digital __ Elmer __ Emergency Communications __ Field Day __ Packet __ Programs __ Public Service __ Publicity __ RFI __ Repeater __ Social __ Take License Classes __ Teach License Classes __ Volunteer Examiner __ Other _____	
SINGLE \$35 FAMILY \$45	

[Return to home page](#)

[Return to Local Oscillator first page](#)

[Return to N5BL home page](#)