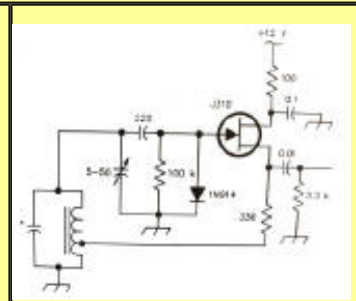


2010

Local Oscillator



July

Mesilla Valley Radio Club

A [pdf file](#) of this issue is available. It should print fairly easily. If you do not have the free pdf file reader, go to <http://www.adobe.com>

Coming Events

Table of Contents

Date	Event	Time
M - F	6 m FM net 52.540	6:00AM
T, T	Informal Wal-Mart (E)	10:00AM
M, W, F	Informal Wal-Mart (W)	10:00AM
Mon	WTRA Swap net 146.88	8 PM
Wed	Net 146.64	6:45PM
July 3	Breakfast - Club House	8 AM
July 3	Business meet - Club House	9 AM
July 6	Builders Group - Club House	7 PM
July 7	Board Meeting - Club House	7 PM
Jy 20	Builders Group - Club House	7PM
Ag 14	Duke City Hamfest, Albuquerque http://www.qsl.net/dchf/schedule.html	
Ag 21	Sun City ARC annual auction	
Se 04	Alamogordo, NM Hamfest	
	for more events see http://www.n5bl.org/calendar	

COMING EVENTS
 TABLE OF CONTENTS
[FIELD DAY](#)
[FOR SALE](#)
[BACK PAGE](#)



Field Day WITH **KD5ZHD** AND **KD5SSF**

More information at <http://swantenna.com>

Southwest Antennas & Accessories

<http://swantenna.com>

The space below is used for acknowledgements and maintaining the site.
Send comments, suggestions, and requests to [Alex. F. Burr](mailto:aburr@qzxservices.com) or send e-mail to aburr@qzxservices.com.
Technical assistance, net access, design, and maintenance provided by qzxservices.com

THE ARTICLES FOR THIS MONTH

FIELD DAY 2010

The club had a very successful field day at the club house at the end of June. It was run from the club house under emergency power tanks to a 4.4 KW generator provided by KD5SSJ. Extra antennas for 40m and 6m were put up. The operating started promptly at noon Saturday with 6m open.

It is not hard to tell why this Field Day was so successful. It was low key, friendly, had good operating opportunities, good food, and pleasant surroundings, all with not much effort on the part of the general membership. However there were lots of efforts by a few people under the general management of AD5LJ, despite his broken leg.

The hum of the emergency power generator showed that hams were having a good time. The HF operating position was busy with lots of opportunity for novice and veteran operators. The 6m operations took advantage of the intermittent openings. The PSK31 station provided opportunities to experience a new and different mode of operation. That station, provided by KI5FJ, was ingeniously packaged and very effective. The positions were efficient and well designed. They included the usual workable ham kludges particularly the power to the 6m station. The energy was provided by a diesel generator, going to a battery charger, to a battery, to an AC inverter to a DC power supply before arriving at the 6m transceiver (where it was turned in t RF and sent out though a 5 element beam).

Food was available all day. Nachos, beans, sweet rolls and coffee were supplied until hot dogs and other food became available about 5:30PM.

As many as 10 people at a time were at the club house. It was stated that the results have already been sent in to the ARRL, but nobody could send in the enjoyment of the day, which cannot be transmitted. The table below shows the printable results of this year's Field Day with the previous year's data provided by KI5FJ.

Year	Class	Score	QSO points	Participants
2010	3E	1637	564	14
2009	2E	1914	695	16
2008	2D	538	262	24

2007	2A	1372	343	28
2006	2A	2248	449	25
2005	No Submission			
2004	2A	2018	533	21
2003	No Submission			
2002	2E	212	73	15

[Return to Table of Contents](#)

FOR SALE

1992 Pathfinder SUV - Would make an excellent emergency response vehicle. Good for ham camping. Wired for ham use, with antennas. 4WD, air, stick shift, tow package, good running condition. \$1900. If not sold by July 10 will strip the ham wiring and try for general sale. Can be seen at 695 Stone Canyon Drive.

Alex Burr K5XY 522-2528 k5xy@arrl.net.

[Return to Table of Contents](#)

Monthly Business Meeting

Not available

[Return to Table of Contents](#)

OFFICERS

Pres	Vern Vonheeder	WV5N	510-909-0069	vern@wv5n.com
VPr	Cash Olsen	KD5SSJ	382-1917	kd5ssj@arrl.net
Sec	Melanie Jack	KD5UZF		
Treasurer	Fred Atkinson	WB4AEJ		fred@wb4aej.com

BOARD

Communications	Henry Schotzko	AD5FE	526-1922	schotzko@comcast.net
Education	Evan Salazar	KE5ZRZ		
Special Events	Terry Angle	KF5DNS	640-9669	kf5dns@gmail.com
Newsletter	Alex Burr	K5XY	522-2528	k5xy@arrl.net
Clubhouse	Bob Bennett	AD5LJ	382-0148	rpbennett1@comcast.net
Repeaters	Robert Truitt	KE5OFK	649-4173	robtruitt@zianet.com

JOIN THE CLUB

To join the Mesilla Valley Radio Club, renew your membership, or to support the repeaters, please complete the form below and send it with dues (\$35 single, \$45 family per year) to:

Treasurer, MVRC, Box 1443, Las Cruces, NM 88004.

MESILLA VALLEY RADIO CLUB

CALL SIGN(S) _____ FAMILY _____

LIC CLASS (E, A, G, T, N) _____

ARRL (Y/N) _____

ARRL VE (Y/N) _____

Would you like to be added to the MVRC reflector? _____

NAME

EMAIL

STREET ADDRESS

CITY & ZIP _____ PHONE _____ (OPTIONAL)

INTERESTS – Computer __ Contests __ Digital __ Elmer __ Emergency Communications __ Field Day

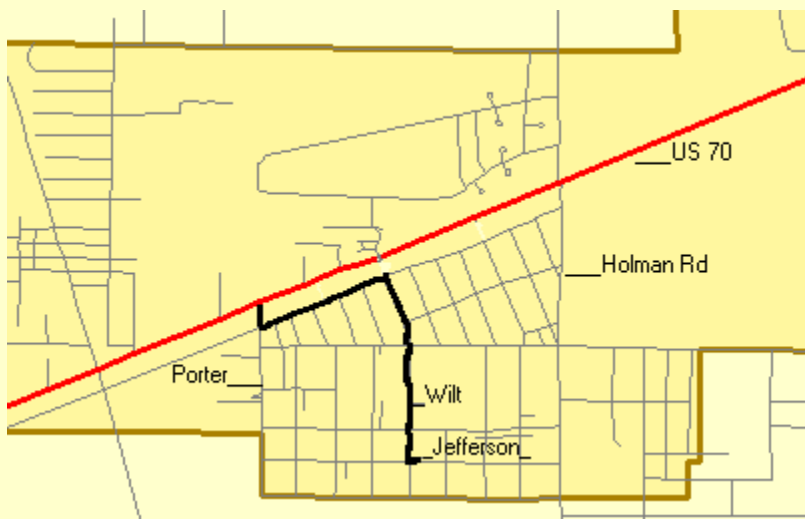
Packet __ Programs __ Public Service __ Publicity __ RFI __ Repeater __ Social __ Take License Classes __

Teach License Classes __ Volunteer Examiner __ Other _____

SINGLE \$35 FAMILY \$45

CLUB INFORMATION

The MVRC Clubhouse is located at the intersection of Wilt and Jefferson in Hacienda Heights. To find the clubhouse, set your destination on your GPS receiver as 32 degrees 22.961 minutes and -106 degrees 41.44 minutes. If you don't own a gps, take the Porter exit on US 70. It is about 5 miles from the I 25 interchange, near the firehouse. Almost immediately south of the south frontage road on the south side of US 70, turn left toward the mountains until you come to Wilt. Turn right. There is a jog in the road, but at 0.35 miles you should come to Jefferson. If you can't see the tower and beam, you shouldn't be driving. The treasurer would be delighted to receive your contribution for landscaping and furnishing.



Officers

Office	Name	Call	Phone	e-mail
President	Vern Vondeeder	WV5N	510-909-0069	vern@wv5n.com
Vice-President	Cash Olsen	KD5SSJ	382-1917	kd5ssj@arrl.net
Secretary	Melanie Jack	KD5UZF	202-3363	
Treasurer	Fred Atkinson	WB4AEJ		fred@wb4aej.com
Board Members	Alex. Burr	K5XY	522-2528	k5xy@arrl.net
	Bob Bennett	AD5LJ	382-0148	rbpennett1@comcast.net
	Henry Schotzko	AD5FE		schotzko@comcast.net
	Terry Angle	KF5DNS	640-9669	kf5dns@gmail.com
	Robert Truitt	KE5OFK	649-4173	robtruitt@zianet.com
	Evan Salazar	KE5ZRZ		

The newsletter is always looking for articles and notes of interest to the members of the Mesilla Valley Radio Club. Please send them to Alex. F. Burr, K5XY, Editor, MVRC Local Oscillator, 695 Stone Canyon Drive, Las Cruces, NM 88011. Small personal ads from members will also be published. It would be helpful if submissions would be made in a machine readable form. Windows readable disks are welcome. Files can also be sent to the Internet address k5xy@arrl.net. The club maintains a web site at <http://www.n5bl.org>

JOIN THE CLUB

To join the Mesilla Valley Radio Club, renew your membership, or to support the repeaters, please print, cut out, and complete the form below. Send it with dues (\$35 single, \$45 family per year, add \$10 to receive the newsletter by US mail instead of e-mail) to: Treasurer, MVRC, Box 1443, Las Cruces, NM 88004.

<p>MESILLA VALLEY RADIO CLUB CALL SIGN(S) _____ FAMILY _____ _____ LIC CLASS (E, A, G, T, N) _____ ARRL (Y/N) _____ ARRL VE (Y/N) _____ Would you like to be added to the MVRC reflector? _____ NAME _____</p>	
<p>EMAIL _____</p>	
<p>STREET ADDRESS _____</p>	
<p>CITY & ZIP _____ PHONE _____ (OPTIONAL) INTERESTS – Computer __ Contests __ Digital __ Elmer __ Emergency Communications __ Field Day __ Packet __ Programs __ Public Service __ Publicity __ RFI __ Repeater __ Social __ Take License Classes __ Teach License Classes __ Volunteer Examiner __ Other _____ SINGLE \$35 FAMILY \$45</p>	

[Return to home page](#)

[Return to Local Oscillator first page](#)

[Return to N5BL home page](#)