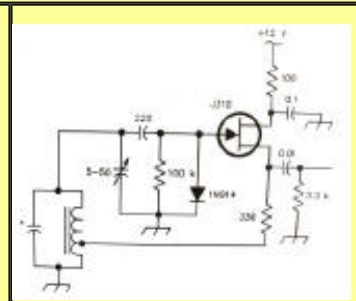


2010

Local Oscillator



June

Mesilla Valley Radio Club

A [pdf file](#) of this issue is available. It should print fairly easily. If you do not have the free pdf file reader, go to <http://www.adobe.com>

Coming Events

Table of Contents

Date	Event	Time
M - F	6 m FM net 52.540	6:00AM
T, T	Informal Wal-Mart (E)	10:00AM
M, W, F	Informal Wal-Mart (W)	10:00AM
Mon	WTRA Swap net 146.88	8 PM
Wed	Net 146.64	6:45PM
June 5	Breakfast - Club House	8 AM
June 5	Business meet - Club House	9 AM
June 8	Builders Group - Club House	7 PM
June 9	Board Meeting - Club House	7 PM
Je 26-27	Field Day - Club House	
	for more events see http://www.n5bl.org/calendar	

COMING EVENTS
 TABLE OF CONTENTS
[FIELD DAY](#)
[A TRIP TO DAYTON](#)
[MONTHLY BUSSINESS MEETING](#)
[BACK PAGE](#)



COLECTING BEAN FEED \$

More information at <http://swantenna.com>

Southwest Antennas & Accessories

<http://swantenna.com>

The space below is used for acknowledgements and maintaining the site.
Send comments, suggestions, and requests to Alex.F.Burr or send e-mail to aburr@qzxservices.com.
Technical assistance, net access, design, and maintenance provided by qzxservices.com

THE ARTICLES FOR THIS MONTH

FIELD DAY 2010

Field Day is the biggest operating event of the year. It is likely that the club will be on operating from the club house. The event starts at noon on Saturday June 26 and runs through 3 PM on Sunday. There may be more than one operating position for at least part of the time. Everybody is urged to come out to the club house for at least part of the time. WB4AEJ will conduct training the week before. As more specific plans are made, they will be given in e-mail messages.

[Return to Table of Contents](#)

A TRIP TO DAYTON

W5UMQ

Friday May14,2010, I arrived at the front gate 5 minutes early to find a sea of people under a partly clouded sky and a temperature of 65 degrees. No rain was forecast. The gates open and you make a mad rush to see what bargain, you can't live without, that may await you in the 1415 flea market spots. You know that if you see it, and don't buy it now, it won't be there in 10 minutes. (A old Dayton rule.)

All the time you know the inside 300 manufacturer and commercial dealer spots are to open in 1 hour. Pressure is rising, a decision must be made, do you stay outside or go inside. I decided to stay outside and observe some of the trades being negotiated and re-live some of my early days in ham radio. Numerous pieces of equipment from the 50's and 60's were for sale and young hams were asking why do you have to peak the grid and dip the plate? Another ham had an old BC-610 transmitter with a sign saying it was a "TVI Transmitter" and a young fellow wanted to know if that was a new mode of operation. Who would have thought you could find so many "Boat Anchors" that far from the ocean.

Since I was not looking for anything specific and Yaesu would not start passing out caps until 11:00 AM, why be in a rush. The fun was all outside! Finally inside, we find all the major manufacturers have arrived with a complete product line and the personnel to demonstrate every operation. Manufacturers normally do not sell the equipment but will provide you with a list of dealers who will be happy to take your credit card and cash if you insist.

At noon time the attendance was estimated at 25000 with 31 countries represented. Don't you feel sorry for the vacationing family who is passing through Dayton this week end looking for lodging. They have at least 50 more miles to drive! It's the Holy Grail of Ham Radio and every ham should make it at least once.

[Return to Table of Contents](#)

MONTHLY BUSINESS MEETING

Mesilla Valley Radio Club

Saturday May 1, 2010 Meeting Minutes

KF5DNI

The meeting was held at the club house on Jefferson. Prior to the meeting we shared a hot breakfast by Chef Terry and then an insightful presentation by Evan Salazar, our most junior Extra License holder. His presentation 'Project Impact – building a disaster resistant community' and covering online r/c circuit display was well received. He suggested we look at www.falstad.com/circuit for the program he used.

Vern called the meeting to order at just before 10 a.m. and asked all to insure they had 'signed in'. He acknowledged Evan's presentation and commended him for passing the Extra exam the previous week. Vern also commended the entire membership for the Bean Feed event's success. The hard work in preparation by the Bean Feed team paid off.

OLD BUSINESS

Secretary: The club needs a Secretary and the floor provided two nominations for the position. Karl Larsen, K5DI, was nominated and seconded as was Melanie S Jack, KD5UZF, who was not present at this meeting. After a member count, the Chair rules a quorum was present, the nominee left the room and the member discussed the nominees. The vote resulted in Melanie Jack being elected the MVRC Secretary for 2010. Mr Larsen returned to the meeting and was informed of the result. The Chair thanked him for his willingness to serve.

NEW BUSINESS

The cards from the previous week's QSL party were circulated. They are from the Bataan Death March period and there are many of them.

The Club is hosting a Field Day the last full weekend in June. Some planning notes about current needs are:

- Names of members who will attend, and help
- Hot dogs, hamburger, and soda
- Club open house
- Pairs of radio operators (log and operate)
- Fred, WB4AEJ, to conduct training a week before on how to efficiently manage 'pile-ups' and use of a PC to aid the control.
- Open band on 6 meters

- Some members will bring other radio units for an opportunity to run multiple stations
- 24 hours (12 noon Saturday to same on Sunday)
- Charlie Welch, N5CWW on CW

Comments on the newsletter are needed by Alex.

ADJOURN

Upon motion and second, President Vern adjourned the meeting at 10:15 a.m.

Collectively we genuinely appreciate Terry's breakfast efforts and will help him in his request for clean-up aid.

[Return to Table of Contents](#)

OFFICERS

Pres	Vern Vonheeder	WV5N	510-909-0069	vern@wv5n.com
VPr	Cash Olsen	KD5SSJ	382-1917	kd5ssj@arrl.net
Sec	Melanie Jack	KD5UZF		
Treasurer	Fred Atkinson	WB4AEJ		fred@wb4aej.com

BOARD

Communications	Henry Schotzko	AD5FE	526-1922	schotzko@comcast.net
Education	Evan Salazar	KE5ZRZ		
Special Events	Terry Angle	KF5DNS	640-9669	kf5dns@gmail.com
Newsletter	Alex Burr	K5XY	522-2528	k5xy@arrl.net
Clubhouse	Bob Bennett	AD5LJ	382-0148	rpbennett1@comcast.net
Repeaters	Robert Truitt	KE5OFK	649-4173	robtruitt@zianet.com

JOIN THE CLUB

To join the Mesilla Valley Radio Club, renew your membership, or to support the repeaters, please complete the form below and send it with dues (\$35 single, \$45 family per year) to: Treasurer, MVRC, Box 1443, Las Cruces, NM 88004.

MESILLA VALLEY RADIO CLUB

CALL SIGN(S) _____ FAMILY _____

LIC CLASS (E, A, G, T, N) _____

ARRL (Y/N) _____

ARRL VE (Y/N) _____

Would you like to be added to the MVRC reflector? _____

NAME

EMAIL

STREET ADDRESS

CITY & ZIP _____ PHONE _____ (OPTIONAL)

INTERESTS – Computer __ Contests __ Digital __ Elmer __ Emergency Communications __ Field Day

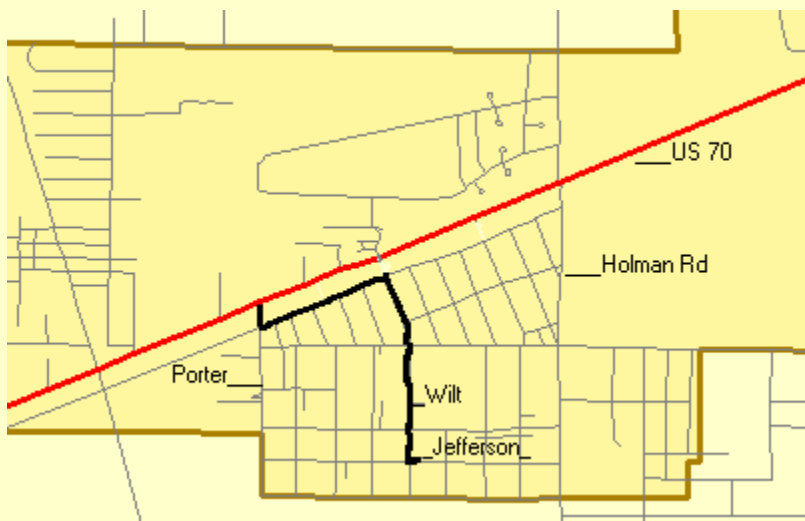
__
Packet __ Programs __ Public Service __ Publicity __ RFI __ Repeater __ Social __ Take License
Classes __

Teach License Classes __ Volunteer Examiner __ Other _____

SINGLE \$35 FAMILY \$45

CLUB INFORMATION

The MVRC Clubhouse is located at the intersection of Wilt and Jefferson in Hacienda Heights. To find the clubhouse, set your destination on your GPS receiver as 32 degrees 22.961 minutes and -106 degrees 41.44 minutes. If you don't own a gps, take the Porter exit on US 70. It is about 5 miles from the I 25 interchange, near the firehouse. Almost immediately south of the south frontage road on the south side of US 70, turn left toward the mountains until you come to Wilt. Turn right. There is a jog in the road, but at 0.35 miles you should come to Jefferson. If you can't see the tower and beam, you shouldn't be driving. The treasurer would be delighted to receive your contribution for landscaping and furnishing.



Officers

Office	Name	Call	Phone	e-mail
President	Vern Vondeeder	WV5N	510-909-0069	vern@wv5n.com
Vice-President	Cash Olsen	KD5SSJ	382-1917	kd5ssj@arrl.net
Secretary				
Treasurer	Fred Atkinson	WB4AEJ		fred@wb4aej.com
Board Members	Alex. Burr	K5XY	522-2528	k5xy@arrl.net
	Bob Bennett	AD5LJ	382-0148	rbennett1@comcast.net
	Henry Schotzko	AD5FE	AD5FE	schotzko@comcast.net
	Terry Angle	KF5DNS	640-9669	kf5dns@gmail.com
	Robert Truitt	KE5OFK	649-4173	robtruitt@zianet.com
	Evan Salazar	KE5ZRZ		

The newsletter is always looking for articles and notes of interest to the members of the Mesilla Valley Radio Club. Please send them to Alex. F. Burr, K5XY, Editor, MVRC Local Oscillator, 695 Stone Canyon Drive, Las Cruces, NM 88011. Small personal ads from members will also be published. It would be helpful if submissions would be made in a machine readable form. Windows readable disks are welcome. Files can also be sent to the Internet address k5xy@arrl.net. The club maintains a web site at <http://www.n5bl.org>

JOIN THE CLUB

To join the Mesilla Valley Radio Club, renew your membership, or to support the repeaters, please print, cut out, and complete the form below. Send it with dues (\$35 single, \$45 family per year, add \$10 to receive the newsletter by US mail instead of e-mail) to: Treasurer, MVRC, Box 1443, Las Cruces, NM 88004.

MESILLA VALLEY RADIO CLUB CALL SIGN(S) _____ FAMILY _____ _____ LIC CLASS (E, A, G, T, N) _____ ARRL (Y/N) _____ ARRL VE (Y/N) _____ Would you like to be added to the MVRC reflector? _____ NAME _____	
EMAIL _____	
STREET ADDRESS _____ _____	
CITY & ZIP _____ PHONE _____ (OPTIONAL) INTERESTS – Computer __ Contests __ Digital __ Elmer __ Emergency Communications __ Field Day __ Packet __ Programs __ Public Service __ Publicity __ RFI __ Repeater __ Social __ Take License Classes __ Teach License Classes __ Volunteer Examiner __ Other _____ SINGLE \$35 FAMILY \$45	

[Return to home page](#)

[Return to Local Oscillator first page](#)

[Return to N5BL home page](#)