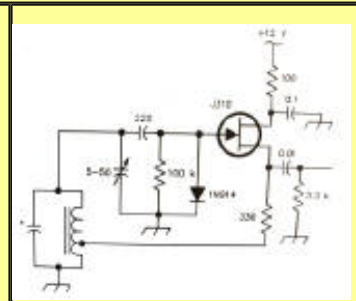


2010

# Local Oscillator



May

Mesilla Valley Radio Club

A [pdf file](#) of this issue is available. It should print fairly easily. If you do not have the free pdf file reader, go to <http://www.adobe.com>

## Coming Events

## Table of Contents

| Date    | Event  | Time    |
|---------|--|---------|
| M - F   | 6 m FM net 52.540  | 6:00AM  |
| T, T    | Informal Wal-Mart (E)  | 10:00AM |
| M, W, F | Informal Wal-Mart (W)  | 10:00AM |
| Mon     | WTRA Swap net 146.88   | 8 PM    |
| Wed     | Net 146.64   | 6:45PM  |
| May 1   | Breakfast - Club House   | 8 AM    |
| May 1   | Business meet - Club House   | 9 AM    |
| May 4   | Builders Group - Club House  | 7 PM    |
| May 5   | Board Meeting - Club House   | 7 PM    |
|         | for more events see<br><a href="http://www.n5bl.org/calendar">http://www.n5bl.org/calendar</a> |         |

- COMING EVENTS
- TABLE OF CONTENTS
- [BEAN FEED](#)
- [K5B](#)
- [QSL PARTY](#)
- [FOR SALE](#)
- [BACK PAGE](#)



## ARRL BEAN FEED DISPLAY

More information at <http://swantenna.com>

**Southwest Antennas & Accessories**

<http://swantenna.com>

The space below is used for acknowledgements and maintaining the site.  
Send comments, suggestions, and requests to [Alex. F. Burr](mailto:Alex.F.Burr) or send e-mail to [aburr@qzxservices.com](mailto:aburr@qzxservices.com).  
Technical assistance, net access, design, and maintenance provided by [qzxservices.com](http://qzxservices.com)

## THE ARTICLES FOR THIS MONTH

### BEAN FEED 2010 K5XY

The last Sunday in April dawned clear, windless, and just a bit chilly; almost about perfect for the 2010 Bean Feed. By 7:30 AM all of the space by the club house was filled with tailgaters and vendor's tables filled with complete transceivers, more antenna parts than can be used in a lifetime, enough small parts to stock several stores, and the usual complex boat anchors, the purposes of which were lost in the fog of time. The vacant lot across the street was comfortably filled with cars. There were many cars parked curbside on the new road just south of the club house.

Serious preparation had started the day before. Signs had been placed at the intersections leading to the location, the beans and chile were cooking in the kitchen, and lots of items donated to the club were displayed under two new portable garages which were themselves for sale. W0SWK was walking around with her HT tuned to the club's 2 m repeater ready to talk in any visitor headed to the event. And there were visitors from El Paso, Juarez, Albuquerque and places even further away.

The ARRL was well represented by the Section Manager for New Mexico, W5FHA, who presided over a display of ARRL materials which included free color posters listing all frequencies ( and the permitted types of operation) available for amateur use. Books, including the new 2010 – 2011 repeater directory, were for sale. If you joined or renewed, you even received a worthwhile gift.

WA5DJJ was there as usual, with an array of modern and antique radios. His collection of old bugs ranging up to \$275 in their individual display compartments was gradually getting smaller.

The club had much estate equipment on sale. Something like \$5000 worth of equipment was sold with most of the money going to the family. The club received enough money from this and other donated equipment to go a long ways toward meeting the annual budget. Those who stayed to the end received an opportunity to cart off some of the truly unwanted gear before the really unwanted stuff was carted off to the dump.

Southwest Antennas had their usual multiple-table layout selling HF and VHF antennas and assorted connectors. Almost anything you needed to get your signal out was available.

Shortly before 11 AM the beans were ready. More than 60 tickets for the food were sold. By noon many sellers were packing up and by 12:30 most were gone, leaving small groups socializing and several workers cleaning up.

One feature of this year's Bean Feed was the giving of FCC licensing exams. At least three people took one or more of the exams with one passing the extra class exam.

A photo album of images from this year's Bean Feed is available on the club's web site at <http://n5bl.org/photos/photos.html>.

[Return to Table of Contents](#)

K5B  
WB4AEJ

Special Events Station K5B was chosen as the official call of the annual Bataan Memorial Death March Marathon at White Sands. K5B was operated at the Mesilla Valley Radio Club clubhouse on March 21, 2010.

Wait a minute, that's a 1x1 call? Is it a bootlegger?

No, the call is legitimate. Special Events call signs (1x1s) are issued under the FCC's vanity call sign program. To reserve a Special Events call sign, you must have a qualifying special event. That is generally anything that might be of significant public interest. You can check one of the QRZ forums 'Contests, DXpeditions, and Special Events' (<http://forums.qrz.com/forumdisplay.php?f=15>) that often shows listings of upcoming Special Events Station operations. Some that are currently showing there are K6P (Pearl Harbor) to be operated in December, W7W (Lost Dutchman), and W7Z (Snow Bird Field Day). Additionally, you can arrange to have your special event listed in QST. I've also found that RSGB (Radio Society of Great Britain), RAC (Radio Amateurs of Canada), and WIA (Wireless Institute of Australia) are generally receptive to publicizing special events operation in their amateur radio journals.

There are several ways to go about getting a Special Events call. The quickest and easiest way is to go to <http://www.1x1callsigns.org/> and click on the 'Request 1x1 Call' link. Fill out and submit the online form. Be sure to select a VEC to assign the call for you. Currently, there are five VECs that make these reservations. I generally use ARRL when I reserve a Special Events Call Sign. But you can also choose W4VEC, W5YI, WCARS, or the Laurel Amateur Radio Club to make the reservation for you.

You must choose the call yourself (it must begin with a K, N, or W then be followed by a single digit numeral (0-9). You must choose the last letter (A-Z except X). The call may be issued for a maximum of fifteen days and there must be no time conflict (for example, you can't get 'K5B' on March 21, 2010 because it was assigned for the Annual Bataan Memorial Death March Marathon on that day) with another event. If there is a conflict, you can always choose a different call sign. The suffix 'B' in 'K5B' was for 'Bataan'. The five was the operating area where many of the victims and survivors of Bataan were from. The prefix 'K' was chosen because it is a popular U.S. call prefix.

Special Events identification requires giving your 1x1 call as you would a regular call sign. In addition, you must give the trustee call sign (N5BL in our case) once per hour.

K5B was operated at the MVRC clubhouse on Sunday, March 21. Operation began at 4 AM and ended shortly after 5 PM MDT (coinciding with the scheduled times of the events).

Four hundred and eighteen contacts were logged. There were ten Canadian stations and three DX stations (Bolivia, Ireland, and Venezuela). Alaska, Hawaii, and Puerto Rico were also logged.

As of Saturday, March 27, we have received eighty proper requests for QSLs (the calling station's QSL card and an SASE) and two stations that sent QSL cards [with no SASE]. We will continue to stockpile requests until they stop coming in. At that point, we'll count them and have printed enough QSLs to cover the requests we've received.

We received a lot of kudos for remembering Bataan from many of the stations that worked us. A few actually knew Bataan victims and survivors. I was quite shocked when one station told me that their former local postmaster (now deceased) was a Bataan survivor and the man actually had bayonet marks in his back from the abuse he received during the march.

There will be a session at the MVRC clubhouse [date yet to be chosen] to fill out the Special Events QSL cards, stuff the SASEs, and transport the envelopes to the post office for distribution. We hope that some of you will volunteer to help (you will learn a lot about QSLing). An announcement will be made via the MVRC mailing list. If we can get four or five volunteers, the work probably won't take too long. (See the article below for a report on the QSL session.)

We are also planning to make an album of the QSL cards we received for the event. It will be on display in our clubhouse when it is completed.

Elden Heiden (W0WGA) was instrumental in designing our K5B QSL card for 2010. He used a photograph of runners from a previous Death March along with the Bataan logo and added his own special touches. Elden is very gifted at QSL artwork. The artwork for the card was displayed at an MVRC meeting during the latter part of 2009. It was received very well by the club membership. I wonder what he will come up with for 2011? We'll have to wait and see.

Thanks to everyone who came out and helped. We hope to make this a regular MVRC annual operating event. It certainly turned out to be a very special 'Special Event'.

God Bless our veterans. We will \*never\* forget their sacrifices.

[Return to Table of Contents](#)

## QSL PARTY WB4AEJ

Dave Hassan (WA5DJJ), Robert Truit (KE5OFK), Evans Ralston (KF5DNI), Vern Vonheeder (WV5N), and Fred Atkinson (WB4AEJ) spent about an hour and a quarter together at the MVRC Clubhouse on the evening of Thursday, April 29.

Their purpose? To fill out and mail the QSL requests for the K5B Special Events station.

There were about a hundred requests and we worked together to look them up on the log and fill out the cards.

We were sharing the log sheets and passing them around. A good time was had by all.

There was a letter enclosed with one of the requests. It was from Jim Allen, WA0LUD of Burlington, IA.

The letter read as follows:

"Fred:

I want to thank you for the short QSO this afternoon but mostly for all the time you and the other members of your club are doing to thank the Americans that were so terribly treated on the "Bataan Death March". These men

were real heroes.

I served in the U.S. Navy in the South Pacific near the end of WWII and was lucky not to have seen what those men did. President Truman saved a lot of us as we were preparing for the invasion of Japan when the atom bombs ended the war.

Thank you

Jim Allen (signature)."

[Return to Table of Contents](#)

#### FOR SALE

Dentron AT-3K Tuner (does full legal limit??). Has two edgewise meters on front for power and SWR. Outputs on back are long wire, balanced, coax 1, coax 2, coax 3 and dummy load. All outputs switch selectable from front. \$50 OBO.

HP 241A Oscillator. Covers 10 Hz - 999 KHz. Frequency settable by push buttons. Output amplitude 0-5 V into 600 Ohm. This oscillator is extremely stable. \$40 OBO.

Joe Gray KA5ZEC

1992 Pathfinder 4 wheel drive SUV. Used for search and rescue. Wired for HF and VHF. \$1900 K5XY 575-522-2528

[Return to Table of Contents](#)

## CLUB INFORMATION

The MVRC Clubhouse is located at the intersection of Wilt and Jefferson in Hacienda Heights. To find the clubhouse, set your destination on your GPS receiver as 32 degrees 22.961 minutes and -106 degrees 41.44 minutes. If you don't own a gps, take the Porter exit on US 70. It is about 5 miles from the I 25 interchange, near the firehouse. Almost immediately south of the south frontage road on the south side of US 70, turn left toward the mountains until you come to Wilt. Turn right. There is a jog in the road, but at 0.35 miles you should come to Jefferson. If you can't see the tower and beam, you shouldn't be driving. The treasurer would be delighted to receive your contribution for landscaping and furnishing.



## Officers

| Office         | Name           | Call   | Phone        | e-mail   |
|----------------|----------------|--------|--------------|--|
| President      | Vern Vondeeder | WV5N   | 510-909-0069 | <a href="mailto:vern@wv5n.com">vern@wv5n.com</a>                 |
| Vice-President | Cash Olsen     | KD5SSJ | 382-1917     | <a href="mailto:kd5ssj@arrl.net">kd5ssj@arrl.net</a>             |
| Secretary      |                |        |              |  |
| Treasurer      | Fred Atkinson  | WB4AEJ |              | <a href="mailto:fred@wb4aej.com">fred@wb4aej.com</a>             |
| Board Members  | Alex. Burr     | K5XY   | 522-2528     | <a href="mailto:k5xy@arrl.net">k5xy@arrl.net</a>                 |
|                | Bob Bennett    | AD5LJ  | 382-0148     | <a href="mailto:rbennett1@comcast.net">rbennett1@comcast.net</a> |
|                | Henry Schotzko | AD5FE  | AD5FE        | <a href="mailto:schotzko@comcast.net">schotzko@comcast.net</a>   |
|                | Terry Angle    | KF5DNS | 640-9669     | <a href="mailto:kf5dns@gmail.com">kf5dns@gmail.com</a>           |
|                | Robert Truitt  | KE5OFK | 649-4173     | <a href="mailto:robtruitt@zianet.com">robtruitt@zianet.com</a>   |
|                | Evan Salazar   | KE5ZRZ |              |  |

The newsletter is always looking for articles and notes of interest to the members of the Mesilla Valley Radio Club. Please send them to Alex. F. Burr, K5XY, Editor, MVRC Local Oscillator, 695 Stone Canyon Drive, Las Cruces, NM 88011. Small personal ads from members will also be published. It would be helpful if submissions would be made in a machine readable form. Windows readable disks are welcome. Files can also be sent to the Internet address [k5xy@arrl.net](mailto:k5xy@arrl.net). The club maintains a web site at <http://www.n5bl.org>

### JOIN THE CLUB

To join the Mesilla Valley Radio Club, renew your membership, or to support the repeaters, please print, cut out, and complete the form below. Send it with dues (\$35 single, \$45 family per year, add \$10 to receive the newsletter by US mail instead of e-mail) to: Treasurer, MVRC, Box 1443, Las Cruces, NM 88004.

|      |  |
|------|--|
| Name |  |
|------|--|

Club Information

|                       |  |
|-----------------------|--|
| Box or street address |  |
| City                  |  |
| State                 |  |
| Zip                   |  |
| Call                  |  |
| Class of license      |  |
| Phone                 |  |
| e-mail                |  |
| ARRL Member?          |  |

[Return to home page](#)

[Return to Local Oscillator first page](#)

[Return to N5BL home page](#)