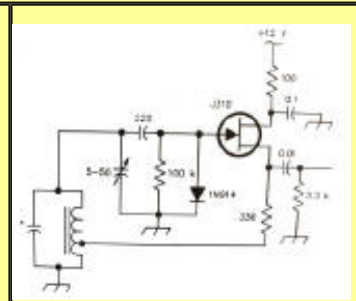


2010

Local Oscillator



March

Mesilla Valley Radio Club

A [pdf file](#) of this issue is available. It should print fairly easily. If you do not have the free pdf file reader, go to <http://www.adobe.com>

Coming Events

Table of Contents

Date	Event	Time
Sun	Slow CW Net 3.575	3:30PM
Sun	CW Net 3.375	4:00PM
M - F	6 m FM net 52.540	6:00AM
T, T	Informal meet Wal-Mart (E)	10:00AM
M, W, F	Informal meet Wal-Mart (W)	10:00AM
Mon	WTRA Swap net 146.88	8 PM
Wed	N5BL Net 146.64	6:45PM
Mar 02	Builder's Group - Club House	7 PM
Mar 06	Breakfast - Club House	8 AM
Mar 06	Business Meeting	8:45 AM
Mar 10	Board meet - Club House	7 PM
Mar 16	Builder's Group - Club House	7 PM
Mar 21	Bataan Death March	
Mar 28	Triathlon	
April 06	Builder's Group - Club House	7 PM
April 10	Run Old Mesilla	

[COMING EVENTS](#)
[TABLE OF CONTENTS](#)
[PRESIDENT'S CORNER](#)
[RACES](#)
[MINUTES](#)
[HAM VOLUNTEERS NEEDED](#)
[FOR SALE](#)
[BACK PAGE](#)



WV5N

Officers

KD5SSJ

More information at <http://swantenna.com>

Southwest Antennas & Accessories

<http://swantenna.com>

return to [N5BL](#) home page

The space below is used for acknowledgements and maintaining the site.
Send comments, suggestions, and requests to [Alex. F. Burr](mailto:aburr@qzxservices.com) or send e-mail to [aburr @ qzxservices.com](mailto:aburr@qzxservices.com).
Technical assistance, net access, design, and maintenance provided by qzxservices.com

THE ARTICLES FOR THIS MONTH

PRESIDENT'S CORNER

WV5N

Not available

[Return to Table of Contents](#)

RACES

KD5OHA

It was a bright sunny day on Sunday February 7 as members of the Mesilla Valley Radio Club and other area amateurs got together to provide radio communication support for the Mesilla Valley Track Clubs Supper Bowl Sunday 5k run/walk and 10k run. The race started at 10 AM. There were over 100 entries. Our own Alex Burr did very well in the 5K event. The event went uneventfully. The only problem happened afterwards when one of our local hams got his car stuck on one of the ruts trying to get out after the race. However other Amateurs immediately came to his aid and successfully got him back on the road. Thanks to all who helped: George KD5OHA, Dave K5DLA, Brad KC5SKE, Henry AD5FE, Cash KD5SSJ, Dennis KB5TPV, Charlie K9AQH, Perry KC7VHS, Richard KC5EVR, Kevin K5KMCV. Thanks to all. Our next event is the Bataan Memorial Death March .Sunday March 21 2010 I still have positions available if you would like to help.

[Return to Table of Contents](#)

MINUTES OF FEBRUARY 6,2010

Meeting called to order at 10:40am Vern Vonheeder, WV5N

Vern had been reviewing the MVRC Constitution and realized that the position of Vice President is a one year term and that Cash Olsen, KD5SSJ needed to be elected to that position. Moved, seconded and passed.

State lawmakers are have pending legislation to ban cell phone use while driving. The wording may need input from Hams to change the wording to exclude Amateur Radio from the ban. (It is understood that the wording has been changed and makes exception for the use of Amateur Radio.)

Estate Sale, Dale Bragdon, K4BHL, is scheduled for the February 13, 2010.

Treasures Report : Fred Atkinson, WB4AEJ, attached.

Secretary Report : Acting Secretary, Cash, KD5SSJ, said that the reading be of January meeting should be suspended, not available.

Vern, WV5N, The MVRC Constitution requires in Chapter 5 part b, according to his reading a committee of two is required for Education. After discussion it was decided that it is not necessary to elect two persons for that but that one elected to the chairman and a committee appointed.

Education Report, Evan Salazar, KE5ZRZ, said that only three persons had committed to the proposed General Classes and that the guidelines suggest at least 5 confirmed to proceed. In addition, John, N5WQ, VE Coordinator was not available that weekend. Joe Ostrowski, KI5FJ, could act as his alternate. There was a small discussion of how many VE's were members of the club. It is possible that a Technician class could be scheduled.

Communications Report : George Kopp, KD5OHA, said that he still needs 7 Hams to complete the roster for the Bataan Death March which will be held on March 21, 2010. There will be a Special Events station, K5B, in operation from the MVRC club house concurrent with the march. A QSL card has been designed for the Special Events Station. Future events April 10 Old Mesilla, and also on April 10 Indian Springs (and endurance horse race). Henry Schotzko, AD5FE, Weather Spotter training will be held at the New Mexico State University Police Department training room. The loop antenna at the Emergency Operations Center (EOC) has been repaired during the preceding month.

Special Events : Terry Angle, KE5DNS, Brochure for the BeanFeed is complete and the registration for publication in QST has also been completed.

Repeater Report : Rob Truitt, KD5UZF, There is some problem with the 448.20MHz repeater, the problem is believed to be in the controller. Rob was soliciting funds to replace the current old controllers.

Treasure Audit Report, Evans Ralston, KE5DNI, the 2009 Books balanced and Evans (a former banker) stated that Joe Ostrowski, KI5FJ, did a superb job.

Other business : Fred Atkinson, WB4AEJ, presented a plaque from the Arecibo Observatory KP4AO and the status of the worked all states, only two states need to confirm Utah and Minnesota. Louis Poli, N3OL suggested

that we try to make contact with the Boy Scouts who have a special merit badge for Ham Radio. And outreach : ways to find new hams.

Adjourn 11:40am

Draft

[Return to Table of Contents](#)

HAM VOLUNTEERS NEEDED

AD5FE

The possibility of public health emergencies arising in the United States concerns many people in the wake of recent hurricanes, tsunamis, acts of terrorism, and the threat of pandemic influenza. Though some people feel it is impossible to be prepared for unexpected events, the truth is that taking preparedness actions helps people deal with disasters of all sorts much more effectively when they do occur.

CDC's Strategic National Stockpile (SNS) has large quantities of medicine, medical supplies and resources to protect the American public if there is a public health emergency (terrorist attack, flu outbreak, earthquake) severe enough to cause local supplies to run out. Once Federal and local authorities agree that the SNS is needed, medicines will be delivered to any state in the U.S. within 12 hours. Each state has plans to receive and distribute SNS medicine and medical supplies to local communities as quickly as possible.

A key element to the success of dispensing SNS medications and supplies in the state of New Mexico is the role of NMserve volunteers. The New Mexico Department of Health Bureau of Health Emergency Management and "NMserve" is currently seeking lay volunteers to be on a SNS Strike force team. There will be of four teams, one in each of the following areas: Albuquerque, Las Cruces, Roswell and Santa Fe. Each team will consist of the following personnel:

- Receiving Staging and Storing (RSS) Managers
- Safety and Security Personnel
- Forklift Operators
- HAM Radio Operators
- Quality Control
- Team Leaders
- Clerical Support
- Inventory Specialists

Warehouseman

Each team member will be required to take some online SNS and ICS training courses and must be available for yearly drills. If you are interested in being a part of this Strike Force Team please contact Bobbie MacKenzie NMserves Member Services Coordinator at 505-476-8302. Once all of the team members have been established we will conduct a conference call to answer all of your questions

[Return to Table of Contents](#)

FOR SALE

FOR SALE

Radio is 160-10m. Has full Tx power. Been using it since Oct09. Works great. Asking \$450.

If interested please email me at kf5czg@gmail.com. My location is Las Cruces.

ps. Add eighty bucks and I will through in a MFJ-949E tuner.

TRADE

MFJ 998 1500 Watt automatic antenna tuner. Like new. I am looking for a very sturdy antenna rotor. So let's talk.

KEITH, W7DXX, 526-2200

FOR SALE

I need to raise some cash, so I'm selling the following Tektronix oscilloscopes. They are clean and in working condition. The prices listed are well below ebay prices. I will entertain offers.

Tektronix 2215A - 2 channel, 60MHz, analog scope. \$100.

Tektronix 2240 - 2 channel, 300MHz, digital storage scope. Has GPIB option. \$400.

Tektronix 2445A - 4 channel, 150MHz, analog scope. Has GPIB option. \$200.

For manuals, please see:

<http://www.ko4bb.com/cgi-bin/manuals.pl?dir=Tektronix>

No probes included. I can include a power cord if needed (it's a standard cord).

Joe KA5ZEC

[Return to Table of Contents](#)

CLUB INFORMATION

The MVRC Clubhouse is located at the intersection of Wilt and Jefferson in Hacienda Heights. To find the clubhouse, set your destination on your GPS receiver as 32 degrees 22.961 minutes and -106 degrees 41.44 minutes. If you don't own a gps, take the Porter exit on US 70. It is about 5 miles from the I 25 interchange, near the firehouse. Almost immediately south of the south frontage road on the south side of US 70, turn left toward the mountains until you come to Wilt. Turn right. There is a jog in the road, but at 0.35 miles you should come to Jefferson. If you can't see the tower and beam, you shouldn't be driving. The treasurer would be delighted to receive your contribution for landscaping and furnishing.



Officers

Office	Name	Call	Phone	e-mail
President	Vern Vondeeder	WV5N	510-909-0096	vern@wv5n.com
Vice-President	Cash Olsen	KD5SSJ	382-1917	kd5ssj@arrl.net
Secretary	Tres Campbell	KD5ZHI	373-2008	trscam@aol.com
Treasurer	Joe Ostrowski	KI5FJ		ki5fj@arrl.net
Board Members	Alex. Burr	K5XY	522-2528	k5xy@arrl.net
	Bob Bennett	AD5LJ	382-0148	rbpennett1@comcast.net
	Henry Schotzko	AD5FE	AD5FE	schotzko@comcast.net
	Terry Angle	KF5DNS	640-9669	kf5dns@gmail.com
	Robert Truitt	KE5OFK	649-4173	robtruitt@zianet.com
	Evan Salazar	KE5ZRZ		

The newsletter is always looking for articles and notes of interest to the members of the Mesilla Valley Radio Club. Please send them to Alex. F. Burr, K5XY, Editor, MVRC Local Oscillator, 695 Stone Canyon Drive, Las Cruces, NM 88011. Small personal ads from members will also be published. It would be helpful if submissions would be made in a machine readable form. Windows readable disks are welcome. Files can also be sent to the Internet address k5xy@arrl.net. The club maintains a web site at <http://www.zianet.com/mvrc>.

JOIN THE CLUB

To join the Mesilla Valley Radio Club, renew your membership, or to support the repeaters, please print, cut out, and complete the form below. Send it with dues (\$35 single, \$45 family per year, add \$10 to receive the newsletter by US mail instead of e-mail) to: Treasurer, MVRC, Box 1443, Las Cruces, NM 88004.

Name	
------	--

Club Information

Box or street address	
City	
State	
Zip	
Call	
Class of license	
Phone	
e-mail	
ARRL Member?	

[Return to home page](#)

[Return to Local Oscillator first page](#)

[Return to N5BL home page](#)