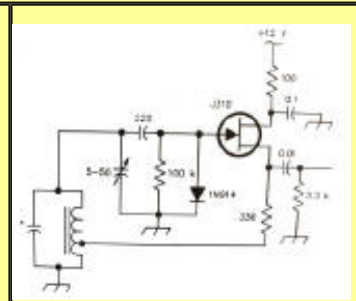


2010

Local Oscillator



February

Mesilla Valley Radio Club

A [pdf file](#) of this issue is available. It should print fairly easily. If you do not have the free pdf file reader, go to <http://www.adobe.com>

Coming Events

Table of Contents

Date	Event	Time
Sun	Slow CW Net 3.575	3:30PM
Sun	CW Net 3.375	4:00PM
M - F	6 m FM net 52.540	6:00AM
T, T	Informal meet Wal-Mart (E)	10:00AM
M, W, F	Informal meet Wal-Mart (W)	10:00AM
Mon	WTRA Swap net 146.88	8 PM
Wed	N5BL Net 146.64	6:45PM
Feb 02	Builder's Group - Club House	7 PM
Feb 06	Breakfast - Club House	8 AM
Feb 06	Business Meeting	8:45 AM
Feb 07	NM QSO Party - Club House	8 AM
Feb 07	Super Bowl Race	
Feb 10	Board meet - Club House	7 PM
Feb 16	Builder's Group - Club House	7 PM
Feb 20	Equipment Sale - Club House	
Mar 02	Builder's Group - Club House	7 PM
Mar 21	Bataan Death March	
Mar 28	Triathlon	
April 10	Run Old Mesilla	

COMING EVENTS
 TABLE OF CONTENTS
[PRESIDENT'S CORNER](#)
[NM QSO PARTY](#)
[RACES](#)
[ESTATE SALE](#)
[FOR SALE](#)
[TREASURER'S REPORT](#)
[BACK PAGE](#)



Business Meeting 2009

More information at <http://swantenna.com>

Southwest Antennas & Accessories

<http://swantenna.com>

return to [N5BL](#) home page

The space below is used for acknowledgements and maintaining the site.
Send comments, suggestions, and requests to [Alex. F. Burr](mailto:aburr@qzxservices.com) or send e-mail to aburr@qzxservices.com.
Technical assistance, net access, design, and maintenance provided by qzxservices.com

THE ARTICLES FOR THIS MONTH

PRESIDENT'S CORNER

WV5N

This is Vern Vonheeder III, WV5N, the MVRC President for 2010.

I've been a licensed HAM since June, 2008, with call sign KE5VGH. This club helped me get started in Amateur Radio by offering training sessions for all three Classes that year, I took advantage of each of those opportunities. At that time I was driving back & forth between here & the SF Bay Area every other week for work, so I didn't really have any free time for studying for anything. Other club members have also been (or still are) in similar situations over the years.

My background is computer programming, including Microsoft Office automation & databases. Learning about radio and going to the Builders Group meetings have helped in my continuing education goals. I much prefer dealing with computers & electronics than with people. I'm stepping out of my comfort zone to help give back to the club.

I was looking through some of the early LO's that are on our website and saw names of people that I hear on the .64 repeater but are no longer members of the club. For whatever reason (there was a list and analysis in the LO0311 issue, so I won't include that here), members aren't renewing. I'm fairly sure this is not news to anyone, and it doesn't appear to have improved too much in the interim 6 years. That's not a reflection on any one person, but on the club as a whole.

As a reminder, our club primary directives are as follows:

Section 2. The purposes for which this Club is formed and operated are the following:

- a. To promote interest in amateur radio communications and experimentation;
- b. To provide for dissemination of information among its members concerning scientific advancement and progress in the field of radio communications;
- c. To organize and train units of licensed radio amateurs who can provide radio communications as a public service;

- d. To foster education in the field of electronic communications to both members of the Club and to the public at large; and
- e To encourage and sponsor experimental activities in radio communications to the end that skills and experience gained in amateur radio will further the application of electronics to the benefit of the public at large.

We're doing well on a couple of the above items; I'd like to suggest that we continue to do so this year, as well as work on improving the rest.

[Return to Table of Contents](#)

NM QSO PARTY WB4AEJ

Come and join us for the NM QSO party at the MVRC club house.

We would like to have enough people to cover the entire event on Sunday, February 7 from 8 AM to 8 PM. We will be operating two stations.

This is an annual event which we feel that the club should support. Even if you can only give us an hour or two, that will be a big help.

For more information, send e-mail to fred@wa4aej.

[Return to Table of Contents](#)

RACES KD5OHA

Sunday Feb. 7th is the Super Bowl Run 5K run walk and 10K run. It starts at 10A.M. So my helpers need to be there by 09:30.

Sunday Feb. 14(Valentine's day). The Las Cruces Horseman Association is having a jump event at Issaciacs Ranch. Same as the one last November. They have two a year, one in February and one in November. I still need help for this event.

March 21 is the Bataan Death March. I still have unfilled positions for this.

March 28 is a tentative date for the Triathlon at NMSU. This date may

change due to spring break.

On April 10th the Track Club is having Run Old Mesilla. I have just discovered that that is the same day that the Indian Springs Horse Race is schedule for T or C.

This is as much race information as I have to date.

[Return to Table of Contents](#)

ESTATE SALE

There will be an estate sale of amateur equipment at the Club house on February 20. There is a 4 page list of the equipment and prices available. Unfortunately it is not available in the txt file. It is however available [here](#).

[Return to Table of Contents](#)

FOR SALE

MFJ- 662 Simplex Repeater with Yaseu HT cable. 50.00

MFJ- 784B Tunable DSP Audio Filter Like New. 150.00

Gary WD8AJJ 6802662

[Return to Table of Contents](#)

TREASURER'S REPORT

KI5FJ

INCOME	BUDGET	ACTUAL YTD
Bean Feed Food	400.00	375.00
Breakfast & Drinks	600.00	535
Contributions	250.00	994.44
Dues (Includes 2010 Early)	2000.00	2920
Education Classes	850.00	1208.13 *
Equip Sales & Raffles	1845.00	2158
Bank Interest	30.00	
Other	0.00	
TOTAL	5975.00	8190.57

EXPENSES	BUDGET	ACTUAL YTD
Bean Feed	300.00	296.72
Breakfast & Drinks	400.00	199.96
Clubhouse	400.00	734.91
N5BL Domain Due 09 2014	20.00	
Education Classes	850.00	929.03 *
Field Day	150.00	90.42
Insurance	1000.00	950.00
Misc	100.00	159.42
NM Emergency Fee	30.00	30.00
NM Tax Exempt Fee	10.00	30.00
PO Box Rent	60.00	60.00
Postage	100.00	37.56
President's Fund	75.00	262.83
Property Tax	800.00	1070.46
Repeater Maintenance	600.00	523.70
Electricity	450.00	472.19
Propane	500.00	493.76
Water	150.00	174.48
TOTAL	5995.00	6515.44

AS OF 31 Dec 2009	
INCOME	8190.57
EXPENSES	6515.44
NET	+1675.13
	* 279.10 for 2010 Classes

[Return to Table of Contents](#)

CLUB INFORMATION

The MVRC Clubhouse is located at the intersection of Wilt and Jefferson in Hacienda Heights. To find the clubhouse, set your destination on your GPS receiver as 32 degrees 22.961 minutes and -106 degrees 41.44 minutes. If you don't own a gps, take the Porter exit on US 70. It is about 5 miles from the I 25 interchange, near the firehouse. Almost immediately south of the south frontage road on the south side of US 70, turn left toward the mountains until you come to Wilt. Turn right. There is a jog in the road, but at 0.35 miles you should come to Jefferson. If you can't see the tower and beam, you shouldn't be driving. The treasurer would be delighted to receive your contribution for landscaping and furnishing.



Officers

Office	Name	Call	Phone	e-mail
President	Vern Vondeeder	WV5N	510-909-0096	vern@wv5n.com
Vice-President	Cash Olsen	KD5SSJ	382-1917	kd5ssj@arrl.net
Secretary	Tres Campbell	KD5ZHI	373-2008	trscam@aol.com
Treasurer	Joe Ostrowski	KI5FJ		ki5fj@arrl.net
Board Members	Alex. Burr	K5XY	522-2528	k5xy@arrl.net
	Bob Bennett	AD5LJ	382-0148	rbpennett1@comcast.net
	Henry Schotzko	AD5FE	AD5FE	schotzko@comcast.net
	Terry Angle	KF5DNS	640-9669	kf5dns@gmail.com
	Robert Truitt	KE5OFK	649-4173	robtruitt@zianet.com
	Evan Salazar	KE5ZRZ		

The newsletter is always looking for articles and notes of interest to the members of the Mesilla Valley Radio Club. Please send them to Alex. F. Burr, K5XY, Editor, MVRC Local Oscillator, 695 Stone Canyon Drive, Las Cruces, NM 88011. Small personal ads from members will also be published. It would be helpful if submissions would be made in a machine readable form. Windows readable disks are welcome. Files can also be sent to the Internet address k5xy@arrl.net. The club maintains a web site at <http://www.zianet.com/mvrc>.

JOIN THE CLUB

To join the Mesilla Valley Radio Club, renew your membership, or to support the repeaters, please print, cut out, and complete the form below. Send it with dues (\$35 single, \$45 family per year, add \$10 to receive the newsletter by US mail instead of e-mail) to: Treasurer, MVRC, Box 1443, Las Cruces, NM 88004.

Name	
------	--

Club Information

Box or street address	
City	
State	
Zip	
Call	
Class of license	
Phone	
e-mail	
ARRL Member?	

[Return to home page](#)

[Return to Local Oscillator first page](#)

[Return to N5BL home page](#)