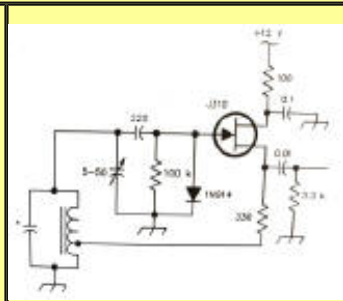


2010

Local Oscillator



January

Mesilla Valley Radio Club

A [pdf file](#) of this issue is available. It should print fairly easily. If you do not have the free pdf file reader, go to <http://www.adobe.com>

Coming Events

Table of Contents

Date	Event	Time
Sun	Slow CW Net 3.575	3:30PM
Sun	CW Net 3.375	4:00PM
M - F	6 m FM net 52.540	6:00AM
T, T	Informal meet Wal-Mart (E)	10:00AM
M, W, F	Informal meet Wal-Mart (W)	10:00AM
Mon	WTRA Swap net 146.88	8 PM
Wed	N5BL Net 146.64	6:45PM
Jan 05	Builder's Group - Club House	7 PM
Jan 06	Board meet - Club House	7 PM
Jan 09	Breakfast - Club House	8 AM
Jan 09	Business Meeting	8:45 AM
Jan 19	Builder's Group - Club House	7 PM

COMING EVENTS
 TABLE OF CONTENTS
[PRESIDENT'S CORNER](#)
[CLUB NEWS](#)
[CHRISTMAS DINNER](#)
[BACK PAGE](#)



Christmas Dinner 2009

More information at <http://swantenna.com>

Southwest Antennas & Accessories

<http://swantenna.com>

return to [N5BL](#) home page

The space below is used for acknowledgements and maintaining the site.
Send comments, suggestions, and requests to [Alex. F. Burr](mailto:aburr@qzxservices.com) or send e-mail to [aburr @ qzxservices.com](mailto:aburr@qzxservices.com).
Technical assistance, net access, design, and maintenance provided by qzxservices.com

THE ARTICLES FOR THIS MONTH

PRESIDENT'S CORNER

WV5N

[Return to Table of Contents](#)

CLUB NEWS

KD5SSJ

The first meeting of the year would normally fall on the day after New Years day and on a weekend that many might be traveling or, otherwise, exhausted. We have made the decision to move the first meeting of the year to second Saturday of January, January 9, 2010.

Our new Special Events Chair, Terry Angle, KF5DNS, will be fixing breakfast. Breakfast will be served at about 8:00AM (1500 Zulu). Fred Atkinson, KB4AEJ, will be the presenter, 8:45AM. The general meeting will follow his presentation.

We still have a need for a Treasurer, this is required position by our non-profit corporation, so I hope that one of you will consider taking on this important task for at least one year.

I helped Bob Bennett, AD5LJ, and we were able to put up 6 fence posts and two strands of wire on the west boundary of the club property. This is to control neighbors who have gotten in the habit of cutting across the club property instead of using the right of way which is provided. We don't want any one using this short cut to clip our guy wires or other facilities. No trespassing (three) signs and reflectors were placed on the fence and we hope that this is enough to stop the problem. The materials for this project were donated by Bob and myself.

Dale Bragdon, K4BHL, passed away Saturday 19 Dec at 9 PM. About a dozen members of MVRC were present at the memorial service.

I received a call from Joe Ostrowski, KI5FJ, who told me that he had suffered a mild stroke which effected the sight in one eye. We wish a complete and quick recovery.

The Builders Group will meet on January 5, 2010, 7:00PM at the club house.

The Christmas party was attended by about 30 members and their families.

I'm looking forward to a big year for the club and the radio shack which is scheduled for a lot of use this in 2010. Many members have been using the facilities of the club and have just about completed a Worked All States (WAS) certificate and other special events activities.

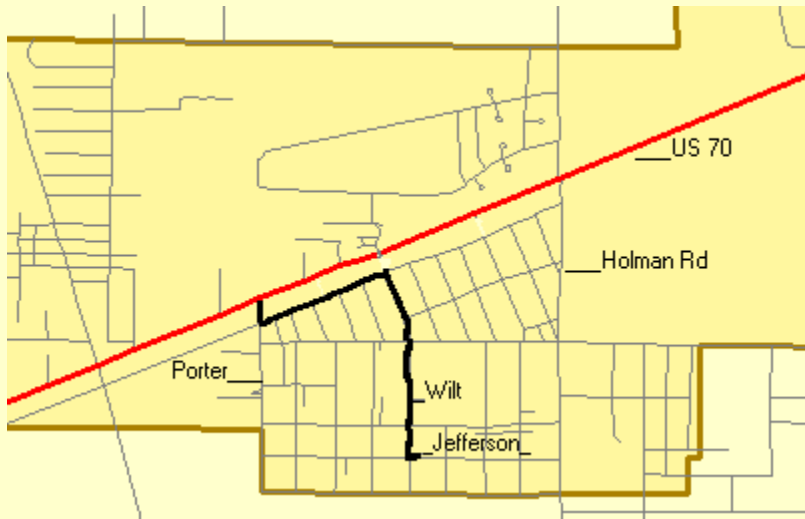
CHRISTMAS DINNER

The annual Christmas Dinner was held December 1 at 6 PM in Furr's Cafeteria near Wal-Mart East. Their meeting room was reserved for the club and approximately 50 people showed up starting shortly before 6 PM. There was a lot of food eaten and conversation exchanged.

[Return to Table of Contents](#)

CLUB INFORMATION

The MVRC Clubhouse is located at the intersection of Wilt and Jefferson in Hacienda Heights. To find the clubhouse, set your destination on your GPS receiver as 32 degrees 22.961 minutes and -106 degrees 41.44 minutes. If you don't own a gps, take the Porter exit on US 70. It is about 5 miles from the I 25 interchange, near the firehouse. Almost immediately south of the south frontage road on the south side of US 70, turn left toward the mountains until you come to Wilt. Turn right. There is a jog in the road, but at 0.35 miles you should come to Jefferson. If you can't see the tower and beam, you shouldn't be driving. The treasurer would be delighted to receive your contribution for landscaping and furnishing.



Officers

Office	Name	Call	Phone	e-mail
President	Vern Vondeeder	WV5N	510-909-0096	vern@wv5n.com
Vice-President	Cash Olsen	KD5SSJ	382-1917	kd5ssj@arrl.net
Secretary	Tres Campbell	KD5ZHI	373-2008	trscam@aol.com
Treasurer	Joe Ostrowski	KI5FJ		ki5fj@arrl.net
Board Members	Alex. Burr	K5XY	522-2528	k5xy@arrl.net
	Bob Bennett	AD5LJ	382-0148	rbpennett1@comcast.net
	Henry Schotzko	AD5FE	AD5FE	schotzko@comcast.net
	Terry Angle	KF5DNS	640-9669	kf5dns@gmail.com
	Robert Truitt	KE5OFK	649-4173	robtruitt@zianet.com
	Evan Salazar	KE5ZRZ		

The newsletter is always looking for articles and notes of interest to the members of the Mesilla Valley Radio Club. Please send them to Alex. F. Burr, K5XY, Editor, MVRC Local Oscillator, 695 Stone Canyon Drive, Las Cruces, NM 88011. Small personal ads from members will also be published. It would be helpful if submissions would be made in a machine readable form. Windows readable disks are welcome. Files can also be sent to the Internet address k5xy@arrl.net. The club maintains a web site at <http://www.zianet.com/mvrc>.

JOIN THE CLUB

To join the Mesilla Valley Radio Club, renew your membership, or to support the repeaters, please print, cut out, and complete the form below. Send it with dues (\$35 single, \$45 family per year, add \$10 to receive the newsletter by US mail instead of e-mail) to: Treasurer, MVRC, Box 1443, Las Cruces, NM 88004.

Name	
------	--

Club Information

Box or street address	
City	
State	
Zip	
Call	
Class of license	
Phone	
e-mail	
ARRL Member?	

[Return to home page](#)

[Return to Local Oscillator first page](#)

[Return to N5BL home page](#)