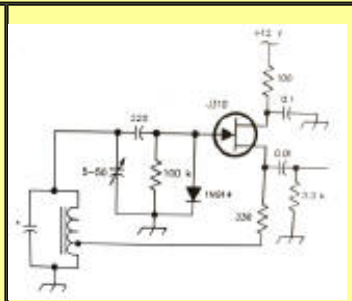


2009

Local Oscillator



December

Mesilla Valley Radio Club

A [pdf file](#) of this issue is available. It should print fairly easily. If you do not have the free pdf file reader, go to <http://www.adobe.com>

Coming Events

Table of Contents

Date	Event	Time
Sun	Slow CW Net 3.575	3:30PM
Sun	CW Net 3.375	4:00PM
M - F	6 m FM net 52.540	6:00AM
T, T	Informal meet Wal-Mart (E)	10:00AM
M, W, F	Informal meet Wal-Mart (W)	10:00AM
Mon	WTRA Swap net 146.88	8 PM
Wed	N5BL Net 146.64	6:45PM
Dec 1	Christmas Dinner - Furr's	6 PM
Dec 09	Board meet - Club House	7 PM
Dec 15?	Builder's Group - Club House	7 PM

[COMING EVENTS](#)
[TABLE OF CONTENTS](#)
[PRESIDENT'S CORNER](#)
[CHRISTMAS DINNER](#)
[BAYLOR PASS RUN](#)
[HORSE EVENT](#)
[TURKEY TROT RACE](#)
[OTHER NEWS](#)
[TREASURER'S REPORT](#)
[BACK PAGE](#)



A KD5OHA - NCS

More information at <http://swantenna.com>

Southwest Antennas & Accessories

<http://swantenna.com>

return to [N5BL](#) home page

The space below is used for acknowledgements and maintaining the site.
Send comments, suggestions, and requests to [Alex. F. Burr](mailto:aburr@qzxservices.com) or send e-mail to aburr@qzxservices.com.
Technical assistance, net access, design, and maintenance provided by qzxservices.com

THE ARTICLES FOR THIS MONTH

PRESIDENT'S CORNER KC5HFJ (SK)

[Return to Table of Contents](#)

CHRISTMAS DINNER

The annual Christmas Dinner will be held December 1 at 6 PM in Furr's Cafeteria near Wal-Mart East.

[Return to Table of Contents](#)

BAYLOR PASS RUN KD5OHA

On Saturday November 14 2009 twelve amateur radio operators, most from the MVRC, were in attendance on the east and west sides of the Organ mountains for the running of the Mesilla Valley Track Clubs annual Baylor Pass run. The race started at 10:00 AM, the first runner crossed the finish line in approximately 50 minutes. The last person crossed the finish line about noon.

There was one unfortunate incident. One of the race officials was helping a car back out of a parking space. He tripped and fell and the car backed over his shoulder. Paramedics were called and he was sent to a hospital. He is resting at home with a broken collar bone. His arm is in a sling and he is doing well.

Thanks to Jack N5PK, Cash KD5SSJ, Charlotte KC5KWI, Richard KC5EVR, Kevin K5KMC, Perry KC7VHS, Dennis KB5TVP, Bob AD5LJ, John WK5C, Joe KI5FJ, Brad KC5SKE, and George KD5OHA for their excellant communications help. The race is over six miles long and over a high mountain pass. Good communications are a vital necessity.

[Return to Table of Contents](#)

HORSE EVENT KD5OHA

On Sunday November 15 2009 Eight amateur radio operators Met at Isaacks Ranch Four miles north of highway 70 on Holman road. We were Jump Judges for the Las Cruces Horseman's Associations Annual Las Cruces Horse Trials Jump Event. There were 54 jumpers. the event started at 9:00A.M. and ended at approximately 1:55 P.M. Thanks to Kevin K5KMC, John WK5C, Perry KC7VHS, Terry KF5DNS, Rick W3GWU, Dennis KB5TPV, Chris KD5SSI(my son), and George

KD5OHA.

[Return to Table of Contents](#)

TURKEY TROT RACE

KD5OHA

On November 26 members of the Mesilla Valley Radio club and other amateur radio operators from the community gathered at the pavilion at Buena Vida Park and along University Avenue to provide communication support for the Mesilla Valley Track Clubs annual 5K Turkey Trot Run and Walk. Providing communications were George KD5OHA (NCS), Jack N5PK, Chris KD5SSI, Henry AD5FE, Brad KC5SKE, Kevin K5KMC, Dennis KB5TPV, Cash KD5SSJ, Joe KI5FJ, Perry KC7VHS, and John WK5C. The first runner on the 5K crossed the finish line in approximately 18 minutes. The last walker crossed the finish line in 1 hour and 2 minutes.

[Return to Table of Contents](#)

OTHER NEWS

Thanks to a report from a local ham, KD5OHA, K5KMC, and KC5SKE were able to observe the ISS and the Space Shuttle pass over New Mexico at 6:18 P.M. Thanksgiving evening.

On November 24 George, KD5OHA and Fred WB4AEJ attended the first planning session for the 2010 Bataan Death March which will be March 21, 2010. The meeting was held at the Frontier Club at White Sands Missile Range.

[Return to Table of Contents](#)

TREASURER'S REPORT

KI5FJ

(November)

INCOME	BUDGET	ACTUAL YTD
Bean Feed Food	400.00	375.00
Breakfast & Drinks	600.00	535
Contributions	250.00	994.44
Dues (Includes 2010 Early)	2000.00	2375
Education Classes	850.00	1208.13 *
Equip Sales & Raffles	1845.00	2158
Bank Interest	30.00	
Other	0.00	
TOTAL	5975.00	7645.57
EXPENSES	BUDGET	ACTUAL YTD
Bean Feed	300.00	296.72
Breakfast & Drinks	400.00	199.96
Clubhouse	400.00	734.91
N5BL Domain Due 09 2014	20.00	
Education Classes	850.00	929.03 *
Field Day	150.00	90.42
Insurance	1000.00	950.00
Misc	100.00	159.42
NM Emergency Fee	30.00	30.00
NM Tax Exempt Fee	10.00	30.00
PO Box Rent	60.00	60.00
Postage	100.00	37.56
President's Fund	75.00	207.17
Property Tax	800.00	1070.46
Repeater Maintenance	600.00	523.70
Electricity	450.00	442.07
Propane	500.00	493.76
Water	150.00	147.78
TOTAL	5995.00	6402.96

AS OF 30 Nov 2009	
INCOME	7645.57
EXPENSES	6402.96

NET

+ 1242.61

* 279.10 for 2010 Classes

[Return to Table of Contents](#)

CLUB INFORMATION

The MVRC Clubhouse is located at the intersection of Wilt and Jefferson in Hacienda Heights. To find the clubhouse, set your destination on your GPS receiver as 32 degrees 22.961 minutes and -106 degrees 41.44 minutes. If you don't own a gps, take the Porter exit on US 70. It is about 5 miles from the I 25 interchange, near the firehouse. Almost immediately south of the south frontage road on the south side of US 70, turn left toward the mountains until you come to Wilt. Turn right. There is a jog in the road, but at 0.35 miles you should come to Jefferson. If you can't see the tower and beam, you shouldn't be driving. The treasurer would be delighted to receive your contribution for landscaping and furnishing.



Officers

Office	Name	Call	Phone	e-mail
President	Perry Welch	KC5HFJ	SK	
Vice-President	Cash Olsen	KD5SSJ	382-1917	kd5ssj@arrl.net
Secretary	Jack Lemons	N5PK	644-7207	jack_N5PK@hotmail.com
Treasurer	Joe Ostrowski	KI5FJ		ki5fj@arrl.net
Board Members	Alex. Burr	K5XY	522-2528	k5xy@arrl.net
	Bob Bennett	AD5LJ	382-0148	rbpbennett1@comcast.net
	Henry Schotzko	AD5FE	AD5FE	schotzko@comcast.net
	Kevin McNelis	K5KMC	571-7326	kmcnelis@nmsu.edu
	Robert Truitt	KE5OFK	649-4173	robtruitt@zianet.com
	Evan Salazar	KE5ZRZ		

The newsletter is always looking for articles and notes of interest to the members of the Mesilla Valley Radio Club. Please send them to Alex. F. Burr, K5XY, Editor, MVRC Local Oscillator, 695 Stone Canyon Drive, Las Cruces, NM 88011. Small personal ads from members will also be published. It would be helpful if submissions would be made in a machine readable form. Windows readable disks are welcome. Files can also be sent to the Internet address k5xy@arrl.net. The club maintains a web site at <http://www.zianet.com/mvrc>.

JOIN THE CLUB

To join the Mesilla Valley Radio Club, renew your membership, or to support the repeaters, please print, cut out, and complete the form below. Send it with dues (\$35 single, \$45 family per year, add \$10 to receive the newsletter by US mail instead of e-mail) to: Treasurer, MVRC, Box 1443, Las Cruces, NM 88004.

Name	
------	--

Club Information

Box or street address	
City	
State	
Zip	
Call	
Class of license	
Phone	
e-mail	
ARRL Member?	

[Return to home page](#)

[Return to Local Oscillator first page](#)

[Return to N5BL home page](#)