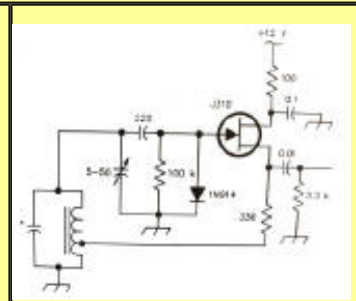


2009

# Local Oscillator



August

Mesilla Valley Radio Club

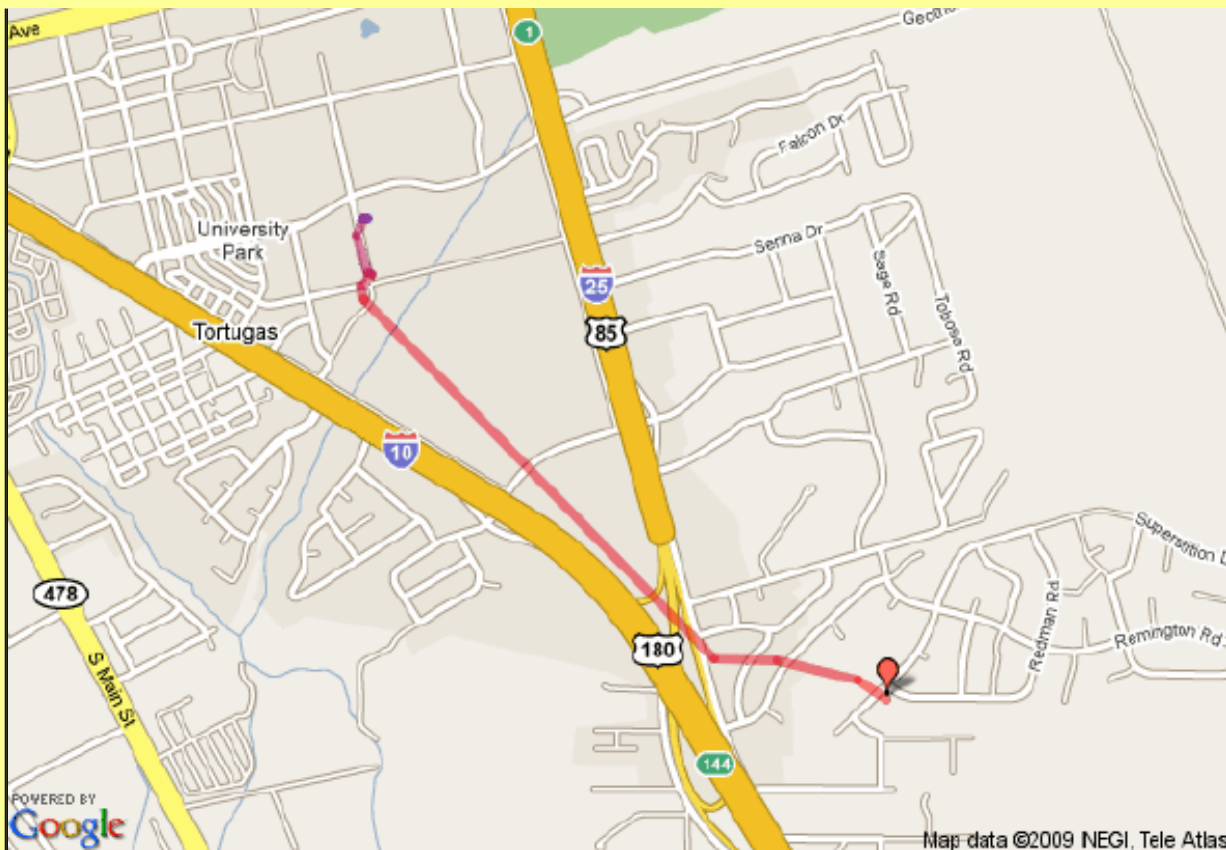
A [pdf file](#) of this issue is available. It should print fairly easily. If you do not have the free pdf file reader, go to <http://www.adobe.com>

## Coming Events

## Table of Contents

Date	Event	Time
Sun	Slow CW Net 3.575	3:30PM
Sun	CW Net 3.375	4:00PM
M - F	6 m FM net 52.540	6:00AM
T, T	Informal meet Wal-Mart (E)	10:00AM
M, W, F	Informal meet Wal-Mart (W)	10:00AM
Mon	WTRA Swap net 146.88	8 PM
Wed	N5BL Net 146.64	6:45PM
Aug 1	Breakfast - Club House	8 AM
Aug 1	Business - Club House	9 AM
Aug 4	Builder's Group - Club House	7 PM
Aug 5	Board meet - Club House	7 PM
Aug 14-15	Duke City Hamfest	
Aug 18	Builder's Group - Club House	7 PM
Sept 5	Breakfast - Club House	
Sept 5	Alamogordo Hamfest	
Oct 3	Pecos Valley ARC Swapfest	

[COMING EVENTS](#)  
[TABLE OF CONTENTS](#)  
[PRESIDENT'S CORNER](#)  
[CLUB NOTES](#)  
[BALLOON](#)  
[TREASURER'S REPORT](#)  
[BACK PAGE](#)



## Balloon ARPS Track

More information at <http://swantenna.com>

# Southwest Antennas & Accessories

<http://swantenna.com>

return to [N5BL](#) home page

The space below is used for acknowledgements and maintaining the site.  
Send comments, suggestions, and requests to [Alex. F. Burr](mailto:aburr@qzxservices.com) or send e-mail to [aburr@qzxservices.com](mailto:aburr@qzxservices.com).  
Technical assistance, net access, design, and maintenance provided by [qzxservices.com](http://qzxservices.com)

## THE ARTICLES FOR THIS MONTH

### PRESIDENT'S CORNER

KC5HFJ

The usual breakfast and business meeting will be held in August.

[Return to Table of Contents](#)

### CLUB NOTES

KD5SSJ

None received

[Return to Table of Contents](#)

### BALLOON

K5XY

Thursday (July 29) a balloon was launched as part of the NM Spaceport effort. It had a tracking ARPS amateur transmitter attached and the track was available in real time for anybody with an Internet connection and tracking software. The picture on the front page shows the initial path. Later the balloon went back and forth in an east west direction south of the White Sands Tracking Range at an altitude of almost 70,000 feet. The call sign used was W5GB-11.

[Return to Table of Contents](#)

### TREASURER'S REPORT

KI5FJ

<b>EXPENSES</b>	<b>BUDGET</b>	<b>ACTUAL YTD</b>
Bean Feed	300.00	296.72
Breakfast & Drinks	400.00	119.75
Clubhouse	400.00	43.84
N5BL Domain Due 09 2014	20.00	

Education Classes	850.00	249.31
Field Day	150.00	90.42
Insurance	1000.00	
Misc	100.00	124.15
NM Emergency Fee	30.00	30.00
NM Tax Exempt Fee	10.00	10.00
PO Box Rent	60.00	60.00
Postage	100.00	
President's Fund	75.00	207.17
Property Tax	800.00	
Repeater Maintenance	600.00	523.70
Electricity	450.00	285.30
Propane	500.00	274.07
Water	150.00	96.69
<b>TOTAL</b>	5995.00	2412.12

<b>AS OF 30 July 2009</b>	
<b>INCOME</b>	5274.08
<b>EXPENSES</b>	2412.12
<b>NET</b>	+2861.96

[Return to Table of Contents](#)

## CLUB INFORMATION

The MVRC Clubhouse is located at the intersection of Wilt and Jefferson in Hacienda Heights. To find the clubhouse, set your destination on your GPS receiver as 32 degrees 22.961 minutes and -106 degrees 41.44 minutes. If you don't own a gps, take the Porter exit on US 70. It is about 5 miles from the I 25 interchange, near the firehouse. Almost immediately south of the south frontage road on the south side of US 70, turn left toward the mountains until you come to Wilt. Turn right. There is a jog in the road, but at 0.35 miles you should come to Jefferson. If you can't see the tower and beam, you shouldn't be driving. The treasurer would be delighted to receive your contribution for landscaping and furnishing.



## Officers

Office	Name	Call	Phone	e-mail
President	Perry Welch	KC5HFJ	373-9171	<a href="mailto:perrywelch@hotmail.com">perrywelch@hotmail.com</a>
Vice-President	Cash Olsen	KD5SSJ	382-1917	<a href="mailto:kd5ssj@arrl.net">kd5ssj@arrl.net</a>
Secretary	Jack Lemons	N5PK	644-7207	<a href="mailto:jack_N5PK@hotmail.com">jack_N5PK@hotmail.com</a>
Treasurer	Joe Ostrowski	KI5FJ		<a href="mailto:ki5fj@arrl.net">ki5fj@arrl.net</a>
Board Members	Alex. Burr	K5XY	522-2528	<a href="mailto:k5xy@arrl.net">k5xy@arrl.net</a>
	Bob Bennett	AD5LJ	382-0148	<a href="mailto:rbennett1@comcast.net">rbennett1@comcast.net</a>
	Henry Schotzko	AD5FE	AD5FE	<a href="mailto:schotzko@comcast.net">schotzko@comcast.net</a>
	Kevin McNelis	K5KMC	571-7326	<a href="mailto:kmcnelis@nmsu.edu">kmcnelis@nmsu.edu</a>
	Robert Truitt	KE5OFK	649-4173	<a href="mailto:robhtruitt@zianet.com">robhtruitt@zianet.com</a>

The newsletter is always looking for articles and notes of interest to the members of the Mesilla Valley Radio Club. Please send them to Alex. F. Burr, K5XY, Editor, MVRC Local Oscillator, 695 Stone Canyon Drive, Las Cruces, NM 88011. Small personal ads from members will also be published. It would be helpful if submissions would be made in a machine readable form. Windows readable disks are welcome. Files can also be sent to the Internet address [k5xy@arrl.net](mailto:k5xy@arrl.net). The club maintains a web site at <http://www.zianet.com/mvrc>.

### JOIN THE CLUB

To join the Mesilla Valley Radio Club, renew your membership, or to support the repeaters, please print, cut out, and complete the form below. Send it with dues (\$35 single, \$45 family per year, add \$10 to receive the newsletter by US mail instead of e-mail) to: Treasurer, MVRC, Box 1443, Las Cruces, NM 88004.

Name	
Box or street address	

Club Information

City	
State	
Zip	
Call	
Class of license	
Phone	
e-mail	
ARRL Member?	

[Return to home page](#)

[Return to Local Oscillator first page](#)

[Return to N5BL home page](#)