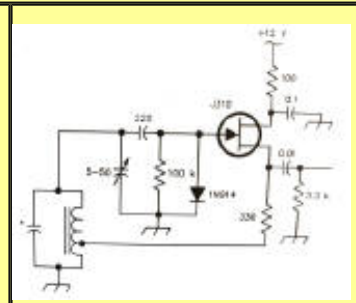


2009

Local Oscillator



May

Mesilla Valley Radio Club

A [pdf file](#) of this issue is available. It should print fairly easily. If you do not have the free pdf file reader, go to <http://www.adobe.com>

Coming Events

Table of Contents

| Date | Event | Time |
|---------|------------------------------|---------|
| Sun | Slow CW Net 3.575 | 3:30PM |
| Sun | CW Net 3.375 | 4:00PM |
| M - F | 6 m FM net 52.540 | 6:00AM |
| M - F | round-table 52.525 | 8:00PM |
| T, T | Informal meet Wal-Mart (E) | 10:00AM |
| M, W, F | Informal meet Wal-Mart (W) | 10:00AM |
| Mon | WTRA Swap net 146.88 | 8 PM |
| Wed | N5BL Net 146.64 | 6:45PM |
| May 2 | Breakfast - Club House | 8 AM |
| May 2 | Business - Club House | 9 AM |
| May 5 | Builder's Group - Club House | 7:00PM |
| May 6 | Board meeting - Club House | 7 PM |
| May 29 | Builder's Group - Club House | 7 PM |

COMING EVENTS
 TABLE OF CONTENTS
[PRESIDENT'S CORNER](#)
[CLUB NOTES](#)
[2009 BEAN FEED](#)
[BATAAN MEMORIAL DEATH MARCH](#)
[HORSE RACE](#)
[UNCLASSIFIED](#)
[TREASURER'S REPORT](#)
[BACK PAGE](#)



2009 Beans

More information at <http://swantenna.com>

Southwest Antennas & Accessories

<http://swantenna.com>

return to [N5BL](#) home page

The space below is used for acknowledgements and maintaining the site.
Send comments, suggestions, and requests to [Alex. F. Burr](mailto:aburr@qzxservices.com) or send e-mail to aburr@qzxservices.com.

THE ARTICLES FOR THIS MONTH

PRESIDENT'S CORNER

KC5HFJ

The usual breakfast and business meeting will be held May 2

[Return to Table of Contents](#)

CLUB NOTES

KD5SSJ

I have received a report that Perry Welch (MVRC President) is in the hospital in Utah, but I don't know the nature of the illness or accident. Please add Perry and his wife to your prayers.

The presenter for the May membership meeting is Louis Poli N3OL, his topic is: The Classic Amateur Experimenter

Rcv's, power amplifiers, and antennas (and some really neat tubes)

[Return to Table of Contents](#)

2009 BEAN FEED

The big news this month is, of course, the annual bean feed. One could not have asked for better weather. The Bean Feed started before sunrise. By 7 AM most of the good tailgating spots were taken. People continued to arrive until about 11 AM when the beans (and chile) were served along with corn bread and salad. In the meantime friendships were renewed, new and old ham gear was inspected, antennas sold, and old bugs admired. The street construction did not impede anybody and the overflow parking lot was well used.

Southwest Antennas donated a very nice wire antenna for a door prize, the ARRL had a display and donated prizes. KI5FJ was busy selling prize tickets for these prizes, including a large mystery box the identify of which most people never did learn. The club received a significant amount of money for donated equipment.

The Bean Feed featured two organized events.

One was a PSK 31 demonstration by KI5FJ. People stopped by the demo table and learned more about this interesting audio frequency shift keying (AFSK) mode of communication. Two types of software were shown transmitting and receiving test messages. MultiPSK, a freeware and MixW a \$60 registered version were running on two Dell laptops. The PCs were connected together via isolation transformers.

The importance of the correct transmitting AFSK level adjustment was highlighted. The unwanted sideband distortion from overdrive was shown as a poor Inter-Modulation Distortion (IMD). An excellent (GOOD) IMD of - 40 dB was compared to a poor (BAD) IMD of - 15 dB.

VE Testing was popular. In fact twice as many showed up for the tests as had registered but the VE team was prepared.

Five candidates successfully passed tests at the VE session held at the Bean Feed.

Technician Test: David Meek from Alto, NM

General Test: Doug Alford KD5RYX --- Deming, NM

Extra Test:

William Bretz W6TBC --- Las Cruces

Juan Puentes --- N5XOC --- El Paso, TX

Ricardo Rosario --- KE5UJG --- El Paso, TX

More pictures are available of the Bean Feed. They will appear (perhaps not until next week, unless they are there now) on the photos section of the club's web site at <http://n5bl.org>

<http://pages.swcp/~n5xgt/nmqsoparty>.

BATAAN MEMORIAL DEATH MARCH KD5OHA

A big thanks to the following for their help with communications at the 20th Annual Bataan Memorial Death March on March 29th.

Start/Finish George KD5OHA, Vern WV5N, Water Pt.1 Tres KD5ZHI, Rick W3GWU, WP2 Bob K5PPP, Verna KD5PUN, WP2A Dennis KB5TPV, Tony KU5P, WP3/9 Cash KD5SSJ, WP4/8 John WK5C, Dave KE5IAH, WP5 Henry AD5FE, WP6 Bob AD5LJ, WP7 Dave W7DZG, Chad KF4ESM, WP10 Mike KE5FBT, WP11 Karl K5DI, WP12 Kevin K5KMC Sand Pit Perry KC7VHS. We had to be in position by 04:30 and the last person did not cross the finish line until 10:45P.M. This year there were 5,260 people entered A new record.

[Return to Table of Contents](#)

HORSE RACE

KD5OHA

On April 17 2009 several Hams from Las Cruces and two from T or C. traveled north on I 25 to Exit 100 to get to the Indian Springs Horse Endurance Race. There were 2 events 50 & 25 mile race on Saturday, 18. The 50 mile race started at 06:30 and finished at 5:45P.M. The 25 mile race started at 07:00 and finish at 14:30. There were a total of 33 Racers in the Saturday event. On Sunday April 19 there was a 50 mile event and a 25 mile event. Those finishing the 50 mile event got credit for a 100 mile 2 day event. This race and the 25 mile race both started at 07:00, the 25 mile race finished at Noon The last person in the 50 mile race crossed the finish line at 16:14. Thanks to George KD5OHA, Kevin K5KMC, Perry KC7VHS, Bob AD5LJ, and Bob K5PPP & Verna KD5PUN from T or C for helping both days.

P.S. The next race the MVRC will cover will be The Whole Enchilada Fiesta in September.

[Return to Table of Contents](#)

UNCLASSIFIED

FOR SALE: 40 Ft Universal Aluminum Tower

3 Element Triband Yagi

5 Element 6 Meter Yagi

Rotor and Cables

Contact kc7enb@comcast.net

Make an Offer !!!

[Return to Table of Contents](#)

TREASURER'S REPORT

KI5FJ

| INCOME | BUDGET | ACTUAL YTD |
|-----------------------|---------------|-------------------|
| Bean Feed Food | 400.00 | 375.00 |
| Breakfast & Drinks | 600.00 | 342 |
| Contributions | 250.00 | 97.44 |
| Dues | 2000.00 | 1785 |
| Education Classes | 850.00 | 220.00 |
| Equip Sales & Raffles | 1845.00 | 2053 |
| Bank Interest | 30.00 | |
| Other | 0.00 | |

TOTAL

5975.00

4872.44

| EXPENSES | BUDGET | ACTUAL YTD |
|----------------------|---------------|-------------------|
| Bean Feed | 300.00 | 296.72 |
| Breakfast & Drinks | 400.00 | 47.44 |
| Clubhouse | 400.00 | 43.84 |
| Education Classes | 850.00 | 249.31 |
| Field Day | 150.00 | |
| Insurance | 1000.00 | |
| Misc | 100.00 | 121.15 |
| NM Emergency Fee | 30.00 | 30.00 |
| NM Tax Exempt Fee | 10.00 | 10.00 |
| PO Box Rent | 60.00 | |
| Postage | 100.00 | |
| President's Fund | 75.00 | 78.96 |
| Property Tax | 800.00 | |
| Repeater Maintenance | 600.00 | 212.91 |
| Electricity | 450.00 | 164.72 |
| Propane | 500.00 | 39.29 |
| Water | 150.00 | 59.91 |
| TOTAL | 5975.00 | 1354.25 |

**AS OF 30APR
2009**

INCOME

4872.44

EXPENSES

1354.25

NET

+3518.19

[Return to Table of Contents](#)

CLUB INFORMATION

The MVRC Clubhouse is located at the intersection of Wilt and Jefferson in Hacienda Heights. To find the clubhouse, set your destination on your GPS receiver as 32 degrees 22.961 minutes and -106 degrees 41.44 minutes. If you don't own a gps, take the Porter exit on US 70. It is about 5 miles from the I 25 interchange, near the firehouse. Almost immediately south of the south frontage road on the south side of US 70, turn left toward the mountains until you come to Wilt. Turn right. There is a jog in the road, but at 0.35 miles you should come to Jefferson. If you can't see the tower and beam, you shouldn't be driving. The treasurer would be delighted to receive your contribution for landscaping and furnishing.



Officers

| Office | Name | Call | Phone | e-mail |
|----------------|----------------|--------|----------|--|
| President | Perry Welch | KC5HFJ | 373-9171 | perrywelch@hotmail.com |
| Vice-President | Cash Olsen | KD5SSJ | 382-1917 | kd5ssj@arrl.net |
| Secretary | Jack Lemons | N5PK | 644-7207 | jack_N5PK@hotmail.com |
| Treasurer | Joe Ostrowski | KI5FJ | | ki5fj@arrl.net |
| Board Members | Alex. Burr | K5XY | 522-2528 | k5xy@arrl.net |
| | Bob Bennett | AD5LJ | 382-0148 | rbennett1@comcast.net |
| | Henry Schotzko | AD5FE | AD5FE | schotzko@comcast.net |
| | Kevin McNelis | K5KMC | 571-7326 | kmcnelis@nmsu.edu |
| | Robert Truitt | KE5OFK | 649-4173 | robhtruitt@zianet.com |

The newsletter is always looking for articles and notes of interest to the members of the Mesilla Valley Radio Club. Please send them to Alex. F. Burr, K5XY, Editor, MVRC Local Oscillator, 695 Stone Canyon Drive, Las Cruces, NM 88011. Small personal ads from members will also be published. It would be helpful if submissions would be made in a machine readable form. Windows readable disks are welcome. Files can also be sent to the Internet address k5xy@arrl.net. The club maintains a web site at <http://www.zianet.com/mvrc>.

JOIN THE CLUB

To join the Mesilla Valley Radio Club, renew your membership, or to support the repeaters, please print, cut out, and complete the form below. Send it with dues (\$35 single, \$45 family per year, add \$10 to receive the newsletter by US mail instead of e-mail) to: Treasurer, MVRC, Box 1443, Las Cruces, NM 88004.

| | |
|-----------------------|--|
| Name | |
| Box or street address | |

Club Information

| | |
|------------------|--|
| City | |
| State | |
| Zip | |
| Call | |
| Class of license | |
| Phone | |
| e-mail | |
| ARRL Member? | |

[Return to home page](#)

[Return to Local Oscillator first page](#)

[Return to N5BL home page](#)