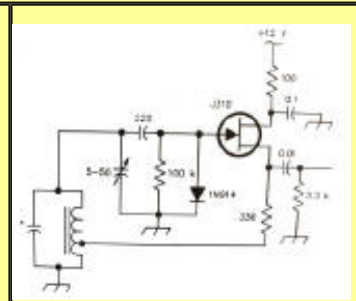


2009

# Local Oscillator



April

Mesilla Valley Radio Club

A [pdf file](#) of this issue is available. It should print fairly easily. If you do not have the free pdf file reader, go to <http://www.adobe.com>

## Coming Events

## Table of Contents

Date	Event	Time
Sun	Slow CW Net 3.575	3:30PM
Sun	CW Net 3.375	4:00PM
M - F	6 m FM net 52.540	6:00AM
M - F	round-table 52.525	8:00PM
T, T	Informal meet Wal-Mart (E)	10:00AM
M, W, F	Informal meet Wal-Mart (W)	10:00AM
Mon	WTRA Swap net 146.88	8 PM
Wed	N5BL Net 146.64	6:45PM
April 4	Breakfast - Club House	8 AM
April 4	Business - Club House	9 AM
April 7	Builder's Group - Club House	7:00PM
April 8	Board meeting - Club House	7 PM
April 21	Builder's Group - Club House	7 PM
Apr 26	Bean Feed - Club House	7 AM

[COMING EVENTS](#)  
[TABLE OF CONTENTS](#)  
[PRESIDENT'S CORNER](#)  
[CLUB NOTES](#)  
[BREAKFAST APRIL 4](#)  
[VE TESTING SESSION](#)  
[BEAN FEED](#)  
[DUES](#)  
[TREASURER'S REPORT](#)  
[BACK PAGE](#)



## 2008 Bean Feed Tickets

More information at <http://swantenna.com>

# Southwest Antennas & Accessories

<http://swantenna.com>

return to [N5BL](#) home page

The space below is used for acknowledgements and maintaining the site.

Send comments, suggestions, and requests to [Alex. F. Burr](#) or send e-mail to [aburr@qzxservices.com](mailto:aburr@qzxservices.com).

Technical assistance, net access, design, and maintenance provided by [qzxservices.com](http://qzxservices.com)

## THE ARTICLES FOR THIS MONTH

### PRESIDENT'S CORNER

KC5HFJ

The usual breakfast and business meeting will be held March 7.

[Return to Table of Contents](#)

### CLUB NOTES

KD5SSJ

The guest speaker for the April meeting is Ms. Karen Little. She has agreed to make about a 45 minute presentation on Estate and Trust planning. Recent changes in laws have made certain aspects of this vast subject more complicated and may have invalidated documents prepared even recently.

The club house is the responsibility of all of the members and I want to bring up a couple of things related to housekeeping. After the March club meeting I went to use the toilet and it was at the flood stage, somebody had used it during the meeting and perhaps put in way to much paper and it didn't all go down. I flushed it again and had to mop up the overflow. The next Monday evening Fred WB4AEJ also had to mop up an overflow. The point I want to make is that if something is wrong, take care of it or at the very least get in touch with one of the Officers or Directors of the club so that we can get it taken care of. During the past

week Bob AD5LJ and I were working on the outside lighting, I went in to use the bathroom and there was no TP and no paper towels. Toilet paper and paper towels are kept under the sink and you should replenish empty rolls yourself. We don't have a janitor so we have to do it ourselves. When you see something that needs attention, take care of it.

Tres and I will team up again to do the Chili for the Beanfeed, which is only about one month down the road. We also did some dividing of tasks and I made several phone calls to ask for help. We will have a VE session after the beans have been served, if you or someone you know would like to take an exam get in touch with John N5WQ at 373-1166 or N5WQ@zianet.com .

[Return to Table of Contents](#)

### BREAKFAST APRIL 4

K5KMC

The breakfast for Saturday will be Western Omelet (onions, bell peppers, mushrooms, ham, bacon & cheese)

Biscuits

Pancakes

Also I will be seeking volunteers for the Bean Feed  
<http://pages.swcp/~n5xgt/nmqsoparty>.

VE TESTING SESSION  
N5WQ

Two VE testing sessions were held this month at the club house.

The results are:

a new Technician license for:

Joe Vanderburg

and a new General license for:

Gregory Burns, KE5ISW

Congratulations to both!

[Return to Table of Contents](#)

BEAN FEED

The Bean Feed will be held as usual on the last Sunday in April (April 26). It will start around 7 AM and last until sometime in the afternoon. Parking will be available, tail gates will be down, and beans will be cooked. It is possible that a satellite pass will be heard. Also a PSK 31 demonstration featuring contact and hook-up information will be given. Everything is free except the food. If you are interested in taking a VE exam, inquire when you buy your food ticket.

[Return to Table of Contents](#)

DUES

KI5FJ

The 2009 dues are due before 1 May, the earlier the better.

As a reminder, please include the following info with your dues check:

Call Sign(s) if FAMILY, Class, Name, Address, email address  
ARRL Member Y/N and optional PHONE Number.

The reason I would appreciate your phone number is to clarify your email if it bounces.

If you desire to pay CASH at the next meeting, please write down the above info it will speed up the process...

Please address your info to [ki5fj@arrl.net](mailto:ki5fj@arrl.net)

[Return to Table of Contents](#)

## TREASURER'S REPORT KI5FJ

<b>INCOME</b>	<b>BUDGET</b>	<b>ACTUAL YTD</b>
Bean Feed	400.00	
Breakfast & Drinks	600.00	270
Contributions	250.00	50.00
Dues	2000.00	1540
Education Classes	850.00	220.00
Equip Sales	1845.00	250
Bank Interest	30.00	
Other	0.00	
<b>TOTAL</b>	5975.00	2330

<b>EXPENSES</b>	<b>BUDGET</b>	<b>ACTUAL YTD</b>
Bean Feed	300.00	
Breakfast & Drinks	400.00	
Clubhouse	400.00	43.84
Education Classes	850.00	249.31
Field Day	150.00	
Insurance	1000.00	
Misc	100.00	10.00
NM Emergency Fee	30.00	30.00
NM Tax Exempt Fee	10.00	10.00
PO Box Rent	60.00	
Postage	100.00	
President's Fund	75.00	
Property Tax	800.00	
Repeater Maintenance	600.00	212.91

Electricity	450.00	135.21
Propane	500.00	19.96
Water	150.00	47.94
<b>TOTAL</b>	5975.00	749.17

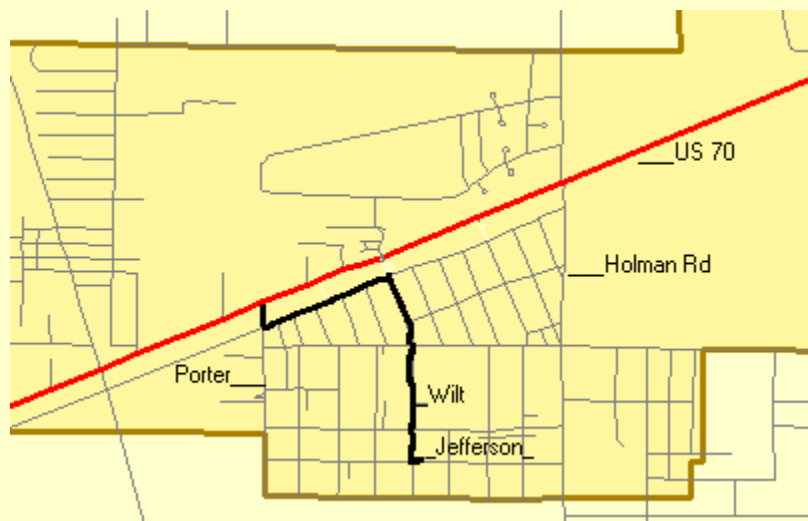
<b>AS OF 31 MAR 2009</b>	
<b>INCOME</b>	2330
<b>EXPENSES</b>	749.17
<b>NET</b>	+1580.83

[Return to Table of Contents](#)

[Return to N5BL home page](#)

## CLUB INFORMATION

The MVRC Clubhouse is located at the intersection of Wilt and Jefferson in Hacienda Heights. To find the clubhouse, set your destination on your GPS receiver as 32 degrees 22.961 minutes and -106 degrees 41.44 minutes. If you don't own a gps, take the Porter exit on US 70. It is about 5 miles from the I 25 interchange, near the firehouse. Almost immediately south of the south frontage road on the south side of US 70, turn left toward the mountains until you come to Wilt. Turn right. There is a jog in the road, but at 0.35 miles you should come to Jefferson. If you can't see the tower and beam, you shouldn't be driving. The treasurer would be delighted to receive your contribution for landscaping and furnishing.



## Officers

Office	Name	Call	Phone	e-mail
President	Perry Welch	KC5HFJ	373-9171	<a href="mailto:perrywelch@hotmail.com">perrywelch@hotmail.com</a>
Vice-President	Cash Olsen	KD5SSJ	382-1917	<a href="mailto:kd5ssj@arrl.net">kd5ssj@arrl.net</a>
Secretary	Jack Lemons	N5PK	644-7207	<a href="mailto:jack_N5PK@hotmail.com">jack_N5PK@hotmail.com</a>
Treasurer	Joe Ostrowski	KI5FJ		<a href="mailto:ki5fj@arrl.net">ki5fj@arrl.net</a>
Board Members	Alex. Burr	K5XY	522-2528	<a href="mailto:k5xy@arrl.net">k5xy@arrl.net</a>
	Bob Bennett	AD5LJ	382-0148	<a href="mailto:rbennett1@comcast.net">rbennett1@comcast.net</a>
	Henry Schotzko	AD5FE	AD5FE	<a href="mailto:schotzko@comcast.net">schotzko@comcast.net</a>
	Kevin McNelis	K5KMC	571-7326	<a href="mailto:kmcnelis@nmsu.edu">kmcnelis@nmsu.edu</a>
	Robert Truitt	KE5OFK	649-4173	<a href="mailto:robhtruitt@zianet.com">robhtruitt@zianet.com</a>

The newsletter is always looking for articles and notes of interest to the members of the Mesilla Valley Radio Club. Please send them to Alex. F. Burr, K5XY, Editor, MVRC Local Oscillator, 695 Stone Canyon Drive, Las Cruces, NM 88011. Small personal ads from members will also be published. It would be helpful if submissions would be made in a machine readable form. Windows readable disks are welcome. Files can also be sent to the Internet address [k5xy@arrl.net](mailto:k5xy@arrl.net). The club maintains a web site at <http://www.zianet.com/mvrc>.

### JOIN THE CLUB

To join the Mesilla Valley Radio Club, renew your membership, or to support the repeaters, please print, cut out, and complete the form below. Send it with dues (\$35 single, \$45 family per year, add \$10 to receive the newsletter by US mail instead of e-mail) to: Treasurer, MVRC, Box 1443, Las Cruces, NM 88004.

Name	
Box or street address	



Club Information

City	
State	
Zip	
Call	
Class of license	
Phone	
e-mail	
ARRL Member?	

[Return to home page](#)

[Return to Local Oscillator first page](#)

[Return to N5BL home page](#)