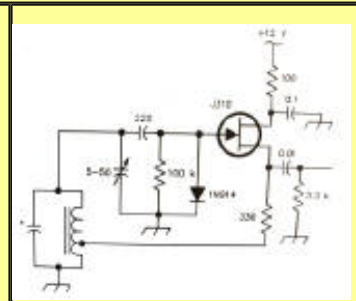


2009

# Local Oscillator



March

Mesilla Valley Radio Club

A [pdf file](#) of this issue is available. It should print fairly easily. If you do not have the free pdf file reader, go to <http://www.adobe.com>

## Coming Events

## Table of Contents

Date	Event	Time
Sun	Slow CW Net 3.575	3:30PM
Sun	CW Net 3.375	4:00PM
M - F	6 m FM net 52.540	6:00AM
M - F	round-table 52.525	8:00PM
T, T	Informal Wal-Mart (E)	10:00AM
M, W, F	Informal Wal-Mart (W)	10:00AM
Mon	WTRA Swap net 146.88	8 PM
Wed	Net 146.64	6:45PM
Mar 3	Builder's Group - Club House	7:00PM
Mar 7	Breakfast - Club House	8 AM
Mar 7	Business - Club House	9 AM
Mar 11	Board meeting - Club House	7 PM
Mar 18	Builder's Group - Club House	7 PM
Apr 26	Bean Feed - Club House	7 AM

COMING EVENTS  
 TABLE OF CONTENTS  
[PRESIDENT'S CORNER](#)  
[BATAAN DEATH MARCH](#)  
[FEBRUARY 7](#)  
[BUILDER'S GROUP](#)  
[CLUB HISTORY](#)  
[ARRL DIVISION CONVENTION](#)  
[NEW CLUB STATION IN TOWN](#)  
[DUES](#)  
[TREASURER'S REPORT](#)  
[BACK PAGE](#)



## Builder's Group at Work

More information at <http://swantenna.com>

# Southwest Antennas & Accessories

<http://swantenna.com>

The space below is used for acknowledgements and maintaining the site.  
Send comments, suggestions, and requests to [Alex. F. Burr](mailto:Alex.F.Burr) or send e-mail to [aburr @ qzxservices.com](mailto:aburr@qzxservices.com).  
Technical assistance, net access, design, and maintenance provided by [qzxservices.com](http://qzxservices.com)

## THE ARTICLES FOR THIS MONTH

### PRESIDENT'S CORNER

KC5HFJ

The usual breakfast and business meeting will be held March 7.

[Return to Table of Contents](#)

### BATAAN DEATH MARCH

KD5OHA

This event is Sunday March 29, 2009. If you can help I need your T shirt size, drivers license number, and your vehicle make, model, year, color, and license plate number. I need this information by February 24 if you want a the T shirt and security pass. If you are driving you must have one of these passes to get on the course. Also let me know if you want a meal. (Warning the meals will be MRE meals ready to eat.) If you are ex=military and like these that is fine. If you have never experienced them before I strongly suggest that you bring your own food and drink. NO ALCOHOL!

I would like to have two people at each station. There are 12 stations. This is what I have so far. WP 1 2 people WP2 2people WP3/9 1 person WP4/8 1 person WR5 2 people WP6 1 person WP7 1 person WP10 1 person WP11 1person WP12 1 person. The sand pit only requires 1 person but 2 would be nice. In case you are not familiar with the Bataan Death March WP3/9 and WP4/8 are together. Last years event had over FOUR THOUSAND entries. If you can help please let me know as soon as possible. George 525-1958

[Return to Table of Contents](#)

### FEBRUARY 7

K5XY

February 7 will be an unusually busy day for MVRC. First, breakfast at 8AM. The menu is

- Biscuits (not homemade, but OH WELL...)

- White pepper gravy with sausage and bacon crumbles
- Fruit salad with a yougurt/creme'fraiche dressing
- And, of course, pancakes.
- Price = \$4 as usual.

Next the business meeting at 9 AM. KI5FJ spoke on a digital soundcard interface to permit all kinds of digital transmissions. See the article below for more information on that interface. This was followed by participation in the NM QSO party starting at 11 AM. About 30 people participated with 20 operators. Something like 30 contacts were made. Results will be posted on the internet at URL

<http://pages.swcp/~n5xgt/nmqsoparty>.

Then at noon to 2PM there was a demonstration on how to hook-up a digital to analog set top converter box for the change from analog to digital TV. The demonstration was held even though the deadline for the modulation changeover was postponed .

At 6 PM there was food for the contesters. For those who want to participate in the New Mexico QSO Party, K5KMC made chicken and andouille gumbo with white rice on the side. Dinner started about 1800 hours local, but gumbo and rice stayed warm well.

[Return to Table of Contents](#)

## BUILDER'S GROUP

### K5XY

The builder's Group met at the club house Tuesday, March 3. at 7 pm. The digital sound card interfaces that had been ordered had come in and were distributed.

The completely assembled units included two CDs loaded with programs, a RS232 to USB interface cable, and a custom made cable to interface the unit to your radio. The total cost was significantly less than the interfaces advertised in QST. Several club members had uses this interface and recommended it.

Installation details were discussed. Three members of the group had brought their computers and radios so they had the interfaces completely installed that evening. It was mentioned that the usual frequency for PSK31 is at 14.07 MHz and stated that there would be activity in Las Cruces on 147.66 MHz.

[Return to Table of Contents](#)

## CLUB HISTORY

### K5XY

There is available in the club house a lot of history of the club in the form of six fine blue bound volumes. The first volume covers from 1950 to 1960, but actually has information from some other years too. Some pages are formal history pages, others contain lists of members, the constitution, and some minutes. The next five contain mostly back issues of the Local Oscillator. Unfortunately all issues in this time span are not available. However these volumes, which cover the years from 1980 to 2005, are almost complete. In fact almost all the Local Oscillators from those years are contained in those volumes. All the Local Oscillators after those dates are no the Local Oscillator web site at URL <http://www.mvrc.qzxwservices.com>. Thus a more complete history and record of our club than most clubs is readily available.

This information was collected, organized, and excellently presentd by AD5LJ, Bob Bennett. The club owes him lots of thanks.

[Return to Table of Contents](#)

## ARRL ROCKY MOUNTAIN DIVISION CONVENTION

A little over THREE months remain until the 2009 Rocky Mountain Division Convention (May 29-31). Have you made plans to join up to many hundreds of Hams in beautiful Estes Park, Colorado...gateway to Rocky Mountain National Park?

Registration is happening as we speak, and special hotel rates have been negotiated for convention attendees.

Among the guest speakers: Riley Hollingsworth K4ZDH (retired Special Counsel for the Spectrum Enforcement Division of the FCC's Enforcement Bureau), Harold Kraemer WJ1B (ARRL Chief Operating Officer), Gordon Hardman W0RUN (2009 Desecheo Island DXpedition participant and chief engineer of Alpha Radio Products), Mike Gruber W1MG (ARRL EMC Engineer and contributor to "The Doctor Is IN" QST column), and Brian Milesosky N5ZGT (Director, ARRL Rocky Mountain Division).

There will be plenty of technical and non-technical forums, great meals, and one heck of a time meeting and greeting hams from all over the Division. A great event with a very fitting theme: "Amateur Radio: Resilient, Relevant, Ready"

Please mark your calendars and visit the Division convention's website at <http://www.hamconcolorado.org> for more details, including registration information. Join us for a great time at an awesome venue. [Return to Table of Contents](#)

**NEW CLUB STATION IN TOWN**  
**KI5FJ**

The Dona Ana Communicator's Amateur Radio Club has been issued club call sign, KE5ZFK.

This call sign will be used at the DA County EOC. A licensed amateur radio operator must be present at the EOC and take responsibility as CONTROL OPERATOR.

The License Class (Tech, General, Advanced, Extra) of the CONTROL OPERATOR restricts KE5ZFK operation to within the control operator's authorized band privileges. [Return to Table of Contents](#)

**DUES**  
**KI5FJ**

The 2009 dues are due before 1 May, the earlier the better.

As a reminder, please include the following info with your dues check:

Call Sign(s) if FAMILY, Class, Name, Address, email address  
ARRL Member Y/N and optional PHONE Number.

The reason I would appreciate your phone number is to clarify your email if it bounces.

If you desire to pay CASH at the next meeting, please write down the above info it will speed up the process...

Please address your info to [ki5fj@arrl.net](mailto:ki5fj@arrl.net)  
[Return to Table of Contents](#)

**TREASURER'S REPORT**  
**KI5FJ**

<b>INCOME</b>	<b>BUDGET</b>	<b>ACTUAL YTD</b>
---------------	---------------	-------------------

Bean Feed	400.00	
Breakfast & Drinks	600.00	214
Contributions	250.00	50.00
Dues	2000.00	1435
Education Classes	850.00	220.00
Equip Sales	1845.00	250
Bank Interest	30.00	
Other	0.00	
<b>TOTAL</b>	5975.00	2169.00

<b>EXPENSES</b>	<b>BUDGET</b>	<b>ACTUAL YTD</b>
Bean Feed	300.00	
Breakfast & Drinks	400.00	
Clubhouse	400.00	43.84
Education Classes	850.00	249.31
Field Day	150.00	
Insurance	1000.00	
Misc	100.00	10.00
NM Emergency Fee	30.00	30.00
NM Tax Exempt Fee	10.00	
PO Box Rent	60.00	
Postage	100.00	
President's Fund	75.00	
Property Tax	800.00	
Repeater Maintenance	600.00	212.91
Electricity	450.00	107.83
Propane	500.00	19.96
Water	150.00	35.96
<b>TOTAL</b>	5975.00	709.81

<b>28 FEB 2009</b>	
<b>INCOME</b>	2169
<b>EXPENSES</b>	709.81

**NET**

+ 682.05

[Return to Table of Contents](#)



## CLUB INFORMATION

The MVRC Clubhouse is located at the intersection of Wilt and Jefferson in Hacienda Heights. To find the clubhouse, set your destination on your GPS receiver as 32 degrees 22.961 minutes and -106 degrees 41.44 minutes. If you don't own a gps, take the Porter exit on US 70. It is about 5 miles from the I 25 interchange, near the firehouse. Almost immediately south of the south frontage road on the south side of US 70, turn left toward the mountains until you come to Wilt. Turn right. There is a jog in the road, but at 0.35 miles you should come to Jefferson. If you can't see the tower and beam, you shouldn't be driving. The treasurer would be delighted to receive your contribution for landscaping and furnishing.



## Officers

Office	Name	Call	Phone	e-mail
President	Perry Welch	KC5HFJ	373-9171	<a href="mailto:perrywelch@hotmail.com">perrywelch@hotmail.com</a>
Vice-President	Cash Olsen	KD5SSJ	382-1917	<a href="mailto:kd5ssj@arrl.net">kd5ssj@arrl.net</a>
Secretary	Jack Lemons	N5PK	644-7207	<a href="mailto:jack_N5PK@hotmail.com">jack_N5PK@hotmail.com</a>
Treasurer	Joe Ostrowski	KI5FJ		<a href="mailto:ki5fj@arrl.net">ki5fj@arrl.net</a>
Board Members	Alex. Burr	K5XY	522-2528	<a href="mailto:k5xy@arrl.net">k5xy@arrl.net</a>
	Bob Bennett	AD5LJ	382-0148	<a href="mailto:rbennett1@comcast.net">rbennett1@comcast.net</a>
	Henry Schotzko	AD5FE	AD5FE	<a href="mailto:schotzko@comcast.net">schotzko@comcast.net</a>
	Kevin McNelis	K5KMC	571-7326	<a href="mailto:kmcnelis@nmsu.edu">kmcnelis@nmsu.edu</a>
	Robert Truitt	KE5OFK	649-4173	<a href="mailto:robhtruitt@zianet.com">robhtruitt@zianet.com</a>

The newsletter is always looking for articles and notes of interest to the members of the Mesilla Valley Radio Club. Please send them to Alex. F. Burr, K5XY, Editor, MVRC Local Oscillator, 695 Stone Canyon Drive, Las Cruces, NM 88011. Small personal ads from members will also be published. It would be helpful if submissions would be made in a machine readable form. Windows readable disks are welcome. Files can also be sent to the Internet address [k5xy@arrl.net](mailto:k5xy@arrl.net). The club maintains a web site at <http://www.zianet.com/mvrc>.

### JOIN THE CLUB

To join the Mesilla Valley Radio Club, renew your membership, or to support the repeaters, please print, cut out, and complete the form below. Send it with dues (\$35 single, \$45 family per year, add \$10 to receive the newsletter by US mail instead of e-mail) to: Treasurer, MVRC, Box 1443, Las Cruces, NM 88004.

Name	
Box or street address	

City	
State	
Zip	
Call	
Class of license	
Phone	
e-mail	
ARRL Member?	

[Return to home page](#)

[Return to Local Oscillator first page](#)