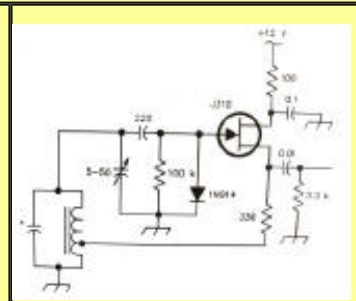


2009

Local Oscillator



February

Mesilla Valley Radio Club

A [pdf file](#) of this issue is available. It should print fairly easily. If you do not have the free pdf file reader, go to <http://www.adobe.com>

Coming Events

Table of Contents

Date	Event	Time
Sun	CW Net 3.565	5:00PM
M - F	6 m FM net 52.540	6:00AM
M - F	round-table 52.525	8:00PM
T, T	Informal Wal-Mart (E)	10:00AM
M, W, F	Informal Wal-Mart (W)	10:00AM
Mon	WTRA Swap net 146.88	8 PM
Wed	Net 146.64	6:45PM
Feb 7	Breakfast - Club House	8 AM
Feb 7	Business - Club House	9 AM
Feb 7	NM QSO Party - Club House	7 PM
Feb 7-8	NM QSO Party see www.swcp.com/~n5zgt/nmqsoparty	
Apr 26	Bean Feed - Club House	7 AM

COMING EVENTS
 TABLE OF CONTENTS
[PRESIDENT'S CORNER](#)
[VP PLANS](#)
[FEBRUARY 7](#)
[NM QSO PARTY](#)
[DUES](#)
[BEAN FEED](#)
[BACK PAGE](#)



New Board at Work

More information at <http://swantenna.com>

Southwest Antennas & Accessories

<http://swantenna.com>

The space below is used for acknowledgements and maintaining the site.
Send comments, suggestions, and requests to [Alex. F. Burr](mailto:Alex.F.Burr) or send e-mail to [aburr @ qzxservices.com](mailto:aburr@qzxservices.com).
Technical assistance, net access, design, and maintenance provided by qzxservices.com

THE ARTICLES FOR THIS MONTH

PRESIDENT'S CORNER

KC5HFJ

The usual breakfast and busines meeting will be held February 7. (With lots of other activites>)

[Return to Table of Contents](#)

VP PLANS

KD5SSJ

The invited speaker for the February meeting is Joe Ostrowski who will present a demonstration of two portable VHF Radios with digital interfaces, that can be used in any one of several digital modes to pass traffic. Joe made this presentation for a large audience of ARES/RACES participants at the Office of Emergency Management earlier this month. As a result, the Builders Group has agreed to make the digital interface as the group project. It has yet to be determined if it will be a scratch build or a kit project.

[Return to Table of Contents](#)

FEBRUARY 7

K5XY

February 7 will be an unusually busy day for MVRC. First, breakfast at 8AM. The menu is

- Biscuits (not homemade, but OH WELL...)
- White pepper gravy with sausage and bacon crumbles
- Fruit salad with a yougurt/creme'fraiche dressing
- And, of course, pancakes.
- Price = \$4 as usual.

Next the business meeting at 9 AM. See the article above on the talk by KI5FJ.

This will be followed by participation in the NM QSO party starting at 11 AM. See the article on the NM QSO Party below. Then at noon to 2PM there will be a demonstration on how to hook-up a digital to analog set top converted box for the change from analog to digital TV. At 6 PM there will be food for the contesters. For those who want to participate in the New Mexico QSO Party, K5KMC will be making chicken & andouille gumbo with white rice on the side. Dinner will start about 1800 hours local, but gumbo and rice stay warm well. This is on my nickel. (K5KMC).

[Return to Table of Contents](#)

NM QSO PARTY

K5XY

There will be a NM QSO Party (contest) starting at 1800Z (11AM local) on February 7 and ending at 23:59 Z on February 8. The purpose of this HF and 6-meter event (both of which every ham has privileges to operate on) is to get on the airwaves and have a great time with hams from across New Mexico and the nation. NM hams contact as many hams (inside and outside NM) as possible. Non-NM hams contact as many NM hams (only) as possible. Essentially, New Mexico hams will find themselves on the "other" side of the pileup, with stations across the country and perhaps world wanting to make contact with the Land of Enchantment for the duration of the event. All modes will be used. Suggested frequencies are

- i. CW: 1850, 3550, 7045, 14050, 21050, 28050 kHz and 50.095 MHz.
- ii. Phone: 1850, 3925, 7260, 14280, 21380, 28380 kHz and 50.130 MHz.

Our club station will be active as long as operators are available. For complete details visit URL <http://www.swcp.com/~n5zgt/nmqso-party>.

[Return to Table of Contents](#)

DUES

KI5FJ

The 2009 dues are due before 1 May, the earlier the better.

As a reminder, please include the following info with your dues check:

Call Sign(s) if FAMILY, Class, Name, Address, email address

ARRL Member Y/N and optional PHONE Number.

The reason I would appreciate your phone number is to clarify your email if it bounces.

If you desire to pay CASH at the next meeting, please write down the above info it will speed up the process...

Please address your info to ki5fj@arrl.net

[Return to Table of Contents](#)

BEAN FEED

AD5LJ

Our annual bean feed and swap meet is rapidly approaching. It will be on Sunday 26 April 2009. The club depends on bean feed equipment sales to provide funds for operating expenses. Currently we have very little to sell!

If you have excess equipment that you want to get rid of, Please donate it to the club. We will take just about anything you would like to donate. However, based on previous bean feeds, the following items sell very well.

- Amateur transceivers (handheld, mobile and base)
- Antenna tuners
- Antennas and antenna parts
- Towers and tower parts
- 13.8 VDC power supplies rated at 20 or more amps
- Late model test equipment
- Vintage receivers (tube type HF receivers)
- General shack accessories

The following items historically do not sell and we usually end up giving them away or hauling them to the recycling center.

- CB radios
- Components (resistors, capacitors, etc)

- Vintage transmitters
- Most homemade gear
- All computers and accessories
- Vintage test equipment
- Commercial transceivers
- Military radios
- Home entertainment items (TV, Stereos, tape recorders, etc)

If you have items you wish to donate, bring them to the club house at our monthly meetings. If you need items picked up, please contact me.

[Return to Table of Contents](#)

UNCLASSIFIED

FOR SALE Cushcraft 2 meter Yagi Antenna in excellent condition. Comes w/ channel master antenna rotor, control box w/ infrared remote, and about 40 feet of rotor wire. Also includes antenna assembly and installation manual.

I am asking \$60 for everything. Anyone interested call me at (575)541-4346.

Howard Brewington, KJ5NJ

FOR SALE I have for sale my Drake R8A communications receiver 100-30,000 kHz. All mode (USB, LSB, CW, AM, FM, RTTY) microprocessor- controlled, synthesized, highly sensitive. One owner (me), works fine, very good condition with Owner's manual. \$745. Marty N9OG Las Cruces

CLUB INFORMATION

The MVRC Clubhouse is located at the intersection of Wilt and Jefferson in Hacienda Heights. To find the clubhouse, set your destination on your GPS receiver as 32 degrees 22.961 minutes and -106 degrees 41.44 minutes. If you don't own a gps, take the Porter exit on US 70. It is about 5 miles from the I 25 interchange, near the firehouse. Almost immediately south of the south frontage road on the south side of US 70, turn left toward the mountains until you come to Wilt. Turn right. There is a jog in the road, but at 0.35 miles you should come to Jefferson. If you can't see the tower and beam, you shouldn't be driving. The treasurer would be delighted to receive your contribution for landscaping and furnishing.



Officers

Office	Name	Call	Phone	e-mail
President	Perry Welch	KC5HFJ	373-9171	perrywelch@hotmail.com
Vice-President	Cash Olsen	KD5SSJ	382-1917	kd5ssj@arrl.net
Secretary	Jack Lemons	N5PK	644-7207	jack_N5PK@hotmail.com
Treasurer	Joe Ostrowski	KI5FJ		ki5fj@arrl.net
Board Members	Alex. Burr	K5XY	522-2528	k5xy@arrl.net
	Bob Bennett	AD5LJ	382-0148	rbennett1@comcast.net
	Henry Schotzko	AD5FE	AD5FE	schotzko@comcast.net
	Kevin McNelis	K5KMC	571-7326	kmcnelis@nmau.edu
	Robert Truitt	KE5OFK	649-4173	robhtruitt@zianet.com

The newsletter is always looking for articles and notes of interest to the members of the Mesilla Valley Radio Club. Please send them to Alex. F. Burr, K5XY, Editor, MVRC Local Oscillator, 695 Stone Canyon Drive, Las Cruces, NM 88011. Small personal ads from members will also be published. It would be helpful if submissions would be made in a machine readable form. Windows readable disks are welcome. Files can also be sent to the Internet address k5xy@arrl.net. The club maintains a web site at <http://www.zianet.com/mvrc>.

JOIN THE CLUB

To join the Mesilla Valley Radio Club, renew your membership, or to support the repeaters, please print, cut out, and complete the form below. Send it with dues (\$35 single, \$45 family per year, add \$10 to receive the newsletter by US mail instead of e-mail) to: Treasurer, MVRC, Box 1443, Las Cruces, NM 88004.

Name	
Box or street address	

City	
State	
Zip	
Call	
Class of license	
Phone	
e-mail	
ARRL Member?	

[Return to home page](#)

[Return to Local Oscillator first page](#)