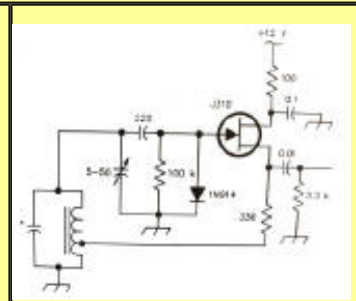


2009

Local Oscillator



January

Mesilla Valley Radio Club

A [pdf file](#) of this issue is available. It should print fairly easily. If you do not have the free pdf file reader, go to <http://www.adobe.com>

Coming Events

Table of Contents

Date	Event	Time
Sun	CW Net 7.142	4:00PM
M - F	6 m FM net 52.540	6:00AM
M - F	round-table 52.525	8:00PM
T, T	Informal Wal-Mart (E)	10:00AM
M, W, F	Informal Wal-Mart (W)	10:00AM
Mon	WTRA Swap net 146.88	8 PM
Wed	Net 146.64	6:45PM
Jan 3	Breakfast - Club House	8 AM
Jan 3	Business - Club House	9 AM
Jan 7	Board Meeting - Club House	7 PM
Feb 7-8	NM QSO Party see www.swcp.com/~n5zgt/nmqsoparty	

[COMING EVENTS](#)
[TABLE OF CONTENTS](#)
[PRESIDENT'S CORNER](#)
[VP PLANS](#)
[VE TESTING SESSION](#)
[MVRC CHRISTMAS SOCIAL](#)
[STOLEN ITEMS](#)
[TV TRANSITION HELP NEEDED](#)
[BACK PAGE](#)



Christmas Social

More information at <http://swantenna.com>

Southwest Antennas & Accessories

<http://swantenna.com>

The space below is used for acknowledgements and maintaining the site.
Send comments, suggestions, and requests to [Alex. F. Burr](mailto:aburr@qzxservices.com) or send e-mail to aburr@qzxservices.com.
Technical assistance, net access, design, and maintenance provided by qzxservices.com

THE ARTICLES FOR THIS MONTH

PRESIDENT'S CORNER

KC5HFJ

The club will start the new year with a breakfast and business meeting January 3 at the club house.

[Return to Table of Contents](#)

VP PLANS

KD5SSJ

As the Vice President I have two primary functions: 1) maintain an accurate inventory of the club's assets, and 2) to procure a speaker for the monthly meeting. Occasionally I may be called upon to assume the role of President for a meeting should Perry not be available, which will be the case for the January meeting.

A meeting is scheduled with Tres and Dennis (outgoing VP) to transfer the inventory log. And I will have something interesting as a presentation. I look forward to pitching in every other month , or so, and helping a member who has said he wants to re-establish the hot breakfast before the meeting each month. I think the club enjoys that and it encourages participation.

I'm looking forward to a very good year with my friends in the MVRC, I might even get on the air once in awhile.

[Return to Table of Contents](#)

VE TESTING SESSION

N5WQ

A VE testing session was held on Sunday, November 23 at the club house. Here are the results:

New Technician license to:

Rene Guerrero, Mesilla Park --- now KE5YHT

New General license to:

Rodolfo Gutierrez, El Paso --- KD5ZVU

New Extra licenses to:

David Anderson, Radium Springs --- KE5YAG

Dale Bragdon, Las Cruces --- K4BHL
John Powell, Las Cruces --- N5TPT
William Skinner, Las Cruces --- K5ILF
Vern Vonheeder, Las Cruces --- KE5VGH

[Return to Table of Contents](#)

MVRC CHRISTMAS SOCIAL

A successful club Christmas social was held at Furr's on December 11 at 6:30 PM. Some where around 40 people gathered and did a lot of rag chewing as well as filling up with the wide variety and quantity of food offered by the buffett. The cover picture shows some of the people present.

[Return to Table of Contents](#)

STOLEN ITEMS

KJ5Q

Stolen from a residence at 112 Hideaway Lane, Ruidoso, New Mexico.

Yaesu 2 meter radio/transciever Model FT-1500M This little radio is very small and compact and is in a metal casting making it heavy.

Kenwood HF transciever Model TS-850AT This radio has the 100 watt auto tuner, hand mike, PS 31 power supply, SP 52 speaker. I bought it new at HamComm 15 years ago and will sure miss it as it has been very reliable throughout the years and has never been in a shop for any repairs.

Also stolen a Polaroid 37" LCD television, a Bissell carpet cleaner, and an IBM computer, This computer is quite unique in that the motherboard, operating system, and the 15 inch monitor are all in the same unit together, It has an external power supply that hooks up to the monitor. IBM made but a few of these units about 10 years ago. It has had a hard drive replacement .

If you should run into any of the above for sale let the police know. The officer handling the case is Chris Case #S08001176. His phone number is 258-7365.

[Return to Table of Contents](#)

TV TRANSITION HELP NEEDED

ARRL

The following is a summary of a request for help which seems like a good club project. It would be useful to discuss it at the next business meeting.

We have received a request by the FCC for members of the ARRL to provide technical educational assistance to their communities during January and February in accomplishing the digital TV conversion. Clubs are being asked to develop and implement plans to provide information about the DTV conversion in their areas in ways they think best fits their community. Each community is a little different, so your plans may vary. Let your Section Manager know your group is willing to help out.

Hams should **not** make "house calls", sell any equipment or do actual installations -- the request is only to distribute technical information and their materials. As we all know, some folks just never get the message until too late. Materials for presentations, education and many other activities are available at <http://www.dtv.gov/outreach.html>. Beginning early January, FCC staff will contact Section Managers and leaders of interested clubs and, where possible, arrange to meet for sharing even more information, A/V and printed materials and training aids with the clubs in this effort.

We know the time is short and problematic, (not our choice) but your aid in this now will be appreciated.

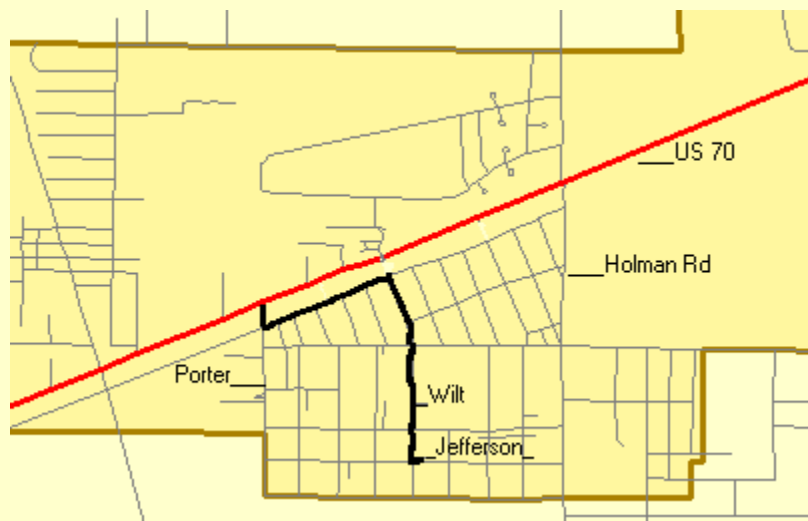
In early January, Section Managers will be asked for the names and contact information of the volunteering groups. FCC staff will then make contact with them, learn their plans, and provide them with the media, brochures or other materials your group may need in this effort. Materials also can be downloaded from the web at <http://www.dtv.gov/outreach.html>. FCC regional staff may even come and visit with larger groups to aid in implementation of the group's plans.

The FCC said, "I really appreciate the willingness of the ARRL to actively participate in helping Americans with the transition to DTV and your helpful suggestions. The DTV transition will be an historic moment in the evolution of TV. Broadcast television stations can offer viewers improved picture and sound quality and new programming choices. All-digital broadcasting also will allow us to significantly improve public safety communications and will usher in a new era of advanced wireless services such as the widespread deployment of wireless broadband."

[Return to Table of Contents](#)

CLUB INFORMATION

The MVRC Clubhouse is located at the intersection of Wilt and Jefferson in Hacienda Heights. To find the clubhouse, set your destination on your GPS receiver as 32 degrees 22.961 minutes and -106 degrees 41.44 minutes. If you don't own a gps, take the Porter exit on US 70. It is about 5 miles from the I 25 interchange, near the firehouse. Almost immediately south of the south frontage road on the south side of US 70, turn left toward the mountains until you come to Wilt. Turn right. There is a jog in the road, but at 0.35 miles you should come to Jefferson. If you can't see the tower and beam, you shouldn't be driving. The treasurer would be delighted to receive your contribution for landscaping and furnishing.



Officers

Office	Name	Call	Phone	e-mail
President	Perry Welch	KC5HFJ		
Vice-President	Cash Olsen	KD5SSJ		
Secretary	Jack Lemons	N5PK	526-9428	jack_N5PK@hotmail.com
Treasurer	Kevin McNelis	K5KMC	571-7326	kmcnelis@nmau.edu
Board Members	Alex. Burr	K5XY	522-2528	k5xy@arrl.net
	Bob Bennett	AD5LJ	382-0148	rbennett1@comcast.net
	Henry Schotzko	AD5FE	AD5FE	schotzko@comcast.net
	Robert Truitt	KE5OFK	649-4173	robhtruitt@zianet.com

The newsletter is always looking for articles and notes of interest to the members of the Mesilla Valley Radio Club. Please send them to Alex. F. Burr, K5XY, Editor, MVRC Local Oscillator, 695 Stone Canyon Drive, Las Cruces, NM 88011. Small personal ads from members will also be published. It would be helpful if submissions would be made in a machine readable form. Windows readable disks are welcome. Files can also be sent to the Internet address k5xy@arrl.net. The club maintains a web site at <http://www.zianet.com/mvrc>.

JOIN THE CLUB

To join the Mesilla Valley Radio Club, renew your membership, or to support the repeaters, please print, cut out, and complete the form below. Send it with dues (\$35 single, \$45 family per year, add \$10 to receive the newsletter by US mail instead of e-mail) to: Treasurer, MVRC, Box 1443, Las Cruces, NM 88004.

Name	
------	--

Box or street address	
City	
State	
Zip	
Call	
Class of license	
Phone	
e-mail	
ARRL Member?	

[Return to home page](#)

[Return to Local Oscillator first page](#)