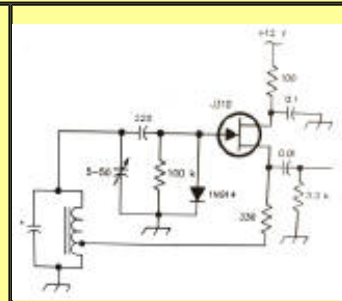


2008

Local Oscillator



December

Mesilla Valley Radio Club

A [pdf file](#) of this issue is available. It should print fairly easily. If you do not have the free pdf file reader, go to <http://www.adobe.com>

Coming Events

Table of Contents

Date	Event	Time
Sun	CW Net 7.142	4:00PM
M - F	6 m FM net 52.540	6:00AM
M - F	round-table 52.525	8:00PM
T, T	Informal Wal-Mart (E)	10:00AM
M, W, F	Informal Wal-Mart (W)	10:00AM
Mon	WTRA Swap net 146.88	8 PM
Wed	Net 146.64	6:45PM
Dec 6	No Breakfast - Club House	8 AM
Dec 6	No Business - Club House	9 AM
Dec 11	Christmas Social - Furr's	6:30 PM

[COMING EVENTS](#)
[TABLE OF CONTENTS](#)
[PRESIDENT'S CORNER](#)
[MVRC OFFICER RESULTS](#)
[RACES](#)
[MVRC CHRISTMAS SOCIAL](#)
[VE TESTING SESSION](#)
[MVRC NAILING LIST](#)
[INCOME AND EXPENSE](#)
[BACK PAGE](#)



NCS at Turkey Trot

More information at <http://swantenna.com>

Southwest Antennas & Accessories

<http://swantenna.com>

The space below is used for acknowledgements and maintaining the site.
Send comments, suggestions, and requests to [Alex. F. Burr](mailto:aburr@qzxservices.com) or send e-mail to aburr@qzxservices.com.
Technical assistance, net access, design, and maintenance provided by qzxservices.com

THE ARTICLES FOR THIS MONTH

PRESIDENT'S CORNER

KD5ZHI

Hello all, I hope you are finding this holiday season in good health and with family and friends.

We now have a new slate of officers and some new board members. The list will be in this edition of the local oscillator. I know they will do a great job and hope all support and help them with this transition to office.

The Christmas dinner is scheduled for the 11th of December at six thirty Furr's Buffet on Grigs behind the old Wal-Mart, I hope to see you there.

I have very much enjoyed being able to serve the club for the last four years. I have got to know so many people and learned so much. I thank all that have helped out with the club work, be that donations, clean up, radio, the list is just to big. The point is so much work goes in to keeping things moving and so many give there time to do such. THANK YOU ALL.

[Return to Table of Contents](#)

MVRC OFFICER RESULTS

N9OG

MVRC – 2008
Election Results

OFFICERS:

President
Perry Welch KC5HFJ

V-President
Cash Olsen KD5SSJ

Secretary
Jack Lemons N5PK

Treasurer
Kevin McNelis KD5UJF

BOARD OF DIRECTORS:

Communications
Henry Schotzko

Special Events
Vacant

Newsletter
Alex Burr K5XY

Clubhouse
Bob Bennett AD5LJ

Repeaters
Robert Truitt

Education
Tim Linn KD5SSF
[Return to Table of Contents](#)

RACES

The Thanksgiving Turkey Trot race was held November 27, starting at 8AM. There were really three races in one. The first was a 1 mile run twice around the La Buena Vida Park. The next were a 5 K run and a 5 K walk from the park to the NMSU antennas along University Avenue, KD5OHA was net control on 146.55. He also said he was in charge of the weather so arranged for a bit of sunshine even though it rained a little bit on the participants as they gathered and as they left.

[Return to Table of Contents](#)

MVRC CHRISTMAS SOCIAL

The MVRC Christmas Social will be held at Furr's Buffet, 2340 E. Griggs Avenue, on December the eleventh at six thirty PM. The negotiated price for everyone is the senior rate of \$8.19 and includes a drink of your choice. Please make sure you let the cashier know this when you come in.

[Return to Table of Contents](#)

VE TESTING SESSION

N5WQ

A VE testing session was held on Saturday, November 8 at the club house.

Here are the results:

New Technician licenses to:

Burt Frederick, Las Cruces

Erick Munoz, Canutillo

New General licenses to:

Dave Anderson, Las Cruces

Kevin McNelis KE5UJF, Las Cruces

Ricardo Rosario KE5UJG, El Paso

Dave passed both the Technician test and the General test at this session. Congratulations to all!

[Return to Table of Contents](#)

MVRC NAILING LIST

WB4AEJ

The MVRC now has a mailing list. It is a convenient web resource to make communication with club member easy. It will be used to distribute the Local Oscillator and other notices, announcements, and other information of interest to club members.

If you received this message, you are on the MVRC email list. There is no need to ask to stay on it.

If you want to be removed from it, please send email direct to fred@wb4aej.com. Anyone who does not want to be on our mailing list will be removed.

Feel free to post information and questions about club events by sending email to mvrc@n5bl.org .

If anyone is concerned about the harvesting of email addresses and SPAM, you'll find that this list is pretty resistant to it. There is a mechanism in place to prevent non-members from posting and it seems to work very well judging by its use on other mailing lists that I've supported. Additionally, the mail server is on our site and we control it. No one else has access to that information. It is fairly low risk.

After entering all the club members (and other interested people) in the list, there were about one hundred and twenty-eight members subscribed.

This list is for club use, so enjoy.

Detailed instructions are given below.

To post to this list, send your email to:

mvrc@n5bl.org

General information about the mailing list is at:

http://n5bl.org/mailman/listinfo/mvrc_n5bl.org

If you ever want to unsubscribe or change your options (eg, switch to or from digest mode, change your password, etc.), visit your subscription page at:

[http://n5bl.org/mailman/options/mvrc_n5bl.org/\(your e-mail address\)](http://n5bl.org/mailman/options/mvrc_n5bl.org/(your e-mail address))

You can also make such adjustments via email by sending a message to:

MVRC-request@n5bl.org

with the word 'help' in the subject or body (don't include the quotes), and you will get back a message with instructions.

You must know your password to change your options (including changing the password, itself) or to unsubscribe.

Normally, Mailman will remind you of your n5bl.org mailing list passwords once every month, although you can disable this if you prefer. This reminder will also include instructions on how to unsubscribe or change your account options. There is also a button on your options page that will email your current password to you.

[Return to Table of Contents](#)

INCOME AND EXPENSE FOR OCTOBER

INCOME

Breakfast & Drinks	41.25	
Dues	35.00	
Education	45.00	
Total income		121.25

EXPENSES

Education	464.11	
Insurance	950.00	
Utilities	91.32	
Total expenses		1505.43

Cash and Bank Accounts as of 1Oct08

MVRC Checking	3519.72	
MVRC Education Fund	2113.98	
MVRC Savings Account	0.00	
MVRC CD	5130.16	
MVRC Petty Cash	50.00	
TOTAL Cash and Bank Accounts		10813.86

[Return to Table of Contents](#)

CLUB INFORMATION

The MVRC Clubhouse is located at the intersection of Wilt and Jefferson in Hacienda Heights. To find the clubhouse, set your destination on your GPS receiver as 32 degrees 22.961 minutes and -106 degrees 41.44 minutes. If you don't own a gps, take the Porter exit on US 70. It is about 5 miles from the I 25 interchange, near the firehouse. Almost immediately south of the south frontage road on the south side of US 70, turn left toward the mountains until you come to Wilt. Turn right. There is a jog in the road, but at 0.35 miles you should come to Jefferson. If you can't see the tower and beam, you shouldn't be driving. The treasurer would be delighted to receive your contribution for landscaping and furnishing.



Officers

Office	Name	Call	Phone	e-mail
President	Perry Welch	KC5HFJ		
Vice-President	Cash Olsen	KD5SSJ		
Secretary	Jack Lemons	N5PK	526-9428	jack_N5PK@hotmail.com
Treasurer	Kevin McNelis	KD5ULF		
Board Members	Alex. Burr	K5XY	522-2528	k5xy@arrl.net
	Bob Bennett	AD5LJ	382-0148	rbennett1@comcast.net
	Henry Schotzko	AD5FE	AD5FE	schotzko@comcast.net
	Tim Linn	KD5SSF	521-0486	KD5SSF@arrl.net
	Robert Truitt			

The newsletter is always looking for articles and notes of interest to the members of the Mesilla Valley Radio Club. Please send them to Alex. F. Burr, K5XY, Editor, MVRC Local Oscillator, 695 Stone Canyon Drive, Las Cruces, NM 88011. Small personal ads from members will also be published. It would be helpful if submissions would be made in a machine readable form. Windows readable disks are welcome. Files can also be sent to the Internet address k5xy@arrl.net. The club maintains a web site at <http://www.zianet.com/mvrc>.

JOIN THE CLUB

To join the Mesilla Valley Radio Club, renew your membership, or to support the repeaters, please print, cut out, and complete the form below. Send it with dues (\$35 single, \$45 family per year, add \$10 to receive the newsletter by US mail instead of e-mail) to: Treasurer, MVRC, Box 1443, Las Cruces, NM 88004.

Name	
------	--

Club Information

Box or street address	
City	
State	
Zip	
Call	
Class of license	
Phone	
e-mail	
ARRL Member?	

[Return to home page](#)

[Return to Local Oscillator first page](#)