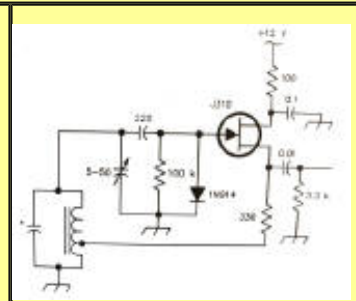


2008

Local Oscillator



November

Mesilla Valley Radio Club

A [pdf file](#) of this issue is available. It should print fairly easily. If you do not have the free pdf file reader, go to <http://www.adobe.com>

Coming Events

Date	Event	Time
Sun	CW Net 7.142	4:00PM
M - F	6 m FM net 52.540	6:00AM
M - F	round-table 52.525	8:00PM
T, T	Informal Wal-Mart (E)	10:00AM
M, W, F	Informal Wal-Mart (W)	10:00AM
Mon	WTRA Swap net 146.88	8 PM
Wed	Net 146.64	6:45PM
Nov 1	Breakfast - Club House	8 AM
Nov 1	Business meet - Club House	9 AM
Nov 14-16	Extra Class - Club House	
Nov 15	Baylor Pass Run	
Nov 21-23	Extra Class - Club House	
Nov 27	turkey Trot 5K	

Table of Contents

[COMING EVENTS](#)
[TABLE OF CONTENTS](#)
[PRESIDENT'S CORNER](#)
[MVRC OFFICER ROLES](#)
[RACES](#)
[EXTRA CLASS](#)
[TWO METER DIGITAL COMMUNICATIONS](#)
[QST ON LINE](#)
[500 KHZ SIGS](#)
[INCOME AND EXPENSE](#)
[BUDGET](#)
[BACK PAGE](#)



NCS at Rio Grande Marathon

More information at <http://swantenna.com>

Southwest Antennas & Accessories

<http://swantenna.com>

The space below is used for acknowledgements and maintaining the site.
Send comments, suggestions, and requests to [Alex. F. Burr](mailto:aburr@qzxservices.com) or send e-mail to aburr@qzxservices.com.
Technical assistance, net access, design, and maintenance provided by qzxservices.com

THE ARTICLES FOR THIS MONTH

PRESIDENT'S CORNER

KD5ZHI

Hello All, I would like for everyone to do their best to attend the next regular business meeting for the annual elections. We still need several positions to be filled. A short synopsis of the positions are as follows.

The duties of the officers and directors are in the by laws posted on the club web page. President- Conducts the meetings, answers various email from other clubs, organizations, reads and answers various mail, ensures the by laws and constitution are followed, appoints committees, ensures committees are working to ward there goals (bean feed, field day, ect.) Vice president, fills in for the president when needed, in charge of the club property, and very importantly responsible for getting a program for each meeting. Secretary- records all club meetings minutes, keeps track of important club documentation, make and keep track of changes to the constitution and by laws. Treasure- is responsible for our money, keeps a spread sheet of our accounts, pays bills timely, checks the club mail box, responsible to make the club aware of the budget at all times. I hope this helps if you are interested in an position.

We still need people to serve. Please consider and, if you like, call me or any other board member. ARRL has so much to offer on their web site at well for guidance and help with these positions as well. Cash is into another month with the builders group. Another project will be coming soon. George is organizing all of the races and there are lots this time of year. Hope to see you next meeting in November.

[Return to Table of Contents](#)

MVRC OFFICER ROLES

N9OG

The Election Ballot committee is seeking nominations for officers for 2009. So here is a brief summary of the duties and roles of the main officers of the club.

The four main officers of the MVRC are the President, Vice-President, Treasurer, and Secretary. These officers are necessary to maintain the MVRC in the ARRL and to keep its status as a non-profit organization.

The President is the leader of the club and coordinates, directs, and monitors the activities of all other officers and committee chairs. He/she is the “face” of the club and presides over regular club meetings, board meetings and functions of the club. The President represents the club to the public, the ARRL, and government and civic organizations.

The Vice President serves in place of the President if he/she is not available for these duties and also arranges regular speakers for the club meetings.

The Treasurer handles the clubs finances, taking in dues and other income and paying the bills for the club. He or she keeps the financial books of the club, regularly presenting income/expense reports and budgets to the other officers and club members. The Treasurer also keeps and distributes the club roster.

The Secretary records and maintains the minutes of club meetings and board meetings, presenting them to the club and the officers at their respective meetings.

There are in addition to these officers, heads of the various committees such as Communications, Club-house, Repeaters, Education, Special Events, and Newsletter, whose duties are not covered here.

[Return to Table of Contents](#)

RACES

KD5OHA

Up coming communication events for The Mesilla Valley Track Club include the Baylor Pass Mountain Run at 5.9-Miles on Novvember 15 on Saturady. Also the Thanksgiving Day Turkey Trot 5K Run and Fitness Walk with a 1-Mile Kids Run For more informationa nd to hel-p provide communications contact KD5OHA.

[Return to Table of Contents](#)

EXTRA CLASS

KD5SSF

There will be an extra class in November on the two weekends of 14 - 16 and 21 - 23. Please contact Tim Linn at 521-0486 or KD5SSF@ARRL.NET if you are interested

[Return to Table of Contents](#)

TWO METER DIGITAL COMMUNICATIONS KI5FJ

I propose the creation of a new weekly simplex net. This net would use the MT-63 digital mode and prepare our local radio operators for accurately handling sensitive emergency information. A simple interface between your PC and your 2 meter radio is convenient but unnecessary. This mode will interface with local Army MARS operators. The MARS network can take the traffic out of the area.

The MT-63 digital mode is simpler to transmit than other modes. Although inconvenient, to transmit you can hold your radio microphone near your PC speaker. The receiving (decoding) path (radio to sound card) can be via a simple audio transformer or into the sound card via a PC microphone. The data consists of data, 1s and 0s, in the audio range from 500 to 1500 Hz. There are several free software programs, MT-63 terminal, Multi-PSK. My favorite, although costing about \$60, is MixW.

If you are interested contact me via email : ki5fj at arrl.net

QST ON LINE

ARRL members can now access the online QST magazine archive <<http://www.arrl.org/members-only/qqnsearch.html>>. This new benefit -- a service of the ARRL Technical Information Service (TIS) <<http://www.arrl.org/tis/>> -- provides PDF copies of all QST articles from December 1915 through December 2004, enabling members to view and print their favorite article, project and more. Access to the new online digital QST archive is free for ARRL members, and is for their personal use only -- material in the archive may not be freely distributed or copied.

[Return to Table of Contents](#)

500 KHZ SIGS

ARRL's 500 kHz Station, WD2XSH, wants to hear from you: Fritz Raab, W1FR, coordinator for ARRL's 500 kHz Experimental Station, WD2XSH <<http://www.500kc.com/>>, reports that fall has brought lower static and good propagation, making excellent conditions for the 500 kHz experimenters. The experimental license, issued in September 2006 <<http://www.arrl.org/news/stories/2006/09/15/104/>>, has more than 20 active stations. Raab said that last year, a second US experimental license -- WE2XGR, with five participants -- joined the project, as well as experimenters in the UK, Germany, Sweden and the Czech Republic. These stations' operating modes include CW, QRSS, PSK-31 and others. Contacts have been achieved at distances up to 1234 miles, with signals

received from all over North America, Alaska and Hawaii; trans-Atlantic reports are not uncommon. "The 500 kHz experimenters are experiencing excellent propagation conditions," Raab said. "The best time to listen is between sunset and sunrise." The operating frequencies are: WD2XSH -- 505.2-510 kHz; WE2XGR -- 505-515 kHz; UK -- 501-504 kHz, and SM, DL, OK -- 505.0-505.2 kHz. Raab requests that listeners file reception reports at the experiment's Web site so that they become part of the station's data base <<http://www.500kc.com/>>. Additional information can be found at the experiment's Web site and also in the July/August 2007 issue of QEX <<http://www.arrl.org/qex/2007/07/raab.pdf>>.

[Return to Table of Contents](#)

INCOME AND EXPENSE FOR SEPTEMBER

INCOME

Breakfast & Drinks	40.00	
Contributions	150.00	
Dues	35.00	
Total income		225.00

EXPENSES

Clubhouse	44.96	
Repeater	121.42	
Utilities	59.91	
Total expenses		226.29

Cash and Bank Accounts as of 1Oct08

MVRC Checking	4903.90	
MVRC Education Fund	2113.98	
MVRC Savings Account	0.00	
MVRC CD	5130.16	
MVRC Petty Cash	50.00	
TOTAL Cash and Bank Accounts		12198.04

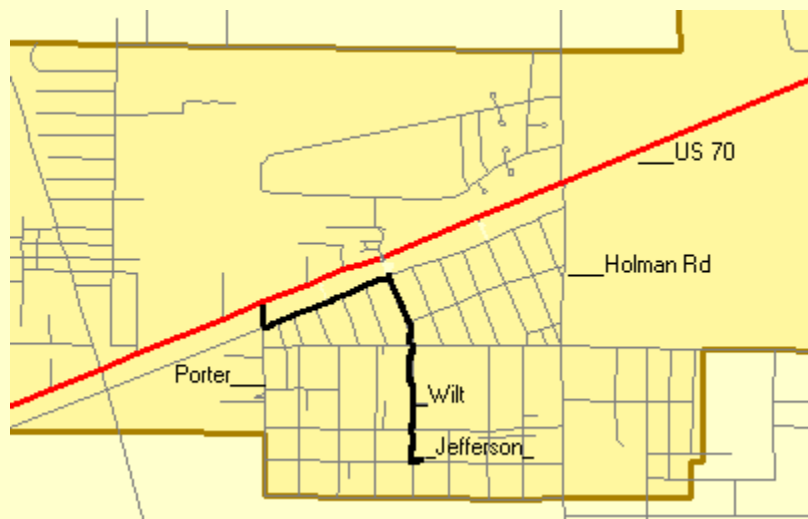
[Return to Table of Contents](#)

BUDGET

MVRC Proposed Budget 2009		
INCOME	2008 Budget	2009 Proposed
Bean Feed	400.00	400.00
Breakfast & drinks	600.00	600.00
Contributions	250.00	250.00
Dues	2,000.00	2,000.00
Education	850.00	850.00
Equipment Sales	1,420.00	1,845.00
Interest Income	30.00	30.00
Other Income	0.00	0.00
Tshirt sales	0.00	0.00
	-----	-----
Total Income	5,550.00	5,975.00
Expenses		
Bank Charge	0.00	0.00
Bean Feed	300.00	300.00
Breakfast	400.00	400.00
Club House	400.00	400.00
Education Classes	850.00	850.00
Field Day	150.00	150.00
Insurance	1,000.00	1,000.00
Misc.	75.00	100.00
NM Emergency Fee	30.00	30.00
PO Box	60.00	60.00
Postage	100.00	100.00
President's Fund	75.00	75.00
Property Tax	700.00	800.00
Repeater	300.00	600.00
Tax Exempt Fee	10.00	10.00
Utilities		
Electric	450.00	450.00
Propane	500.00	500.00
Telephone	0.00	0.00
Water	150.00	150.00
	-----	-----
Total Expenses	5,550.00	5,975.00

CLUB INFORMATION

The MVRC Clubhouse is located at the intersection of Wilt and Jefferson in Hacienda Heights. To find the clubhouse, set your destination on your GPS receiver as 32 degrees 22.961 minutes and -106 degrees 41.44 minutes. If you don't own a gps, take the Porter exit on US 70. It is about 5 miles from the I 25 interchange, near the firehouse. Almost immediately south of the south frontage road on the south side of US 70, turn left toward the mountains until you come to Wilt. Turn right. There is a jog in the road, but at 0.35 miles you should come to Jefferson. If you can't see the tower and beam, you shouldn't be driving. The treasurer would be delighted to receive your contribution for landscaping and furnishing.



Officers

Office	Name	Call	Phone	e-mail
President	Tres Campbell	KD5HZI	373-2008	trscam@netscape.net
Vice-President	Dennis Shepan	KB5TPV	522-7466	KB5TPV@zianet.com
Secretary	Jack Lemons	N5PK	526-9428	jack_N5PK@hotmail.com
Treasurer	Charlie Welch	N5CWW	496-3901	cwwelch@usa.net
Board Members	Alex. Burr	K5XY	522-2528	k5xy@arrl.net
	Bob Bennett	AD5LJ	382-0148	rbennett1@comcast.net
	Henry Schotzko	AD5FE	AD5FE	schotzko@comcast.net
	Tim Linn	KD5SSF	521-0486	KD5SSF@arrl.net
	Brad Sacca	KC5SKE	382-4380	shiekyerbouty@msn.com

The newsletter is always looking for articles and notes of interest to the members of the Mesilla Valley Radio Club. Please send them to Alex. F. Burr, K5XY, Editor, MVRC Local Oscillator, 695 Stone Canyon Drive, Las Cruces, NM 88011. Small personal ads from members will also be published. It would be helpful if submissions would be made in a machine readable form. Windows readable disks are welcome. Files can also be sent to the Internet address k5xy@arrl.net. The club maintains a web site at <http://www.zianet.com/mvrc>.

JOIN THE CLUB

To join the Mesilla Valley Radio Club, renew your membership, or to support the repeaters, please print, cut out, and complete the form below. Send it with dues (\$35 single, \$45 family per year, add \$10 to receive the newsletter by US mail instead of e-mail) to: Treasurer, MVRC, Box 1443, Las Cruces, NM 88004.

Name	
------	--

Box or street address	
City	
State	
Zip	
Call	
Class of license	
Phone	
e-mail	
ARRL Member?	

[Return to home page](#)

[Return to Local Oscillator first page](#)