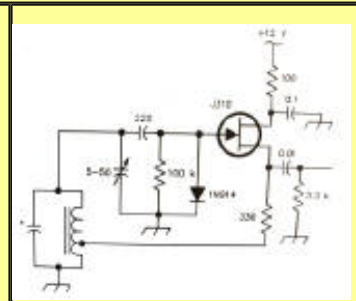


2008

Local Oscillator



October

Mesilla Valley Radio Club

A [pdf file](#) of this issue is available. It should print fairly easily. If you do not have the free pdf file reader, go to <http://www.adobe.com>

Coming Events

Table of Contents

Date	Event	Time
Sun	CW Net 7.142	4:00PM
M - F	6 m FM net 52.540	6:00AM
M - F	round-table 52.525	8:00PM
T, T	Informal Wal-Mart (E)	10:00AM
M, W, F	Informal Wal-Mart (W)	10:00AM
Mon	WTRA Swap net 146.88	8 PM
Wed	Net 146.64	6:45PM
Oct 4	Breakfast - Club House	8 AM
Oct 4	Business meet - Club House	9 AM
Oct 8-20	General Class - Club House	
Nov 8	VE Test	

[COMING EVENTS](#)
[TABLE OF CONTENTS](#)
[PRESIDENT'S CORNER](#)
[HORSE RACE](#)
[SPEAKER](#)
[GENERAL CLASS](#)
[BUILDERS GROUP](#)
[CLUB HOUSE CLEANING](#)
[INCOME AND EXPENSE](#)
[BACK PAGE](#)



What is it?

see [building article](#)

More information at <http://swantenna.com>



Southwest Antennas & Accessories

<http://swantenna.com>

The space below is used for acknowledgements and maintaining the site.
Send comments, suggestions, and requests to [Alex. F. Burr](mailto:Alex.F.Burr) or send e-mail to [aburr @ qzxservices.com](mailto:aburr@qzxservices.com).
Technical assistance, net access, design, and maintenance provided by qzxservices.com

THE ARTICLES FOR THIS MONTH

PRESIDENT'S CORNER

KD5ZHI

Hello all, Autumn is upon us and the cooler weather to follow. This has been an extraordinary year with all of the rain and not so hot temperatures. Bob Bennet organized a club house clean up this last month, it looks great. We had four of us for about two and a half hours cleaning up. Cash Olsen has restarted the builders group once again. This month is a solar panel project. Very good for keeping your emergency batteries up and charged. My son (Marty 15) is doing this project as well. His application is to keep his dune buggy batteries up and going. Henry and George are very busy with races and Ares and Races. They will need help in the coming months for the foot races.

Elections are due in November. The election chairman is Marty Campbell, if you would like to volunteer for a position in the club please call him at 373-2466 and talk about it. I would like to say a few things about the membership of the club. We have a fantastic club, members, club house, radios and antennas and ongoing projects from races to ARES to the builders group. What we have not have the the four years I have been Vice President or President is people willing to fill these positions. It is a VERY difficult task filling the positions and it should not be. We never even filled the special events position last year. I greatly appreciate the club members and officers and board's support. It is what makes things happen. Does any of the positions require work you might ask? Why yes it does along with a commitment to the club to do a good job. I know many have served in the past, I can now appreciate that, some have never served. Step up and try. You will find it is not that much work and your will learn more about the club and certainly meet more people. Thanks and see you on Saturday at the regular business meeting.

[Return to Table of Contents](#)

HORSE RACE

KD5OHA

On Saturday, September 6, members of the Mesilla Valley Radio Club and other Amateur Radio operators from Donna Ana county, converged on the Southern New Mexico State Fair grounds to provide radio communications for the Desert Classic Endurance Horse Race. Sponsored by the American Endurance Ride Conference and the

Federation International Equestrian, the Saturday event consisted of a 100 mile, 75 mile, 50 mile, and 25 mile ride. The Sunday event consisted of a 50 mile and 35 mile ride. The rides consist of different combinations of three loops. A 25 mile loop, a 15 mile loop, and a 10 mile loop. For example, the 100 mile ride is 15 miles, 25 miles, and 10 miles. This equals 50 miles. To get the second 50 miles, repeat. After each loop there is a mandatory hold to rest the horses and do a vet check. On Sat. the 100 mile and 75 mile rides started at 06:15 A.M. The 50 and 25 mile rides started at 07:15 A.M. The allotted time to complete the ride started at 24 hours for the 100 mile riders and decreased by 6 hours for each of the other rides. There were 5 riders in the 100 mile ride, ten riders in the 75 mile ride, 15 in the 50 mile, and 11 in the 25 mile ride. The last horse came in at 02:45 Sunday morning in the 100 mile event.

Thank you very much to John Beakley, WK5C, Perry Steinman, KC7VHS, Brad Sacca, KC5SKE, Kevin McNeil, KE5UJF, Charley Welch, N5CWW, Cash Olsen, KD5SSJ, Rob Truitt, KE5OFK, and David Barons, KE5IAH. Net control was George Kopp KD5OHA. The radio positions were coordinated by Roger Taylor, KD5DLI, a vet from Albuquerque. On Sunday the 50 and 35 mile rides both started at 07:15 A.M. On Sunday the last rider came in at 18:10, just before the big rain storm hit. I would like to thank Jack Lemons, N5PK, Kevin McNeil, KE5UJF, Charley Welch, N5CWW, Tim Linn, KD5SSF, and Dennis Shepan, KB5TPV, for helping with the Sunday events. At the end of Sunday's event, the ride manager Mark Dial gave everyone a big thank you for a job well done and a \$150.00 donation to The Mesilla Valley Radio club. Thanks again everyone.

[Return to Table of Contents](#)

SPEAKER
KB5TPV

Bob Bennett (AD5LJ) will be the speaker at the October business meeting. Bob will be talking about ground antennas. It sounds like it will be an interesting talk for any of us trying to set up our HF stations.

[Return to Table of Contents](#)

GENERAL CLASS
KD5SSF

There will be a General licensing class on October 18-20. There will be an extra class in November if enough people express interest. Please contact Tim Linn at 521-0486 or KD5SSF@ARRL.NET if you are interested.

[Return to Table of Contents](#)

BUILDERS GROUP KD5SSJ

The MVRC Builders Group will meet at 7pm on the first Tuesday (7 October) and the third Tuesday (21 October) at the MVRC club house. Mark your calendars now.

The fall project is a Solar Powered Battery Charger that can be left unattended and is portable grab and go. In the first meeting we outlined the requirements for the project and discussed the application. At the next meeting you should have purchased your solar panel(s) and I will have a prototype housing for the project. I will provide plans and a bill of materials to build a cabinet like my prototype.

Tres has many batteries available that are taken from used alarm panels, they still are usable and functional but were not able to pass the 70% capacity test. I have just purchased a battery charger which has a reconditioning function that may put some new life into these batteries and I will try it before that meeting.

If you were not at the first meeting it's not too late to get into this project, just come to the next meeting. If you want to get caught up call me 382-1917 or email kd5ssj@zianet.com

(cover picture is that of a bread board for prototyping circuits)

[Return to Table of Contents](#)

CLUB HOUSE CLEANING AD5LJ

On Saturday 13 Sept, a crew spent most of the morning doing a thorough cleaning of the clubhouse. Thanks to Fred WB4AEJ, Perry KC5HFJ, Cash KD5SSJ, Dennis KB5TPV, and Tres KD5ZHI for all the hard work.

The next clubhouse maintenance event will be outside clean up sometime in late October or early November. Please contact me if you would like to help.

[Return to Table of Contents](#)

INCOME AND EXPENSE FOR AUGUST

INCOME

Breakfast & Drinks	0.00	
Education	0.00	
Equipment Sales	20.00	
Total income		20.00

EXPENSES

Field Day	0.00	
PO Box rental	0.00	
Utilities	80.53	
Total expenses		80.53

Cash and Bank Accounts as of 1Sep08

MVRC Checking	4905.19	
MVRC Education Fund	2113.98	
MVRC Savings Account	0.00	
MVRC CD	5130.16	
MVRC Petty Cash	50.00	
TOTAL Cash and Bank Accounts		12199.33

[Return to Table of Contents](#)

CLUB INFORMATION

The MVRC Clubhouse is located at the intersection of Wilt and Jefferson in Hacienda Heights. To find the clubhouse, set your destination on your GPS receiver as 32 degrees 22.961 minutes and -106 degrees 41.44 minutes. If you don't own a gps, take the Porter exit on US 70. It is about 5 miles from the I 25 interchange, near the firehouse. Almost immediately south of the south frontage road on the south side of US 70, turn left toward the mountains until you come to Wilt. Turn right. There is a jog in the road, but at 0.35 miles you should come to Jefferson. If you can't see the tower and beam, you shouldn't be driving. The treasurer would be delighted to receive your contribution for landscaping and furnishing.



Officers

Office	Name	Call	Phone	e-mail
President	Tres Campbell	KD5HZI	373-2008	trscam@netscape.net
Vice-President	Dennis Shepan	KB5TPV	522-7466	KB5TPV@zianet.com
Secretary	Jack Lemons	N5PK	526-9428	jack_N5PK@hotmail.com
Treasurer	Charlie Welch	N5CWW	496-3901	cwwelch@usa.net
Board Members	Alex. Burr	K5XY	522-2528	k5xy@arrl.net
	Bob Bennett	AD5LJ	382-0148	rbennett1@comcast.net
	Henry Schotzko	AD5FE	AD5FE	schotzko@comcast.net
	Tim Linn	KD5SSF	521-0486	KD5SSF@arrl.net
	Brad Sacca	KC5SKE	382-4380	shiekyerbouty@msn.com

The newsletter is always looking for articles and notes of interest to the members of the Mesilla Valley Radio Club. Please send them to Alex. F. Burr, K5XY, Editor, MVRC Local Oscillator, 695 Stone Canyon Drive, Las Cruces, NM 88011. Small personal ads from members will also be published. It would be helpful if submissions would be made in a machine readable form. Windows readable disks are welcome. Files can also be sent to the Internet address k5xy@arrl.net. The club maintains a web site at <http://www.zianet.com/mvrc>.

JOIN THE CLUB

To join the Mesilla Valley Radio Club, renew your membership, or to support the repeaters, please print, cut out, and complete the form below. Send it with dues (\$35 single, \$45 family per year, add \$10 to receive the newsletter by US mail instead of e-mail) to: Treasurer, MVRC, Box 1443, Las Cruces, NM 88004.

Name	
------	--

Box or street address	
City	
State	
Zip	
Call	
Class of license	
Phone	
e-mail	
ARRL Member?	

[Return to home page](#)

[Return to Local Oscillator first page](#)