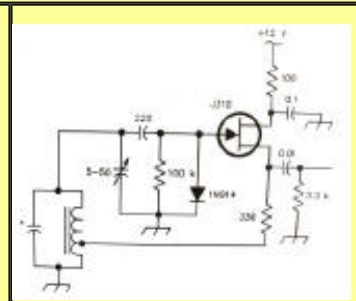


2008

Local Oscillator



June

Mesilla Valley Radio Club

A [pdf file](#) of this issue is available. It should print fairly easily. If you do not have the free pdf file reader, go to <http://www.adobe.com>

Coming Events

Date	Event	Time
Sun	CW Net 7.142	4:00PM
M - F	6 m FM net 52.540	6:00AM
M - F	round-table 52.525	8:00PM
T, T	Informal Wal-Mart (E)	10:00AM
M, W, F	Informal Wal-Mart (W)	10:00AM
Mon	WTRA Swap net 146.88	8 PM
Wed	Net 146.64	6:45PM
June 7	Breakfast - Club House	8 AM
June 7	Business meet - Club House	9 AM
June 11	Directors meeting -Club House	
June 28-29	Field Day	
July 11-13	Rocky Mountain Division Convention (Bryce Canyon)	
July 12	VE Test	
Aug 15-16	Duke City Hamfest	
Sept 13	VE Test	
Sept 13	VE Test	
Sept 20	Silver City Hamfest	
Nov 8	VE Test	

Table of Contents

[COMING EVENTS](#)
[TABLE OF CONTENTS](#)
[PRESIDENT'S CORNER](#)
[TECH CLASS](#)
[EQUIPMENT FOR SALE](#)
[STORAGE BUILDING UPDATE](#)
[VE SESSIONS SCHEDULED](#)
[EXTRA CLASS QUESTIONS CHANGE](#)
[DXING](#)
[INCOME/EXPENSE](#)
[BACK PAGE](#)



Newly Painted Shed

More information at <http://swantenna.com>

Southwest Antennas & Accessories

<http://swantenna.com>

The space below is used for acknowledgements and maintaining the site.
Send comments, suggestions, and requests to [Alex. F. Burr](mailto:aburr@qzxservices.com) or send e-mail to aburr@qzxservices.com.
Technical assistance, net access, design, and maintenance provided by qzxservices.com

THE ARTICLES FOR THIS MONTH

PRESIDENT'S CORNER

KD5ZHI

Successful Bean Feed? I think so. The annual Bean Feed was held at the end of last month and it was successful in that we had lots of help to make it so. A commercial vendor, Darryl Clutter from Southwest Antenna, said it was successful for him as well. Darryl said the Albuquerque tail gate was the day prior and both were on par with each other for sales, attendance, but we had great food.

Our New Mexico section manager attended as well. He also complimented the club for its organization and good attendance. I appreciate him traveling all the way from Albuquerque to make it. We had several other club hams as well and a few out of state guests. The club sold more of our donated equipment than we had anticipated. I thank all of those who made a donation to the club, it really helps. We also had great weather, we could not have ordered a better day for our event. In closing about the bean feed I want to thank all of those who helped make it a success. Our help comes from so many places both direct and indirect support. I thank all of you for your support in making it yet another success.

Looking now to the summer, our next event is field day the last week in June. This is just around the corner. Henry, AD5FE, is making preparations and should have a plan for the club soon as to location and type of station the club will operate.

[Return to Table of Contents](#)

TECH CLASS

KD5SSF

A Technician Amateur Radio class will be held on the weekend of 13-15 June 2008. The class will start at 6 PM on Friday, June 13 and will conclude about noon on Sunday, June 15. The FCC exam will be administered about 1 PM on Sunday. The success rate for people taking the class is close to 100%. Please let those interested in taking this class know to contact Tim Linn (521-0486 KD5SSF@ARRL.NET) for more information. If you are interested in upgrading your license by taking an exam at the same time as the Technician Class students (June 15 at 1 PM) please also let Tim Linn know.

[Return to Table of Contents](#)

EQUIPMENT FOR SALE

AD5LJ

The club has several items of equipment that did not sell at the Bean Feed. The items are

being offered to club members at reduced prices until end of June. After that time remaining items will be listed on EBAY or otherwise disposed of.

Kenwood HF station (AT-230 antenna tuner,430S HF transceiver , Astron RS-35M power supply and S-43S hand mic --\$350.

Astron VS35M power supply (new item) ---\$150

PATCOMM PC16000 Transceiver (1997 software defined transceiver, all modes, 100 Watts out). This is a rare radio. --- \$350.

CENTRAL ELECTRONICS 200V Transmitter. (1961 vacuum tube 100 Watt transmitter, AM/SSB/FSK/CW modes, 80 thru 10 meters. This is a very complex and HEAVY transmitter). This is also a very rare radio. --- Best offer over \$100.

Six Radio Shack 5 Ft, 1.5 Inch diameter telescoping antenna mast sections ---- Best offer

50 Foot Aluminum tower. Consists of three 20-footl telescoping sections. --- Best Offer

10 Foot Diameter Parabolic Dish reflector. Best Offer

If you are interested in any of the above items, please contact me at 382-0148.

[Return to Table of Contents](#)

STORAGE BUILDING UPDATE

AD5LJ

We had another work day on Saturday 17 May. We managed to complete painting the outside walls and the front doors. The building is finished except for some caulking and construction of shelves inside .I would like to thank the following for their outstanding work: George KD5OHA, Ron KE5KLK, Al K7ICW and Dennis KB5TPV.

[Return to Table of Contents](#)

VE SESSIONS

N5WQ

At the VE test session following the Bean Feed, seven people came to be tested. Four people passed the Technician test, one person passed both the Technician and General tests, and one person upgraded to an Extra. On the next Saturday, following the club meeting, one person passed the Technician test.

The revised schedule for the rest of this year is:

July 12, 2008, September 13, 2008, November 8, 2008

Sponsor: MESILLA VALLEY RADIO CLUB

Time: 8:30 AM (call to schedule 2 days in advance -- no walk-ins)

Contact: JOHN G HEMPFLING

(575) 373-1166

Email: N5WQ@ZIANET.COM

VEC: ARRL/VEC

Location: MESILLA VALLEY RADIO CLUB HOUSE

CORNER OF JEFFERSON & WILT

LAS CRUCES, NM 88001

Additional tests may be scheduled at the end of classes and/or by request in advance.

[Return to Table of Contents](#)

EXTRA CLASS QUESTIONS CHANGE

N5WQ

If you are thinking about taking the test to become an extra, please note that the test changes on July 1, 2008. The question pool will be new and will have schematics. ARRL indicates that the new Extra Class question pool contains 12 schematic diagrams.

The new question pool is available for download in either Word or PDF format at

<http://www.arrl.org>

[Return to Table of Contents](#)

DXING

Google Earth users: Check out an awesome display of near-realtime Maximum Useable Frequency (MUF) by clicking on the appropriate link at

<http://terra1.spacenvironment.net/~ionops/ES4Dintro.html>. MUF

essentially describes the highest frequency one can communicate from one point on earth to another by bouncing signals off the ionosphere.

Of course, there's other factors at play but this is a great way to see how the bands are doing on a first order. Check it out!

If you prefer to use DX spotting tools, the ever popular DX Summit has taken on a brand-new and improved look. Visit <http://www.dxsummit.fi/> to see the latest DX postings on all bands, or choose a custom spot to display DX on just one particular band.

[Return to Table of Contents](#)

INCOME/EXPENSE APRIL, 2008

N5CWW

INCOME

Bean Feed	310.00	
Breakfast & Drinks	76.00	
Dues	195.00	
Equipment Sales	2881.79	
Total income		3462.79

EXPENSES

Breakfast & Drinks	27.94	
Utilities -	191.80	
Total expenses -		163.86

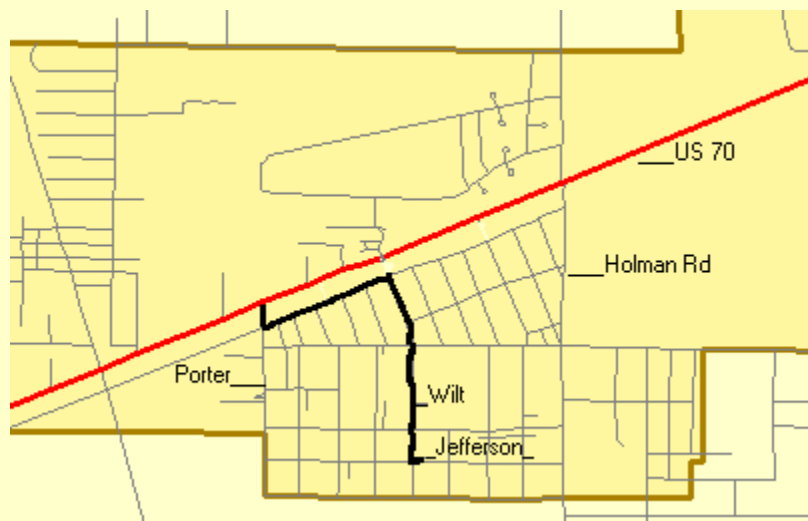
Cash and Bank Accounts as of 1May08

MVRC Checking	4433.03	
MVRC Education Fund	2113.98	
MVRC Savings Account	0.00	
MVRC CD	5130.16	
MVRC Petty Cash	50.00	
TOTAL Cash and Bank Accounts		11727.17

[Return to Table of Contents](#)

CLUB INFORMATION

The MVRC Clubhouse is located at the intersection of Wilt and Jefferson in Hacienda Heights. To find the clubhouse, set your destination on your GPS receiver as 32 degrees 22.961 minutes and -106 degrees 41.44 minutes. If you don't own a gps, take the Porter exit on US 70. It is about 5 miles from the I 25 interchange, near the firehouse. Almost immediately south of the south frontage road on the south side of US 70, turn left toward the mountains until you come to Wilt. Turn right. There is a jog in the road, but at 0.35 miles you should come to Jefferson. If you can't see the tower and beam, you shouldn't be driving. The treasurer would be delighted to receive your contribution for landscaping and furnishing.



Officers

Office	Name	Call	Phone	e-mail
President	Tres Campbell	KD5HZI	373-2008	trscam@netscape.net
Vice-President	Dennis Shepan	KB5TPV	522-7466	KB5TPV@zianet.com
Secretary	Jack Lemons	N5PK	526-9428	fullback@zianet.com
Treasurer	Charlie Welch	N5CWW	496-3901	cwwelch@usa.net
Board Members	Alex. Burr	K5XY	522-2528	k5xy@arrl.net
	Bob Bennett	AD5LJ	382-0148	rbennett1@comcast.net
	Henry Schotzko	AD5FE	AD5FE	schotzko@comcast.net
	Tim Linn	KD5SSF	521-0486	KD5SSF@arrl.net
	Brad Sacca	KC5SKE	382-4380	shiekyerbouty@msn.com

The newsletter is always looking for articles and notes of interest to the members of the Mesilla Valley Radio Club. Please send them to Alex. F. Burr, K5XY, Editor, MVRC Local Oscillator, 695 Stone Canyon Drive, Las Cruces, NM 88011. Small personal ads from members will also be published. It would be helpful if submissions would be made in a machine readable form. Windows readable disks are welcome. Files can also be sent to the Internet address k5xy@arrl.net. The club maintains a web site at <http://www.zianet.com/mvrc>.

JOIN THE CLUB

To join the Mesilla Valley Radio Club, renew your membership, or to support the repeaters, please print, cut out, and complete the form below. Send it with dues (\$35 single, \$45 family per year, add \$10 to receive the newsletter by US mail instead of e-mail) to: Treasurer, MVRC, Box 1443, Las Cruces, NM 88004.

Name	
------	--

Club Information

Box or street address	
City	
State	
Zip	
Call	
Class of license	
Phone	
e-mail	
ARRL Member?	

[Return to home page](#)

[Return to Local Oscillator first page](#)