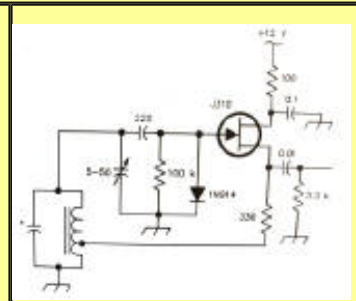


2008

Local Oscillator



May

Mesilla Valley Radio Club

A [pdf file](#) of this issue is available. It should print fairly easily. If you do not have the free pdf file reader, go to <http://www.adobe.com>

Coming Events

Table of Contents

Date	Event	Time
Sun	CW Net 7.142	4:00PM
M - F	6 m FM net 52.540	6:00AM
M - F	round-table 52.525	8:00PM
T, T	Informal Wal-Mart (E)	10:00AM
M, W, F	Informal Wal-Mart (W)	10:00AM
Mon	WTRA Swap net 146.88	8 PM
Wed	Net 146.64	6:45PM
April 27	Bean Feed	
May 3	Breakfast - Club House	8 AM
May 3	Business meet - Club House	9 AM
May 7	Directors meeting -Club House	
Mau 10	Silver City Swapfest	
May 30,31 June 1	Tech Class Club House	

[COMING EVENTS](#)
[TABLE OF CONTENTS](#)
[PRESIDENT'S CORNER](#)
[TECH CLASS](#)
[FIELD DAY](#)
[VE SESSIONS SCHEDULED](#)
[INCOME/EXPENSE](#)
[BACK PAGE](#)

Bean Feed

April 27

More information at <http://swantenna.com>



Southwest Antennas & Accessories

<http://swantenna.com>

The space below is used for acknowledgements and maintaining the site.

Send comments, suggestions, and requests to [Alex. F. Burr](mailto:Alex.F.Burr) or send e-mail to aburr@qzxservices.com.

Technical assistance, net access, design, and maintenance provided by qzxservices.com

THE ARTICLES FOR THIS MONTH

PRESIDENT'S CORNER

KD5ZHI

Hello all, the Bean Feed is upon us. Get ready to do some eye balling, buying, and selling. The Bean Feed will be April 27th.

[Return to Table of Contents](#)

TECH CLASS

KD5SSF

Amateur Radio entry level class

The Mesilla Valley Radio Club will offer a class for those wishing to earn the entry level (Technician) Amateur Radio license. The class will be held Friday, May 30 to Sunday, June 1, at the MVRC club house, located at the corner of Wilt and Jefferson Streets. For further information, contact Tim Linn at KD5SSF@ARRL.NET or 575 521-0486.

[Return to Table of Contents](#)

FIELD DAY - JUNE 28-29

Whether it's to be enjoyed with a bunch of friends, a local club, or an ARES group, in the mountains or in the city, Field Day is only two months away! We hope you and your club are gearing up to be a part of the fun.

ARRL has created a new, useful feature on its website: A tool that displays Field Day sites and information across the United States and Canada, thanks to Google Maps. While you or your club members may know where your particular Field Day site will be located, the real beauty of this feature is to inform other Hams, prospective Hams, or visitors where Field Day efforts will take place in their areas. Is your site shown on the map?

Head over to <http://www.arrl.org/contests/announcements/fd/locator.php> to see what Field Day sites are nearby, or to add yours. This tool is only as good as the number of people who make use of it, so please post your site and spread the word to all the Hams you know, especially those new to the hobby.

Information packets and rules for the 2008 event are available for download at <http://www.arrl.org/news/stories/2008/02/08/101/?nc=1> See you on the bands this June 28-29.

[Return to Table of Contents](#)

VE SESSIONS SCHEDULED

May 3, 2008, July 12, 2008, September 13, 2008, November 1, 2008

Sponsor: MESILLA VALLEY RADIO CLUB

Time: 11:30 AM (call to schedule 1-2 days in advance)

Contact: JOHN G HEMPFLING

(575) 373-1166

Email: N5WQ@ZIANET.COM

VEC: ARRL/VEC

Location: MESILLA VALLEY RADIO CLUB HOUSE

CORNER OF JEFFERSON & WILT

LAS CRUCES, NM 88001

[Return to Table of Contents](#)

INCOME/EXPENSE MARCH, 2008

N5CWW

INCOME

Breakfast & Drinks	14.00
Dues	245.00
Equipment Sales	50.00
Donation from Jack Lemons	150.00
Total income	459.00

EXPENSES

Breakfast & Drinks	21.21
Capital Expense	150.00
Utilities	26.53
Total expenses	197.74
Cash and Bank Accounts as of 1Apr08	
MVRC Checking	726.38
MVRC Education Fund	2113.98
MVRC Savings Account	0.00
MVRC CD	5130.16
MVRC Petty Cash	50.00

TOTAL Cash and Bank Accounts 8020.52

[Return to Table of Contents](#)

CLUB INFORMATION

The MVRC Clubhouse is located at the intersection of Wilt and Jefferson in Hacienda Heights. To find the clubhouse, set your destination on your GPS receiver as 32 degrees 22.961 minutes and -106 degrees 41.44 minutes. If you don't own a gps, take the Porter exit on US 70. It is about 5 miles from the I 25 interchange, near the firehouse. Almost immediately south of the south frontage road on the south side of US 70, turn left toward the mountains until you come to Wilt. Turn right. There is a jog in the road, but at 0.35 miles you should come to Jefferson. If you can't see the tower and beam, you shouldn't be driving. The treasurer would be delighted to receive your contribution for landscaping and furnishing.



Officers

Office	Name	Call	Phone	e-mail
President	Tres Campbell	KD5HZI	373-2008	trscam@netscape.net
Vice-President	Dennis Shepan	KB5TPV	522-7466	KB5TPV@zianet.com
Secretary	Jack Lemons	N5PK	526-9428	fullback@zianet.com
Treasurer	Charlie Welch	N5CWW	496-3901	cwwelch@usa.net
Board Members	Alex. Burr	K5XY	522-2528	k5xy@arrl.net
	Bob Bennett	AD5LJ	382-0148	rbennett1@comcast.net
	Henry Schotzko	AD5FE	AD5FE	schotzko@comcast.net
	Tim Linn	KD5SSF	521-0486	KD5SSF@arrl.net
	Brad Sacca	KC5SKE	382-4380	shiekyerbouty@msn.com

The newsletter is always looking for articles and notes of interest to the members of the Mesilla Valley Radio Club. Please send them to Alex. F. Burr, K5XY, Editor, MVRC Local Oscillator, 695 Stone Canyon Drive, Las Cruces, NM 88011. Small personal ads from members will also be published. It would be helpful if submissions would be made in a machine readable form. Windows readable disks are welcome. Files can also be sent to the Internet address k5xy@arrl.net. The club maintains a web site at <http://www.zianet.com/mvrc>.

JOIN THE CLUB

To join the Mesilla Valley Radio Club, renew your membership, or to support the repeaters, please print, cut out, and complete the form below. Send it with dues (\$35 single, \$45 family per year, add \$10 to receive the newsletter by US mail instead of e-mail) to: Treasurer, MVRC, Box 1443, Las Cruces, NM 88004.

Name	
------	--

Box or street address	
City	
State	
Zip	
Call	
Class of license	
Phone	
e-mail	
ARRL Member?	

[Return to home page](#)

[Return to Local Oscillator first page](#)