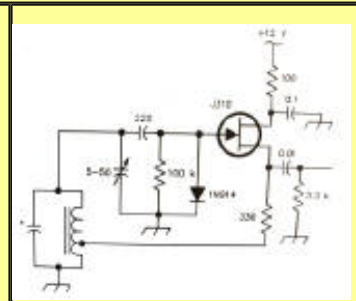


2008

Local Oscillator



April

Mesilla Valley Radio Club

A [pdf file](#) of this issue is available. It should print fairly easily. If you do not have the free pdf file reader, go to <http://www.adobe.com>

Coming Events

Table of Contents

Date	Event	Time
Sun	CW Net 7.142	4:00PM
M - F	6 m FM net 52.540	6:00AM
M - F	round-table 52.525	8:00PM
T, T	Informal Wal-Mart (E)	10:00AM
M, W, F	Informal Wal-Mart (W)	10:00AM
Mon	WTRA Swap net 146.88	8 PM
Wed	Net 146.64	6:45PM
April 5	Breakfast - Club House	8 AM
April 5	Business meet - Club House	9 AM
April 9	Directors meeting -Club House	
April 27	Bean Feed	

COMING EVENTS
 TABLE OF CONTENTS
[PRESIDENT'S CORNER](#)
[APRIL MEETING](#)
[TREASURER'S NOTE](#)
[INCOME/EXPENSE](#)
[BACK PAGE](#)



2007 BEAN FEED

More information at <http://swantenna.com>

Southwest Antennas & Accessories

<http://swantenna.com>

The space below is used for acknowledgements and maintaining the site.
Send comments, suggestions, and requests to [Alex. F. Burr](mailto:Alex.F.Burr) or send e-mail to [aburr @ qzxservices.com](mailto:aburr@qzxservices.com).
Technical assistance, net access, design, and maintenance provided by qzxservices.com

THE ARTICLES FOR THIS MONTH

PRESIDENT'S CORNER

KD5ZHI

Hello all, the Bean Feed is upon us. Get ready to do some eye balling, buying, and selling. The Bean Feed will be April 27th. We currently need to staff three positions still. We need someone to buy and prepare the food, cook, and organize a clean up crew. This is the key to the BEAN FEED, we need help. Please contact me at 642-8595 to help, We really need it. If you would like to make a donation of equipment please do so by bringing it to the Bean Feed. Bob Bennet is offering something new this year as well. If you want the club to sell your items we will do so for a 10% fee. A flyer is on the club web page (Thanks Jim) which has a schedule and details. We have made an effort to notify other clubs well in advance this year. We expect a good turn out especially if the weather holds. On other things, the Battan Death March was this Sunday, George and Henry had an great turnout and radio communications were great. Cash Olsen's builders group is moving forward on a new project with several others planned. If you would like to join the group contact Cash at the meeting. Field day is coming soon as well. Henry is planning on something very different this year. The club station will be in the Office Of Emergency Management this year. This qualifies us in a different category and should be unique. See Henry for upcoming details. Enjoy the warm weather and see you at the next meeting.

[Return to Table of Contents](#)

APRIL MEETING

KB5TPV

Al Olcott (K7ICW) will be the speaker at the April meeting. He will lead a discussion on antennas and the problems that some of us encounter

[Return to Table of Contents](#)

TREASURER'S NOTE

N5CWW

This month's Local Oscillator is being emailed to an expanded list of local hams who may not be members of MVRC. Partly we want to remind you of our upcoming Bean Feed (see attached) that has been a local highlight many years and partly we'd like to encourage you to join us as a member of the club. The club provides many benefits to the community as a whole and to hams in particular. Membership dues ensure that we can continue to maintain

and improve our clubhouse facilities and repeater sites as well as provide community services and encourage new hams. If you've not been to a club meeting lately you should pay a visit and see the range of activities in which we're involved. The dues are still very reasonable at \$35 single or \$45 family. They can be brought to a monthly meeting which occurs every 1st Saturday of the month or mailed to Treasurer, MVRC, P.O. Box 1443, Las Cruces, NM 88004. We'll put them to good use and you'll continue to receive the Local Oscillator.

[Return to Table of Contents](#)

INCOME/EXPENSE FEBRUARY, 2008 N5CWW

INCOME

Breakfast & Drinks	10.00
Dues	432.49
Equipment Sales	75.00
Total income	517.49

EXPENSES

Breakfast & Drinks	57.24
Capital Expense	1300.00
Postage stamps	41.00
Repeater	351.38
Utilities	84.73
Total expenses	1834.35

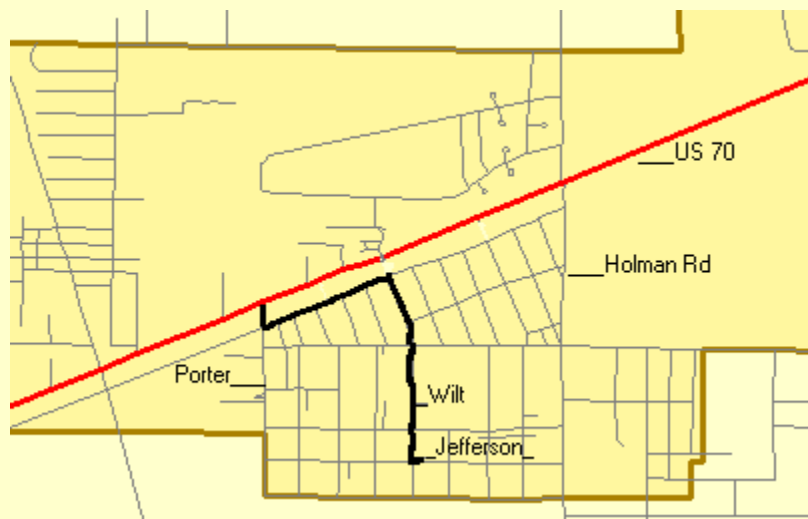
Cash and Bank Accounts as of 1Feb08

MVRC Checking	465.12
MVRC Education Fund	2111.30
MVRC Savings Account	0.00
MVRC CD	5130.16
MVRC Petty Cash	50.00
TOTAL Cash and Bank Accounts	8933.12

[Return to Table of Contents](#)

CLUB INFORMATION

The MVRC Clubhouse is located at the intersection of Wilt and Jefferson in Hacienda Heights. To find the clubhouse, set your destination on your GPS receiver as 32 degrees 22.961 minutes and -106 degrees 41.44 minutes. If you don't own a gps, take the Porter exit on US 70. It is about 5 miles from the I 25 interchange, near the firehouse. Almost immediately south of the south frontage road on the south side of US 70, turn left toward the mountains until you come to Wilt. Turn right. There is a jog in the road, but at 0.35 miles you should come to Jefferson. If you can't see the tower and beam, you shouldn't be driving. The treasurer would be delighted to receive your contribution for landscaping and furnishing.



Officers

Office	Name	Call	Phone	e-mail
President	Tres Campbell	KD5HZI	373-2008	trscam@netscape.net
Vice-President	Dennis Shepan	KB5TPV	522-7466	KB5TPV@zianet.com
Secretary	Bob Rossow	KE5ISD	522-7445	fullback@zianet.com
Treasurer	Charlie Welch	N5CWW		cwwelch@usa.net
Board Members	Alex. Burr	K5XY	522-2528	k5xy@arrl.net
	Bob Bennett	AD5LJ	382-0148	rbennett1@comcast.net
	Henry Schotzko	AD5FE	AD5FE	schotzko@comcast.net
	Tim Linn	KD5SSF	521-0486	KD5SSF@arrl.net
	Brad Sacca	KC5SKE	382-4380	shiekyerbouty@msn.com

The newsletter is always looking for articles and notes of interest to the members of the Mesilla Valley Radio Club. Please send them to Alex. F. Burr, K5XY, Editor, MVRC Local Oscillator, 695 Stone Canyon Drive, Las Cruces, NM 88011. Small personal ads from members will also be published. It would be helpful if submissions would be made in a machine readable form. Windows readable disks are welcome. Files can also be sent to the Internet address k5xy@arrl.net. The club maintains a web site at <http://www.zianet.com/mvrc>.

JOIN THE CLUB

To join the Mesilla Valley Radio Club, renew your membership, or to support the repeaters, please print, cut out, and complete the form below. Send it with dues (\$35 single, \$45 family per year, add \$10 to receive the newsletter by US mail instead of e-mail) to: Treasurer, MVRC, Box 1443, Las Cruces, NM 88004.

Name	
------	--

Club Information

Box or street address	
City	
State	
Zip	
Call	
Class of license	
Phone	
e-mail	
ARRL Member?	

[Return to home page](#)

[Return to Local Oscillator first page](#)