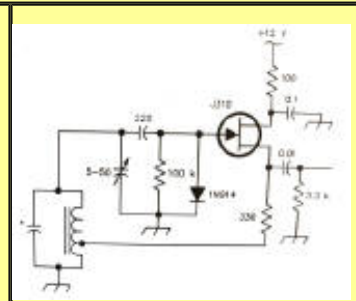


2008

Local Oscillator



March

Mesilla Valley Radio Club

A [pdf file](#) of this issue is available. It should print fairly easily. If you do not have the free pdf file reader, go to <http://www.adobe.com>

Coming Events

Table of Contents

Date	Event	Time
Sun	CW Net 7.142	4:00PM
M - F	6 m FM net 52.540	6:00AM
M - F	round-table 52.525	8:00PM
T, T	Informal Wal-Mart (E)	10:00AM
M, W, F	Informal Wal-Mart (W)	10:00AM
Mon	WTRA Swap net 146.88	8 PM
Wed	Net 146.64	6:45PM
March 1	Breakfast - Club House	8 AM
March 1	Business meet - Club House	9 AM
March 5	Directors meeting -Club House	
March 8	Run Old Mesilla Race	
April 27	Bean Feed	

[COMING EVENTS](#)
[TABLE OF CONTENTS](#)
[PRESIDENT'S CORNER](#)
[DUES](#)
[MARCH MEETING](#)
[WEATHER SPOTTER TRAINING](#)
[INCOME/EXPENSE](#)
[BACK PAGE](#)



KD5OHA NCS SuperS Race

More information at <http://swantenna.com>

Southwest Antennas & Accessories

<http://swantenna.com>

The space below is used for acknowledgements and maintaining the site.
Send comments, suggestions, and requests to [Alex. F. Burr](mailto:Alex.F.Burr) or send e-mail to aburr@qzxservices.com.
Technical assistance, net access, design, and maintenance provided by qzxservices.com

THE ARTICLES FOR THIS MONTH

PRESIDENT'S CORNER

KD5ZHI

Hello all, we are having a great year so far. We have a new club house storage building and Bob Bennet and crew got the first paint on it last weekend. Jack made the project move quickly by daily coordination with the contractor. Thanks to all involved with the success of this project. Brad Sacca has the new controller for the 76 machine and is working with Cash Olsen to program it. We will have it on the mountain this next month and working. The intent is remote control for this repeater. We also have the been feed just around the corner. We will be finalizing the schedule for help this next week and are looking for volunteers, If you want to help out please give me a call. Lastly and most important is our dues. We are still way down from last year at this time. If you have not paid your dues please do so next meeting which will be a very good meeting that Dennis has arranged, please see his article. Thanks for all the support and I look forward to a great spring

[Return to Table of Contents](#)

DUES

N5CWW

Note from the treasurer - For those who haven't yet sent in your 2008 dues this would be good time. Our fiscal year and membership year run concurrently with the calendar year so dues are due on January 1st. We continue to send the Local Oscillator through April regardless of renewal status.

Membership dues form a major part of our budget. They enable us to maintain and upgrade the clubhouse, station, and repeaters as well as conduct educational and license classes among other activities. You can mail your dues to MVRC Treasurer, P.O. Box 1443, Las Cruces, NM 88004, or bring them to our business meeting the first Saturday of the month, or be creative. We'll appreciate them any way they come in. Club Dues for 2008 are now being accepted and are delinquent after April 31, 2008. In addition to supporting the various club activities such as Field Day and education classes, dues are necessary to cover the club house expenses such as property taxes, insurance, utilities, and clubhouse maintenance (please see our 2008 Budget for details on these). Dues are \$35, single, and \$45, family, payable to Mesilla Valley Radio Club and can be mailed to: Treasurer, MVRC, P.O. Box 1443, Las Cruces NM 88004.

[Return to Table of Contents](#)

MARCH MEETING

KB5TPV

Brian Milesosky (N5ZGT), ARRL Rocky Mountain Division Director and Don Wood (W5FHA), ARRL

Section Manager will be attending our March business meeting. They will be our speakers and will be informing us of happenings in the ARRL. This is a fantastic opportunity to meet our section representatives from the ARRL. Please make every effort to attend the March meeting and welcome Brian and Don on their visit to the southern part of the state.

[Return to Table of Contents](#)

WEATHER SPOTTER TRAINING AD5FE

There will be a Sky-warn/Weather Spotter training class on April 23, 2008 (that's a Wed.) from 6:00 PM till 9:00 PM in the EOC at the corner of Solano and Spruce in Las Cruces, NM. If you are interested, let me know. My e-mail is schotzko@comcast.net. Also, if there is enough interes after the first class, which is a Basic/Intermediate class, there will be an advanced class held later in the year.

[Return to Table of Contents](#)

INCOME/EXPENSE January, 2008 N5CWW

INCOME

Breakfast & Drinks	55.00	
Dues	570.00	
Equipment Sales	120.00	
Total income		745.00

EXPENSES

Capital Expense -	3501.33	
Postage -	41.00	
Tax Exempt Fee -	10.00	
Utilities -	380.26	
Total expenses -		3932.59

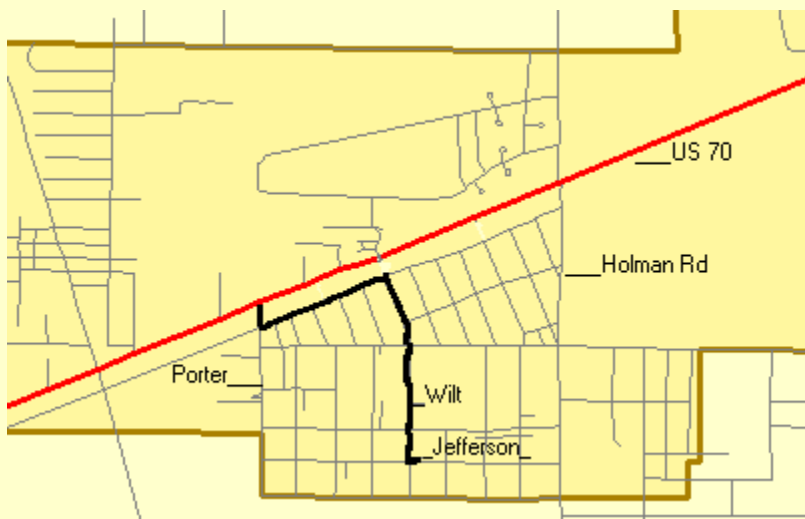
Cash and Bank Accounts as of 1Feb08

MVRC Checking 1	638.98	
MVRC Education Fund	2113.98	
MVRC Savings Account	0.00	
MVRC CD	5130.16	
MVRC Petty Cash	50.00	
TOTAL Cash and Bank Accounts		8933.12

[Return to Table of Contents](#)

CLUB INFORMATION

The MVRC Clubhouse is located at the intersection of Wilt and Jefferson in Hacienda Heights. To find the clubhouse, set your destination on your GPS receiver as 32 degrees 22.961 minutes and -106 degrees 41.44 minutes. If you don't own a gps, take the Porter exit on US 70. It is about 5 miles from the I 25 interchange, near the firehouse. Almost immediately south of the south frontage road on the south side of US 70, turn left toward the mountains until you come to Wilt. Turn right. There is a jog in the road, but at 0.35 miles you should come to Jefferson. If you can't see the tower and beam, you shouldn't be driving. The treasurer would be delighted to receive your contribution for landscaping and furnishing.



Officers

Office	Name	Call	Phone	e-mail
President	Tres Campbell	KD5HZI	373-2008	trscam@netscape.net
Vice-President	Dennis Shepan	KB5TPV	522-7466	KB5TPV@zianet.com
Secretary	Bob Rossow	KE5ISD	522-7445	fullback@zianet.com
Treasurer	Charlie Welch	N5CWW		cwwelch@usa.net
Board Members	Alex. Burr	K5XY	522-2528	k5xy@arrl.net
	Bob Bennett	AD5LJ	382-0148	rbennett1@comcast.net
	Henry Schotzko	AD5FE	AD5FE	schotzko@comcast.net
	Tim Linn	KD5SSF	521-0486	KD5SSF@arrl.net
	Brad Sacca	KC5SKE	382-4380	shiekyerbouty@msn.com

The newsletter is always looking for articles and notes of interest to the members of the Mesilla Valley Radio Club. Please send them to Alex. F. Burr, K5XY, Editor, MVRC Local Oscillator, 695 Stone Canyon Drive, Las Cruces, NM 88011. Small personal ads from members will also be published. It would be helpful if submissions would be made in a machine readable form. Windows readable disks are welcome. Files can also be sent to the Internet address k5xy@arrl.net. The club maintains a web site at <http://www.zianet.com/mvrc>.

JOIN THE CLUB

To join the Mesilla Valley Radio Club, renew your membership, or to support the repeaters, please print, cut out, and complete the form below. Send it with dues (\$35 single, \$45 family per year, add \$10 to receive the newsletter by US mail instead of e-mail) to: Treasurer, MVRC, Box 1443, Las Cruces, NM 88004.

Name	
------	--

Box or street address	
City	
State	
Zip	
Call	
Class of license	
Phone	
e-mail	
ARRL Member?	

[Return to home page](#)

[Return to Local Oscillator first page](#)