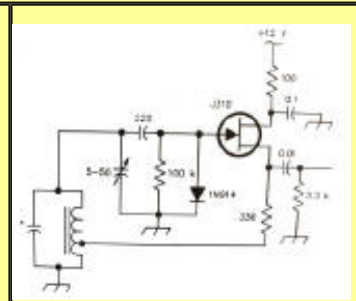


2007

# Local Oscillator



December

Mesilla Valley Radio Club

A [pdf file](#) of this issue is available. It should print fairly easily. If you do not have the free pdf file reader, go to <http://www.adobe.com>

## Coming Events

## Table of Contents

Date	Event	Time
Sun	CW Net 7.142	4:00PM
M - F	6 m FM net 52.540	6:00AM
M - F	round-table 52.525	8:00PM
T, T	Informal Wal-Mart (E)	10:00AM
M, W, F	Informal Wal-Mart (W)	10:00AM
Mon	WTRA Swap net 146.88	8 PM
Wed	Net 146.64	6:45PM
Mon	YL Rise & Shine 449.9	8:30AM
Dec ?	Dinner at Furr's	?
Jan 5	Breakfast - Club House	8 AM
Jan 5	Business meet - Club House	9 AM
Jan 9	Directors meet - Club House	7:00 PM

[COMING EVENTS](#)  
[TABLE OF CONTENTS](#)  
[PRESIDENT'S CORNER](#)  
[LOCAL OSCILLATOR](#)  
[CHRISTMAS DINNER](#)  
[CARE AND FEEDING OF RF CONNECTORS](#)  
[SS](#)  
[DUES](#)  
[BUDGET 2008](#)  
[INCOME/EXPENSE](#)  
[BACK PAGE](#)



# MVRC CLUB STATION

More information at <http://swantenna.com>

**Southwest Antennas & Accessories**

<http://swantenna.com>

The space below is used for acknowledgements and maintaining the site.  
Send comments, suggestions, and requests to [Alex. F. Burr](mailto:aburr@qzxservices.com) or send e-mail to [aburr@qzxservices.com](mailto:aburr@qzxservices.com).  
Technical assistance, net access, design, and maintenance provided by [qzxservices.com](http://qzxservices.com)

## THE ARTICLES FOR THIS MONTH

### PRESIDENT'S CORNER

KD5ZHI

I want to thank so many people who have helped the success of this club. From helping with equipment donations, organizing events, making food, donating time to a committee, helping with cleanups and just all around work. If it were not for so many helping hands we would not have some many things to be thankful for. I thank all of you. I also wanted to say thanks for giving me another year as your president. I am looking forward to serving you and your needs. Please attend the meetings or call and let me know what I can do for you. I am also pleased that so much of the other officers and board are staying as well. We have a good working team. There will not be a regular business meeting in December, we will, although, have a Christmas dinner at Furr's Buffet again this year. The details will follow on the date and time.

[Return to Table of Contents](#)

### LOCAL OSCILLATOR.

K5XY

There will be no January issue of the Local Oscillator but the January events schedule is given in this issue. Some will have noticed that near the bottom of the home page of the Local Oscillator there are some links to current amateur news articles.

[Return to Table of Contents](#)

### CHRISTMAS DINNER

There are plans for a Christmas Dinner but the date and times are not available as this issue of the Local Oscillator goes out. When they are known, they will be posted on the Local Oscillator site, <http://www.mvrc.qzxservices.com>. A special page will be created to hold the announcement.

[Return to Table of Contents](#)

### CARE AND FEEDING OF RF CONNECTORS

KI5FJ

A low resistance connection is always very important.  
Oxidation just due to time will impede your signal flow.

Each time you connect/disconnect very small metal shavings are created and will eventually build up.

You will be amazed in the amount of shavings and oxidation removed with a Q-Tip, paper towel and BRASSO. The male PL-259 connector is easy to clean. The female SO-239 requires pulling some material off the Q-Tip. Be prepared to use 6 Q-Tips to get the connector clean and dry. A can of compressed air and rubbing alcohol can be used for the final cleaning. BNC and N connectors are more of a challenge. An ink type eraser pencil can be shaped and pushed over the center pin.

I suggest this preventive maintenance be done twice a year on connectors that you routinely use.

[Return to Table of Contents](#)

SS

K5XY

This article contains a few random notes on the ARRL Phone SS contest, now always held on the third full weekend in November. I am not one of the big guns, although I have won some section awards in the distant past. Now my house antenna is a wire running around the edge of my roof so most of my contacts were made from my mobile.

The contest certainly has changed. Long ago it used to last for two weekends. Now you can operate no longer than 24 hours. Few now have time to spend long hours at the mike. The short modern contest does emphasize equipment to generate a big signal over operator skill. There was a big difference between the bands. Twenty meters as usual was wall-to-wall with CQ SSs. The low bands of 160 and 75 did not have many CQs because there were not enough people listening to support the high QSO rate required for a high score. Forty meters served well when 20 died. However I found 15 meters to be the most interesting. The low (read about zero) sunspot number meant the 10 meters was useless, but 15 took its place quite nicely. When it was open (during mid-day signals were strong and high power and a good antenna was not necessary). There was even reasonable DX with Hawaii, Puerto Rico, and the Virgin Islands coming in with strong signals.

There are two main operating tactics; calling CQ or "Hunt and Pounce" where one looks for a station calling CQ and works him. The main operating skill is deciding which technique to use, when to switch, and which frequency gives you the most QSOs pre hour. In my case, my signal is so weak that calling CQ was useless, but, especially on 15 meters, I could usually work every reasonably strong signal I heard calling CQ.

The most interesting feature noticed was that before the contest started, 15 was dead, when it started, signals appeared. After the contest was over, the band was dead again. It is clear that 15 is open more often than people think.

[Return to Table of Contents](#)

DUES

N9OG

Club Dues for 2008 are now being accepted and are delinquent after April 31, 2008. In

addition to supporting the various club activities such as Field Day and education classes, dues are necessary to cover the club house expenses such as property taxes, insurance, utilities, and clubhouse maintenance (please see our 2008 Budget for details on these). Dues are \$35, single, and \$45, family, payable to Mesilla Valley Radio Club and can be mailed to: Treasurer, MVRC, P.O. Box 1443, Las Cruces NM 88004.

[Return to Table of Contents](#)

## BUDGET 2008

N9OG

### INCOME 2008 Budget

Bean Feed	400.00	
Breakfast & drinks	600.00	
Contributions	250.00	
Dues	2,000.00	
Interest Income	30.00	
Equipment Sales	1,420.00	
Education	850.00	
Total Income		5,550.00

### Expenses

Bank Charge	0.00	
Bean Feed	300.00	
Breakfast	400.00	
Club House	400.00	
Field Day	150.00	
Insurance	1,000.00	
Misc.	75.00	
NM Emergency Fee	30.00	
PO Box	60.00	
Postage	100.00	
President's Fund	75.00	
Property Tax	700.00	
Repeater	300.00	
Tax Exempt Fee	10.00	
Utilities		
Electric	450.00	
Propane	500.00	
Water	150.00	
Education Classes	850.00	
Total Expenses		5,550.00

[Return to Table of Contents](#)

INCOME/EXPENSE to October 30 2007  
N9GO

## Mesilla Valley Radio Club Income/Expense

Oct 01 to Oct 31

Beginning Balances 9/30/2007	
MVRC Checking Account	5096.08
MVRC Savings Account	0.00
MVRC 1 year CD	5130.16
Education Fund Account	2222.53
Cash on hand	50.00
 Balances Total	 12498.77
INCOME	
Breakfast & Drinks (2 months)	109.00
Dues	35.00
 TOTAL INCOME	 144.00
 Balances + Income	 12642.77
EXPENSES	
Club House	146.22
Newsletter	4.35
Utilities	
Electric (2 months)	64.14
Propane	0.00
Telephone	28.09
water	11.86
 TOTAL EXPENSES	 254.66
 Balances on hand Sep 30, 2007	 12388.11
	 <b>30-Sep-07</b>
Bank Accounts	

MVRC Checking Account	4985.42
MVRC Savings Account	0.00
MVRC 1 year CD	5130.16
Education Fund Account	2222.53
Cash on hand	50.00

TOTAL 12388.11

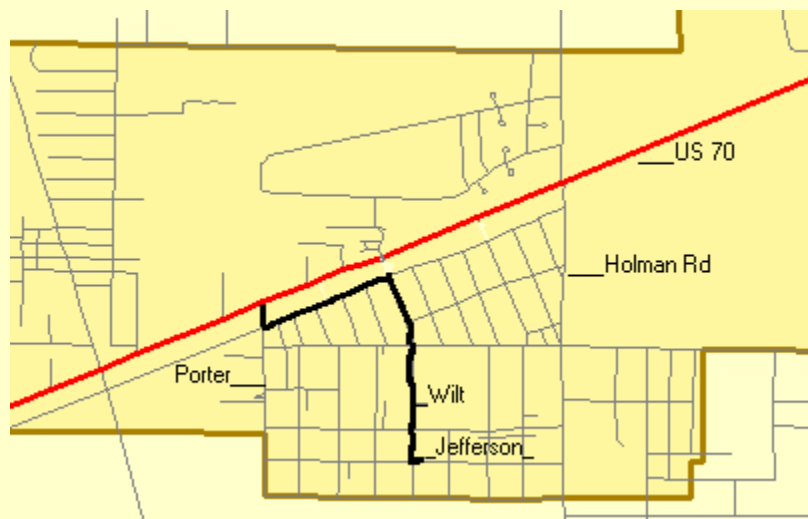
Martin Winkler, Treasurer

[Return to Table of Contents](#)



## CLUB INFORMATION

The MVRC Clubhouse is located at the intersection of Wilt and Jefferson in Hacienda Heights. To find the clubhouse, set your destination on your GPS receiver as 32 degrees 22.961 minutes and -106 degrees 41.44 minutes. If you don't own a gps, take the Porter exit on US 70. It is about 5 miles from the I 25 interchange, near the firehouse. Almost immediately south of the south frontage road on the south side of US 70, turn left toward the mountains until you come to Wilt. Turn right. There is a jog in the road, but at 0.35 miles you should come to Jefferson. If you can't see the tower and beam, you shouldn't be driving. The treasurer would be delighted to receive your contribution for landscaping and furnishing.



## Officers

Office	Name	Call	Phone	e-mail
President	Tres Campbell	KD5HZI	373-2008	<a href="mailto:trscam@netscape.net">trscam@netscape.net</a>
Vice-President	Dennis Shepan	KB5TPV	522-7466	<a href="mailto:KB5TPV@zianet.com">KB5TPV@zianet.com</a>
Secretary	Bob Rossow	KE5ISD	522-7445	<a href="mailto:fullback@zianet.com">fullback@zianet.com</a>
Treasurer	Martin Winkler	N9OG		
Board Members	Alex. Burr	K5XY	522-2528	<a href="mailto:k5xy@arrl.net">k5xy@arrl.net</a>
	Bob Bennett	AD5LJ	382-0148	<a href="mailto:rbennett1@comcast.net">rbennett1@comcast.net</a>
	Henry Schotzko	AD5FE	AD5FE	<a href="mailto:schotzko@comcast.net">schotzko@comcast.net</a>
	Jeff Campbell	KE5KLH	526-2868	<a href="mailto:Jeffrey.campbell-1.nasa.gov">Jeffrey.campbell-1.nasa.gov</a>
	Tim Linn	KD5SSF	521-0486	<a href="mailto:KD5SSF@arrl.net">KD5SSF@arrl.net</a>
	Brad Sacca	KC5SKE	382-4380	<a href="mailto:shiekyerbouty@msn.com">shiekyerbouty@msn.com</a>

The newsletter is always looking for articles and notes of interest to the members of the Mesilla Valley Radio Club. Please send them to Alex. F. Burr, K5XY, Editor, MVRC Local Oscillator, 695 Stone Canyon Drive, Las Cruces, NM 88011. Small personal ads from members will also be published. It would be helpful if submissions would be made in a machine readable form. Windows readable disks are welcome. Files can also be sent to the Internet address [k5xy@arrl.net](mailto:k5xy@arrl.net). The club maintains a web site at <http://www.zianet.com/mvrc>.

### JOIN THE CLUB

To join the Mesilla Valley Radio Club, renew your membership, or to support the repeaters, please print, cut out, and complete the form below. Send it with dues (\$35 single, \$45 family per year, add \$10 to receive the newsletter by US mail instead of e-mail) to: Treasurer, MVRC, Box 1443, Las Cruces, NM 88004.

Name	
------	--



Box or street address	
City	
State	
Zip	
Call	
Class of license	
Phone	
e-mail	
ARRL Member?	

[Return to home page](#)

[Return to Local Oscillator first page](#)