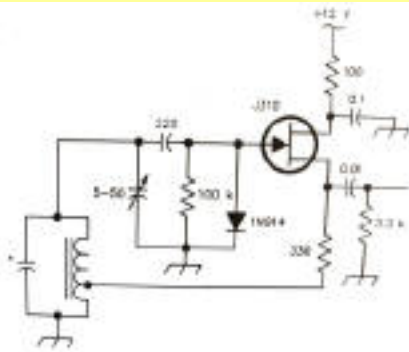
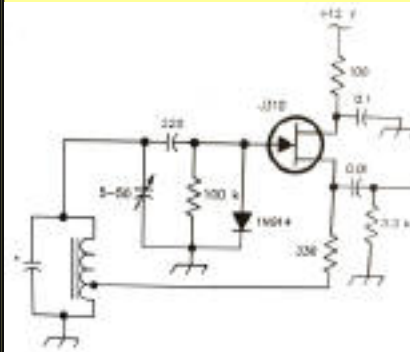


Local Oscillator



2007

Mesilla Valley Radio Club



September

A [pdf file](#) of this issue is available. It should print fairly easily. If you do not have the free pdf file reader, go to <http://www.adobe.com>

Coming Events

Table of Contents

Date	Event	Time
Sun	CW Net 7.142	4:00PM
M - F	6 m FM net 52.540	6:00AM
M - F	round-table 52.525	8:00PM
T, T	Informal Wal-Mart (E)	10:00AM
M, W, F	Informal Wal-Mart (W)	10:00AM
Mon	WTRA Swap net 146.88	8 PM
Wed	Net 146.64	6:45PM
Mon	YL Rise & Shine 449.9	8:30AM
Aug 4	Breakfast - Club House	8 AM
Aug 4	Business meet - Club House	9 AM
Aug 8	Directors meet - Club House	7:00 PM
Aug 17, 18	NM Hamfest Albuquerque	

[COMING EVENTS](#)
[TABLE OF CONTENTS](#)
[PRESIDENT'S CORNER](#)
[BUSINESS MEETING SPEAKER](#)
[HAMFEST](#)
[TECH CLASSES](#)
[STATE PUBLIC EVENTS HELP](#)
[INCOME/EXPENSE - JULY 2007](#)
[BACK PAGE](#)



Field Day 2007 Planners

The space below is used for acknowledgements and maintaining the site.

Send comments, suggestions, and requests to [Alex. F. Burr](#) or send e-mail to [aburr @ qzxservices.com](mailto:aburr@qzxservices.com).

Technical assistance, net access, design, and maintenance provided by qzxservices.com

THE ARTICLES FOR THIS MONTH

PRESIDENT'S CORNER

KD5ZHI

Hello all, I hope everyone enjoyed the last guest speaker we had, Mr. Tom Townsend from the Office of Emergency Management. He has inspired the board of directors to create a committee regarding the need and responsibly of the club to our community. We will be doing some training to better be able to support our community as well as start to communicate more regularly with his office. The board has also started another committee to investigate the possibility to have a club beacon. They will research cost, band, equipment and FCC rules for this. Any one interested in either please contact me. The radio club has been given a donation of equipment from Mary Cabot. This equipment is much appreciated. I want to thank those that helped Mary with this donation as well. So in closing, several different things are in the works with the club and we are going to be getting busy helping the races as well. I hope many of you get involved in some of these activities. Thanks and have fun

[Return to Table of Contents](#)

BUSINESS MEETING SPEAKER

KB5TPV

Joe Ostrowski, KI5FJ will be the speaker at the September meeting. The topic will be Baluns, Dipoles and Loops. It sounds like an interesting talk that Joe has prepared.

[Return to Table of Contents](#)

2007 ALAMOGORDO CITY HAMFEST

KE5EGP

Head to Alamogordo on Saturday, September 1, for the Alamogordo Amateur Radio Club's 23rd annual Hamfest. It will be at the Otero County Fairgrounds and will be open from 7:00 a.m. until 2:00 p.m. Admission is free, and the talk-in frequencies are 146.800 (negative off-set, 100 Hz) and 444.825 (positive off-set, 67 Hz). The AARC puts on a good event and really would like to see you there. For more information contact Charley Carpenter, W5NMX, at (505) 434-2543 or Larry Moore, WA5UNO, at (505)437-0145. You can also send e-mail to hamfest07@alamohams.org.

[Return to Table of Contents](#)

TECH CLASSES KD5SSF

MESILLA VALLEY RADIO CLUB CLASS SCHEDULE – FALL 2007

The **TECHNICIAN** class license is the entry-level FCC Amateur Radio license. It allows operation on Very High Frequencies (VHF) and Ultra High Frequencies (UHF), which are frequencies above 30 megahertz (MHz). VHF and UHF frequencies are useful for line-of-sight communication (although there are exceptions!). New Mexico has a system of repeaters that allows communications all over the state with a low-powered VHF radio.

The **GENERAL** class license allows operation on frequencies below 30 MHz, known as the high frequency (HF) bands. These frequencies can often be used for direct international communications.

The **EXTRA** class license allows operation on all frequencies allocated to Amateur Radio. There are not that many more frequencies than General, but many of them are better for voice communication over long distances. Besides, you never have to wonder if you are authorized to use a certain frequency, because you will be authorized to use any frequency on which modern Amateur Radio sets are capable of transmitting.

Class schedule is as follows. (Contact Tim Linn for information on the General and Extra classes.)

TECHNICIAN Cost: \$45 Early registration Sept 7. Deadline for registration: Sept 15, 2007

Friday, September 21, 6 p.m. to 8 p.m.

Saturday, September 22, 8 a.m. to 4:30 p.m.

Sunday, September 23, 8 a.m. to 12:30 p.m. Exams start by 1:30 p.m.

Please note that if you register after early registration you may not have a text book for the class. Costs include all necessary materials, snacks, lunches on Saturday and Sunday, and the FCC fee for the license exam.

If you have questions, please contact Tim Linn at 521-0486 or kd5ssf@arrl.net.

[Return to Table of Contents](#)

STATE PUBLIC EVENTS HELP KF5MT

Ed Rico, N5LI, is actively recruiting volunteers for various public service events around the state. This would be a great chance for you to really help out and put your talents to good use. A number of us have volunteered in the past and enjoyed it. Please volunteer if you can and contact Ed via maserabq@earthlink.net or n5li@arrl.net to learn more.

[Return to Table of Contents](#)

INCOME/EXPENSE - JULY 2007
N9OG

INCOME	2007 Budget	2007 Actual YTD
Bean Feed	400.00	380.50
Breakfast & drinks	600.00	398.00
Contributions	535.00	248.00
Dues	2,500.00	1,747.50
Newsletter \$	20.00	0.00
50-50 Prize Raffle	60.00	22.00
Interest Income	0.00	130.16
Equipment Sales	700.00	2254.00
Education	850.00	0.00
Tshirt sales	0.00	0.00
President's Fund		15.06
Total Income		5,195.22
Expenses		
Bank Charge	0.00	0.00
Bean Feed	300.00	202.41
Breakfast	400.00	223.00
Club House	200.00	446.74
Field Day	300.00	0.00
Insurance	1,000.00	0.00
Misc.	150.00	15.60
Newsletter	75.00	63.18
NM Emergency Fee	30.00	0.00
PO Box	50.00	56.54
Postage	0.00	77.40
President's Fund	150.00	15.06
Property Tax	600.00	0.00
Repeater	150.00	0.00
Tax Exempt Fee	10.00	10.00
Utilities		561.78
Electric	450.00	226.09
Propane	400.00	57.78
Telephone	350.00	197.04
Water	150.00	80.87
Education Classes	850.00	110.12

Total Expenses

1,671.71

[Return to Table of Contents](#)

CLUB INFORMATION

The MVRC Clubhouse is located at the intersection of Wilt and Jefferson in Hacienda Heights. To find the clubhouse, set your destination on your GPS receiver as 32 degrees 22.961 minutes and -106 degrees 41.44 minutes. If you don't own a gps, take the Porter exit on US 70. It is about 5 miles from the I 25 interchange, near the firehouse. Almost immediately south of the south frontage road on the south side of US 70, turn left toward the mountains until you come to Wilt. Turn right. There is a jog in the road, but at 0.35 miles you should come to Jefferson. If you can't see the tower and beam, you shouldn't be driving. The treasurer would be delighted to receive your contribution for landscaping and furnishing.



Officers

Office	Name	Call	Phone	e-mail
President	Tres Campbell	KD5HZI	373-2008	trscam@netscape.net
Vice-President	Dennis Shepan	KB5TPV	522-7466	KB5TPV@zianet.com
Secretary	Bob Rossow	KE5ISD	522-7445	fullback@zianet.com
Treasurer	Martin Winkler	N9OG		
Board Members	Alex. Burr	K5XY	522-2528	k5xy@arrl.net
	Bob Bennett	AD5LJ	382-0148	rbennett1@comcast.net
	Henry Schotzko	AD5FE	AD5FE	schotzko@comcast.net
	Jeff Campbell	KE5KLH	526-2868	Jeffrey.campbell-1.nasa.gov
	Tim Linn	KD5SSF	521-0486	KD5SSF@arrl.net
	Brad Sacca	KC5SKE	382-4380	shiekyerbouty@msn.com

The newsletter is always looking for articles and notes of interest to the members of the Mesilla Valley Radio Club. Please send them to Alex. F. Burr, K5XY, Editor, MVRC Local Oscillator, 695 Stone Canyon Drive, Las Cruces, NM 88011. Small personal ads from members will also be published. It would be helpful if submissions would be made in a machine readable form. Windows readable disks are welcome. Files can also be sent to the Internet address k5xy@arrl.net. The club maintains a web site at <http://www.zianet.com/mvrc>.

JOIN THE CLUB

To join the Mesilla Valley Radio Club, renew your membership, or to support the repeaters, please print, cut out, and complete the form below. Send it with dues (\$35 single, \$45 family per year, add \$10 to receive the newsletter by US mail instead of e-mail) to: Treasurer, MVRC, Box 1443, Las Cruces, NM 88004.

Name	
------	--

Box or street address	
City	
State	
Zip	
Call	
Class of license	
Phone	
e-mail	
ARRL Member?	

[Return to home page](#)

[Return to Local Oscillator first page](#)