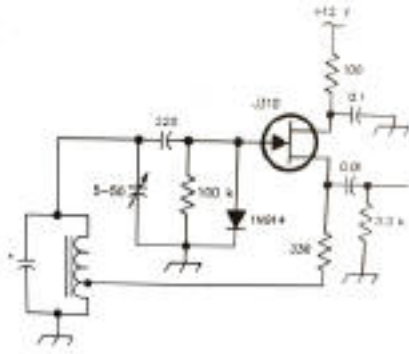
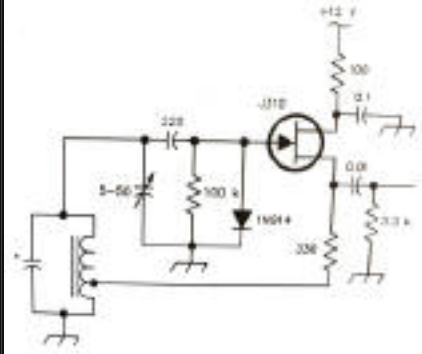


# Local Oscillator



2007

Mesilla Valley Radio Club



August

A [pdf file](#) of this issue is available. It should print fairly easily. If you do not have the free pdf file reader, go to <http://www.adobe.com>

## Coming Events

## Table of Contents

Date	Event	Time
Sun	CW Net 7.142	4:00PM
M - F	6 m FM net 52.540	6:00AM
M - F	round-table 52.525	8:00PM
T, T	Informal Wal-Mart (E)	10:00AM
M, W, F	Informal Wal-Mart (W)	10:00AM
Mon	WTRA Swap net 146.88	8 PM
Wed	Net 146.64	6:45PM
Mon	YL Rise & Shine 449.9	8:30AM
Aug 4	Breakfast - Club House	8 AM
Aug 4	Business meet - Club House	9 AM
Aug 8	Directors meet - Club House	7:00 PM
Aug 17, 18	NM Hamfest Albuquerque	

[COMING EVENTS](#)  
[TABLE OF CONTENTS](#)  
[PRESIDENT'S CORNER](#)  
[HAMFEST](#)  
[CLUB ROSTER](#)  
[FIELD DAY PICTURES](#)  
[BACK PAGE](#)



# Field Day 2007 Planners

The space below is used for acknowledgements and maintaining the site.

Send comments, suggestions, and requests to [Alex. F. Burr](mailto:aburr@qzxservices.com) or send e-mail to [aburr @ qzxservices.com](mailto:aburr@qzxservices.com).

Technical assistance, net access, design, and maintenance provided by [qzxservices.com](http://qzxservices.com)

## THE ARTICLES FOR THIS MONTH

### PRESIDENT'S CORNER

KD5ZHI

Hello all, I hope you all are having a great summer. Not much to report this month as we did not have a meeting in July. Some upcoming things will be discussed. One will be support for the races as they start to become more active this time of year. Another thing is Cash Olsen has some receiver kits he would like to build as an activity. More information will be available during the August meeting. The club has recently been asked to support some official organizations in the near future. At present I am not sure how to respond to them. At one time the club was very active with radio support for those who asked. I am not sure about our ability to support such organizations at this time. I would like to talk briefly about this during the August meeting. Enjoy the rest of the summer and have fun.

[Return to Table of Contents](#)

### 2007 ALBUQUERQUE DUKE CITY HAMFEST

N5ZGT

Hamfest season is certainly upon us here in New Mexico as fall draws near, and I'm contacting you to announce the 2007 Albuquerque Duke City Hamfest, to take place Friday August 17 thru Saturday August 18 in Albuquerque, New Mexico! This year's hamfest also serves as the ARRL New Mexico state convention, and the 2007 ARRL Rocky Mountain Division Convention.

The 2007 Duke City Hamfest will pick up where it left off last year -- offering many great things, including the company of many Hams from across New Mexico and the Rocky Mountain Division, lots of equipment sales, dealers, informative technical and non-technical forums, fun events, VE exams, TONS of prizes and a relaxing dinner banquet with a special guest.

All of the details you and your members would want about this fun event can be found on the 2007 Duke City Hamfest website ([www.DukeCityHamfest.org](http://www.DukeCityHamfest.org)), including schedules, maps, prize information, secure online ticket purchasing, banquet information and more.

[Return to Table of Contents](#)

### CLUB ROSTER

K5XY

The club roster has been put on the Local Oscillator web site. It can be reached from the home page in the archives. It has been posted in the form of a pdf file to make it harder for automatic programs to get addresses and telephone numbers. A big advantage of the pdf

form is that any word can be used as a search term, so it is relatively easy to associate a call and a name. A disadvantage is that it is hard to correct any typographical errors, a few of which have crept in. For example, the call of our president has an O where it should have a D and at least some calls are repeated.

[Return to Table of Contents](#)

## FIELD DAY PICTURES

### K5XY

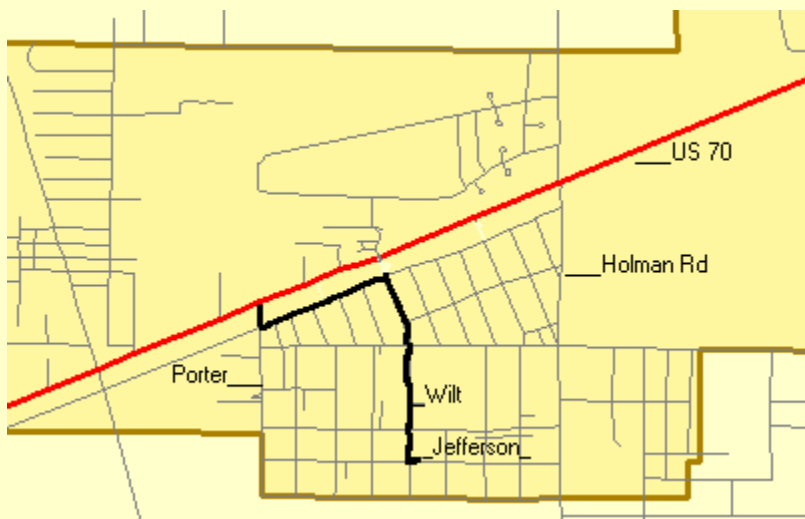
A selection of 2007 Field Day pictures is on the internet. See the home page,

[www.mvrc.qzxservices.com](http://www.mvrc.qzxservices.com).

[Return to Table of Contents](#)

## CLUB INFORMATION

The MVRC Clubhouse is located at the intersection of Wilt and Jefferson in Hacienda Heights. To find the clubhouse, set your destination on your GPS receiver as 32 degrees 22.961 minutes and -106 degrees 41.44 minutes. If you don't own a gps, take the Porter exit on US 70. It is about 5 miles from the I 25 interchange, near the firehouse. Almost immediately south of the south frontage road on the south side of US 70, turn left toward the mountains until you come to Wilt. Turn right. There is a jog in the road, but at 0.35 miles you should come to Jefferson. If you can't see the tower and beam, you shouldn't be driving. The treasurer would be delighted to receive your contribution for landscaping and furnishing.



## Officers

Office	Name	Call	Phone	e-mail
President	Tres Campbell	KD5HZI	373-2008	<a href="mailto:trscam@netscape.net">trscam@netscape.net</a>
Vice-President	Dennis Shepan	KB5TPV	522-7466	<a href="mailto:KB5TPV@zianet.com">KB5TPV@zianet.com</a>
Secretary	Bob Rossow	KE5ISD	522-7445	<a href="mailto:fullback@zianet.com">fullback@zianet.com</a>
Treasurer	Martin Winkler	N9OG		
Board Members	Alex. Burr	K5XY	522-2528	<a href="mailto:k5xy@arrl.net">k5xy@arrl.net</a>
	Bob Bennett	AD5LJ	382-0148	<a href="mailto:rbpennett1@comcast.net">rbpennett1@comcast.net</a>
	Henry Schotzko	AD5FE	AD5FE	<a href="mailto:schotzko@comcast.net">schotzko@comcast.net</a>
	Jeff Campbell	KE5KLH	526-2868	<a href="mailto:Jeffrey.campbell-1.nasa.gov">Jeffrey.campbell-1.nasa.gov</a>
	Tim Linn	KD5SSF	521-0486	<a href="mailto:KD5SSF@arrl.net">KD5SSF@arrl.net</a>
	Brad Sacca	KC5SKE	382-4380	<a href="mailto:shiekyerbouty@msn.com">shiekyerbouty@msn.com</a>

The newsletter is always looking for articles and notes of interest to the members of the Mesilla Valley Radio Club. Please send them to Alex. F. Burr, K5XY, Editor, MVRC Local Oscillator, 695 Stone Canyon Drive, Las Cruces, NM 88011. Small personal ads from members will also be published. It would be helpful if submissions would be made in a machine readable form. Windows readable disks are welcome. Files can also be sent to the Internet address [k5xy@arrl.net](mailto:k5xy@arrl.net). The club maintains a web site at <http://www.zianet.com/mvrc>.

### JOIN THE CLUB

To join the Mesilla Valley Radio Club, renew your membership, or to support the repeaters, please print, cut out, and complete the form below. Send it with dues (\$35 single, \$45 family per year, add \$10 to receive the newsletter by US mail instead of e-mail) to: Treasurer, MVRC, Box 1443, Las Cruces, NM 88004.

Name	
------	--

Box or street address	
City	
State	
Zip	
Call	
Class of license	
Phone	
e-mail	
ARRL Member?	

[Return to home page](#)

[Return to Local Oscillator first page](#)