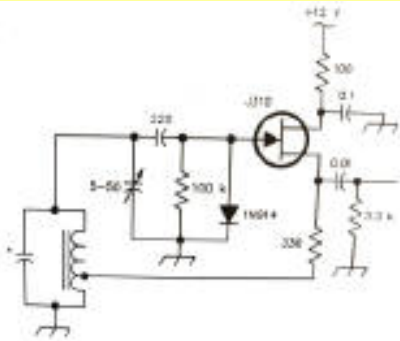
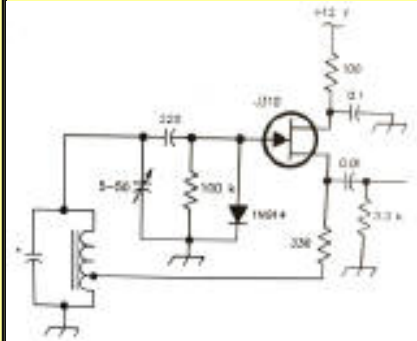


Local Oscillator



2007

Mesilla Valley Radio Club



July

A [pdf file](#) of this issue is available. It should print fairly easily. If you do not have the free pdf file reader, go to <http://www.adobe.com>

Coming Events

Table of Contents

Date	Event	Time
Sun	CW Net 7.142	4:00PM
M - F	6 m FM net 52.540	6:00AM
M - F	round-table 52.525	8:00PM
T, T	Informal Wal-Mart (E)	10:00AM
M, W, F	Informal Wal-Mart (W)	10:00AM
Mon	WTRA Swap net 146.88	8 PM
Wed	Net 146.64	6:45PM
Mon	YL Rise & Shine 449.9	8:30AM
July 7	NO Breakfast - Club House	8 AM
July 7	NO Business meet	9 AM
July 11	NO Directors meet	7:00 PM
July 12	SKYWARN training, see below	

COMING EVENTS
 TABLE OF CONTENTS
[PRESIDENT'S CORNER](#)
[FIELD DAY](#)
[NDMS CASUALTY EXERCISE](#)
[COMMUNICATION EVENTS](#)
[FIELD DAY PICTURES](#)
[INCOME/EXPENSES](#)
[BACK PAGE](#)



Field Day 2007

The space below is used for acknowledgements and maintaining the site.

Send comments, suggestions, and requests to [Alex. F. Burr](mailto:aburr@qzxservices.com) or send e-mail to aburr@qzxservices.com.

Technical assistance, net access, design, and maintenance provided by qzxservices.com

THE ARTICLES FOR THIS MONTH

PRESIDENT'S CORNER

KD5ZHI

Hello all- We have just completed another successful field day June 23rd and 24th at the corner of Don Rosier and Missouri. I want to thank our communications director Henry AD5FE for coordinating the event. He had three people that donated there RV for the weekend Dave Hassle, John Beakly and Dave Glasscock. Thanks to all of those people that helped, Dave Hassle with antennas, tower, poles, radios, and where ever needed. All of the operators, loggers. Lunch from Jack Lemons. Dinner from our special events director Jeff Campbell for the brisket dinner. And the many others that were there for what ever needed to be done. Charlie Welch for the unique 1938 single cylinder motor for the generator. Without all of the help we would not have had a fun and successful weekend. Again thanks to all.

Just a reminder that we are not going to have a July business or board meeting. Our next meeting will be in August on the 4th.

[Return to Table of Contents](#)

FIELD DAY

AD5FE

Well another Field Day has come and gone. The club stations were set up on the South East corner of Don Roser and Missouri. We set up three stations this year, and although the bands were not the best, what do you expect for the bottom of the sunspot cycle. We did manage to make a few contacts.

The stations we set up this year were an SSB station, a PSK31 station and the GOTA/VHF station. The SSB station, which was set up in David Hassall's (WA5DJJ) travel trailer, had the best luck, but with David as the driving force behind it I would expect nothing less, he sure knows how to make the contacts. Thanks David, for all your help and advice on this year's event.

The PSK station had some early startup problems with a faulty interface, but once this was replaced we had a good time trying to make contacts on the erratic bands. Despite the low contact count on PSK it was the coolest place to be on site, having the best running A/C in David Glasscock's (W7DZG) motor home, who volunteered the use of his house on wheels when Richard Johnson (KC5EVR) was called out of town.

The GOTA/VHF station was setup in John Beakley's (WK5C) 5th wheel trailer. Thanks John for the use of your trailer, and a nice one it is too.

A good time was had by those who attended, and if you missed it you missed the chance for some good

conversation and maybe the chance to try out a new operating mode. Just ask David Glasscock who got the chance to try PSK and loved it, and Alex Burr (K5XY) who also got to try his hand at some PSK31. I'm sure I'm not mentioning every one, but since I spent most of my time in the digital station, those two come to mind. We had 20 operators and loggers who signed in and help out this field day, I thank you for taking time out of your busy schedules to come and participate.

We got to see some interesting antennas, eat some good food, and make some new friends. Let us not forget the wind Saturday night. everything stayed standing but the main Field Day sign was shredded. It was also hot. I think we set a new record for the amount of water drank, but at least we didn't have any thunderstorms this year.

As mentioned, the propagation was not good. But it is worth noting that 15 m had been dead all week, but as soon as Field Day started signals appeared. The band went dead promptly at noon Sunday too.

[Return to Table of Contents](#)

NDMS MASS CASUALTY EXERCISE AD5FE

On June 13 we had the chance to participate in a mass evacuation exercise, simulating what would happen if there was a bad hurricane on the gulf coast. This was to practice the handling of evacuees brought here from out side the area.

In this case the patients started at Club Fusion, and were sent to the area hospitals, as if they were being brought here from elsewhere. Our part (MVRC) was to provide backup communications from the staging area (Club Fusion) the EOC (Emergence Operations Center) at the OEM (office of emergence management) and one of the area hospitals. In this case, it was MMC (Memorial Medical Center).

Rod Davis WK5I and Judy Davis W5JRD handled comm duties at Club Fusion, David Hassall WA5DJJ and Perry Steinman KC7VHS were on duty at MMC and John Beakley WK5C and Jack Lemons N5PK handled the traffic at the EOC. Henry Schotzko AD5FE served as the team leader located at the EOC. Our part of the exercise started at 09:00 and was completed before 12 noon.

[Return to Table of Contents](#)

COMMUNICATION EVENTS AD5FE

Our next race support is in August, as the two events that happen in July do not require our support. Also please do not forget the SKYWARN/ Storm Spotter training class that takes place Thursday July 12th from 18:00 to 21:00 in the county EOC on the corner of Solano and Spruce. If you would like more information, please feel free to contact Henry Schotzko (AD5FE) at (505) 526-1922.

[Return to Table of Contents](#)

FIELD DAY PICTURES

K5XY

A selection of Field Day pictures will be on the internet, hopefully before you read this. By the end of June for sure. See the home page, www.mvrc.qzxservices.com.

[Return to Table of Contents](#)

MAY INCOME/EXPENSE

INCOME	2007 Budget	2007 Actual YTD
Bean Feed	400.00	380.50
Breakfast & drinks	600.00	343.00
Contributions	535.00	247.00
Dues	2,500.00	1,597.50
Newsletter \$	20.00	0.00
50-50 Prize Raffle	60.00	22.00
Interest Income	0.00	130.16
Equipment Sales	700.00	2,214.00
Education	850.00	0.00
Tshirt sales	0.00	0.00
Total Income		4,934.16
Expenses		
Bank Charge	0.00	0.00
Bean Feed	300.00	150.46
Breakfast	400.00	223.00
Club House	200.00	446.74
Field Day	300.00	0.00
Insurance	1,000.00	0.00
Misc.	150.00	0.00
Newsletter	75.00	50.96
NM Emergency Fee	30.00	0.00
PO Box	50.00	0.00
Postage	0.00	37.80
President's Fund	150.00	15.06
Property Tax	600.00	0.00
Repeater	150.00	0.00

Tax Exempt Fee	10.00	10.00
Utilities		401.15
Electric	450.00	157.18
Propane	400.00	57.78
Telephone	350.00	128.66
Water	150.00	57.53
Education Classes	850.00	110.12
Total Expenses		1,335.17

Martin Winkler
Treasurer

[Return to Table of Contents](#)

CLUB INFORMATION

The MVRC Clubhouse is located at the intersection of Wilt and Jefferson in Hacienda Heights. To find the clubhouse, set your destination on your GPS receiver as 32 degrees 22.961 minutes and -106 degrees 41.44 minutes. If you don't own a gps, take the Porter exit on US 70. It is about 5 miles from the I 25 interchange, near the firehouse. Almost immediately south of the south frontage road on the south side of US 70, turn left toward the mountains until you come to Wilt. Turn right. There is a jog in the road, but at 0.35 miles you should come to Jefferson. If you can't see the tower and beam, you shouldn't be driving. The treasurer would be delighted to receive your contribution for landscaping and furnishing.



Officers

Office	Name	Call	Phone	e-mail
President	Tres Campbell	KD5HZI	373-2008	trscam@netscape.net
Vice-President	Dennis Shepan	KB5TPV	522-7466	KB5TPV@zianet.com
Secretary	Bob Rossow	KE5ISD	522-7445	fullback@zianet.com
Treasurer	Martin Winkler	N9OG		winklma@comcast.net
Board Members	Alex. Burr	K5XY	522-2528	k5xy@arrl.net
	Bob Bennett	AD5LJ	382-0148	rbennett1@comcast.net
	Henry Schotzko	AD5FE	AD5FE	schotzko@comcast.net
	Jeff Campbell	KE5KLH	526-2868	Jeffrey.campbell-1.nasa.gov
	Tim Linn	KD5SSF	521-0486	KD5SSF@arrl.net
	Brad Sacca	KC5SKE	382-4380	shiekyerbouty@msn.com

The newsletter is always looking for articles and notes of interest to the members of the Mesilla Valley Radio Club. Please send them to Alex. F. Burr, K5XY, Editor, MVRC Local Oscillator, 695 Stone Canyon Drive, Las Cruces, NM 88011. Small personal ads from members will also be published. It would be helpful if submissions would be made in a machine readable form. Windows readable disks are welcome. Files can also be sent to the Internet address k5xy@arrl.net. The club maintains a web site at <http://www.zianet.com/mvrc>.

JOIN THE CLUB

To join the Mesilla Valley Radio Club, renew your membership, or to support the repeaters, please print, cut out, and complete the form below. Send it with dues (\$35 single, \$45 family per year, add \$10 to receive the newsletter by US mail instead of e-mail) to: Treasurer, MVRC, Box 1443, Las Cruces, NM 88004.

Name	
------	--

Box or street address	
City	
State	
Zip	
Call	
Class of license	
Phone	
e-mail	
ARRL Member?	

[Return to home page](#)

[Return to Local Oscillator first page](#)