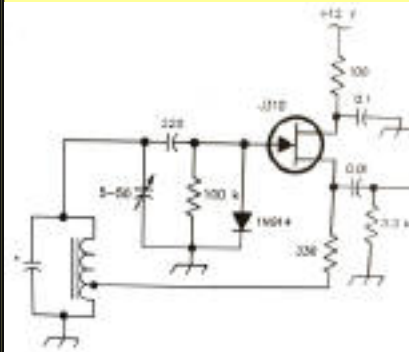


2007

# Local Oscillator



May

Mesilla Valley Radio Club

A [pdf file](#) of this issue is available. It should print fairly easily. If you do not have the free pdf file reader, go to <http://www.adobe.com>

## Coming Events

## Table of Contents

Date	Event	Time
Sun	CW Net 7.142	4:00PM
M - F	6 m FM net 52.540	6:00AM
M - F	round-table 52.525	8:00PM
T, T	Informal Wal-Mart (E)	10:00AM
M, W, F	Informal Wal-Mart (W)	10:00AM
Mon	WTRA Swap net 146.88	8 PM
Wed	Net 146.64	6:45PM
Mon	YL Rise & Shine 449.9	8:30AM
June 2	Breakfast - Club House	8 AM
June 2	Business meet - Club House	9 AM
June 11	Directors meet - Club House	7:00 PM
June 13	NM Health Comm Event	
June 23-24	FIELD DAY	

COMING EVENTS  
 TABLE OF CONTENTS  
[PRESIDENT'S CORNER](#)  
[JUNE PROGRAM](#)  
[FIELD DAY](#)  
[PHONE FIELD DAY](#)  
[JUNE COMM EVENT](#)  
[BEAN FEED PICTURES](#)  
[INCOME/EXPENSES](#)  
[BACK PAGE](#)



# BEANS at the BEANFEED

The space below is used for acknowledgements and maintaining the site.

Send comments, suggestions, and requests to [Alex. F. Burr](mailto:aburr@qzxservices.com) or send e-mail to aburr @ qzxservices.com.

Technical assistance, net access, design, and maintenance provided by [qzxservices.com](http://qzxservices.com)

## THE ARTICLES FOR THIS MONTH

### PRESIDENT'S CORNER

KD5ZHI

Hello all- The 2007 41st bean feed was a huge success. As in years past the rain did not dampen sprits or fellowship. We had a great turn out, the meal tickets were the same as last year and the club sales from donations was very good. Daryl from Southwest Antenna said his sales were very good for him as well. He and Toni said they really enjoyed the event, talking to folks and the food. They also wrote the club a thank you letter and wanted to make sure about next year. I want to thank everyone evolved that worked, spoke, demonstrated, VE'ed and just plain attended. I am looking forward to next year's bean feed. On another note the ARRL field day is fast approaching. Henry Schotzko AD5FE our communications director will be coordinating this for the club. He will be needing operators and help with this. Please contact him if you can help.

We will try a new meeting format for a few months. We will still start at 9:00am but will have the speaker start first. The regular business meeting will be conducted afterwards at 9:45. Thanks for your support and I am looking forward to a nice summer.

[Return to Table of Contents](#)

### JUNE PROGRAM

I assume that there will be one.

[Return to Table of Contents](#)

### FIELD DAY

AD5FE

Field Day is always a busy and interesting activity. It is also a good time to get others interested in the hobby. It will be held as usual on the last full weekend in June, June 23 - 24.

At this time we are planning on setting up at the same location as last year, at the corner of Missouri and Don Roser in Binns open field with the added attraction of some used cars. It is a good prominent location. One year it even attracted a ham who was travelling through on I 25.

We plan to set up three stations, a CW station, a SSB station, and a GOTA (Get on the air)/ VHF/UHF station. The two HF stations will use inverted-V antennas; the VHF station will use a 6 MTR and a 2 MTR beam as well as VHF/UHF verticals. The reason we

decided to not put up all the other beam antennas is that we had better luck with inverted-v antennas last year. We could not put the HF beams up high enough off the ground for them to perform properly. David Hassall WA5DJJ will be in charge of the SSB station. If you would like to help him he can be contacted by E-Mail at [dhassell@zianet.com](mailto:dhassell@zianet.com) or on the phone after June 1st. at (505) 532-1351. He gives more details in the following article. Richard Johnson, KC5EVR, will be the sponsor of the CW station. If you would like to help with that station, don't hesitate to get in touch with him. The GOTA station will be run by our club president Tres Campbell KD5ZHI.

[Return to Table of Contents](#)

## PHONE FIELD DAY

### WA5DJJ

WA5DJJ is sponsoring the Phone station for field day. I need Operators and Loggers to do the 24 hour operation. No experience necessary. All that is required is that you want to do it and are alive and breathing. Instant training will be available at the site. Operations will start at noon on June 24th and run until noon on June 25th. Radios and logging computer are provided along with a cool environment with bathroom. Bring your own snacks, drinks, and other necessities.

Please contact me after June 1st with your desired operation position and time slot. I would like to have 12 operators and 12 loggers which would give everyone a two hour operational period. If you want more than one shift, you will not be turned away. I may need a couple of folks for setup and tear down as part of our crew. Get yourselves ready to have a great time. Hope to see you all there. You can contact me on email at [dhassall@zianet.com](mailto:dhassall@zianet.com) or phone me at 505-532-1351 after June 1st.

DE Dave Hassall WA5DJJ

[Return to Table of Contents](#)

## JUNE COMM EVENT

### AD5FE

The first comm is a New Mexico Health Comm Exercise on June 13th. The comm exercise simulates a mass casualty event with patients being brought here from outside the area, much like a large hurricane on the gulf coast. This exercise will need from three

to five two person teams, to locate at OEM, Club Fusion the staging place for our part, and the local hospitals. It has not been determined how many hospitals we will man at this time. At least one hospital for sure and maybe all three, MMC, MVHC, MVH. I'm trying to get the details worked out as this is being written.

[Return to Table of Contents](#)

## BEAN FEED PICTURES

### K5XY

A selection of bean feed pictures will be on the internet, hopefully before you read this. By the end of May for sure. See the home page, [www.mvrc.qzxservices.com](http://www.mvrc.qzxservices.com).

[Return to Table of Contents](#)

## APRIL INCOME/EXPENSE

<b>INCOME</b>	<b>2007 Budget</b>	<b>2007 Actual YTD</b>
Bean Feed	400.00	380.50
Breakfast & drinks	600.00	274.00
Contributions	535.00	247.00
Dues	2,500.00	1,430.00
Newsletter \$	20.00	0.00
50-50 Prize	60.00	0.00
Interest Income	0.00	0.00
Equipment Sales	700.00	2,052.00
Education	850.00	0.00
Tshirt sales	0.00	0.00
<b>Total Income</b>		<b>4,383.50</b>
<b>Expenses</b>		
Bank Charge	0.00	0.00
Bean Feed	300.00	123.64
Breakfast	400.00	182.30
Club House	200.00	446.74
Field Day	300.00	0.00
Insurance	1,000.00	0.00

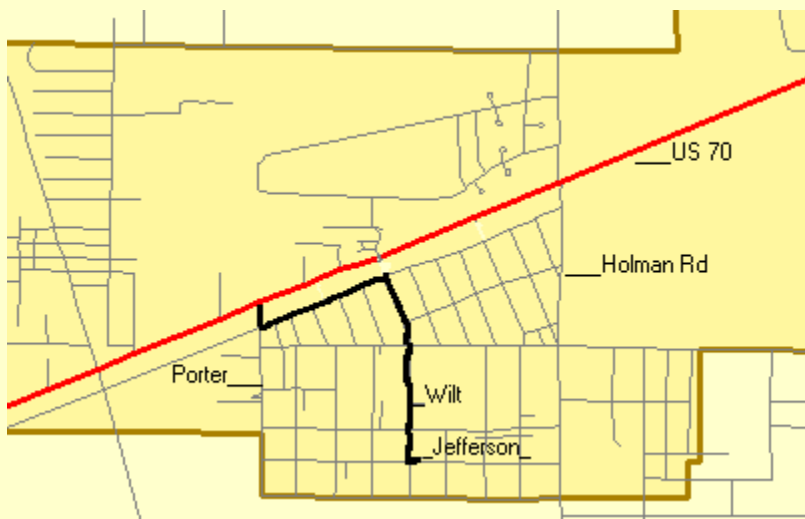
Misc.	150.00	0.00
Newsletter	75.00	43.99
NM Emergency Fee	30.00	0.00
PO Box	50.00	0.00
Postage	0.00	37.80
President's Fund	150.00	15.06
Property Tax	600.00	0.00
Repeater	150.00	0.00
Tax Exempt Fee	10.00	10.00
Utilities		289.14
Electric	450.00	104.86
Propane	400.00	38.50
Telephone	350.00	99.82
Water	150.00	45.96
Education Classes	850.00	110.12
<b>Total Expenses</b>		<b>1,148.67</b>

Martin Winkler  
Treasurer

[Return to Table of Contents](#)

## CLUB INFORMATION

The MVRC Clubhouse is located at the intersection of Wilt and Jefferson in Hacienda Heights. To find the clubhouse, set your destination on your GPS receiver as 32 degrees 22.961 minutes and -106 degrees 41.44 minutes. If you don't own a gps, take the Porter exit on US 70. It is about 5 miles from the I 25 interchange, near the firehouse. Almost immediately south of the south frontage road on the south side of US 70, turn left toward the mountains until you come to Wilt. Turn right. There is a jog in the road, but at 0.35 miles you should come to Jefferson. If you can't see the tower and beam, you shouldn't be driving. The treasurer would be delighted to receive your contribution for landscaping and furnishing.



## Officers

Office	Name	Call	Phone	e-mail
President	Tres Campbell	KD5HZI	373-2008	<a href="mailto:trscam@netscape.net">trscam@netscape.net</a>
Vice-President	Dennis Shepan	KB5TPV	522-7466	<a href="mailto:KB5TPV@zianet.com">KB5TPV@zianet.com</a>
Secretary	Bob Rossow	KE5ISD	522-7445	<a href="mailto:fullback@zianet.com">fullback@zianet.com</a>
Treasurer	Martin Winkler	N9OG		<a href="mailto:winklma@comcast.net">winklma@comcast.net</a>
Board Members	Alex. Burr	K5XY	522-2528	<a href="mailto:k5xy@arrl.net">k5xy@arrl.net</a>
	Bob Bennett	AD5LJ	382-0148	<a href="mailto:rbennett1@comcast.net">rbennett1@comcast.net</a>
	Henry Schotzko	AD5FE	AD5FE	<a href="mailto:schotzko@comcast.net">schotzko@comcast.net</a>
	Jeff Campbell	KE5KLH	526-2868	<a href="mailto:Jeffrey.campbell-1.nasa.gov">Jeffrey.campbell-1.nasa.gov</a>
	Tim Linn	KD5SSF	521-0486	<a href="mailto:KD5SSF@arrl.net">KD5SSF@arrl.net</a>
	Brad Sacca	KC5SKE	382-4380	<a href="mailto:shiekyerbouty@msn.com">shiekyerbouty@msn.com</a>

The newsletter is always looking for articles and notes of interest to the members of the Mesilla Valley Radio Club. Please send them to Alex. F. Burr, K5XY, Editor, MVRC Local Oscillator, 695 Stone Canyon Drive, Las Cruces, NM 88011. Small personal ads from members will also be published. It would be helpful if submissions would be made in a machine readable form. Windows readable disks are welcome. Files can also be sent to the Internet address [k5xy@arrl.net](mailto:k5xy@arrl.net). The club maintains a web site at <http://www.zianet.com/mvrc>.

### JOIN THE CLUB

To join the Mesilla Valley Radio Club, renew your membership, or to support the repeaters, please print, cut out, and complete the form below. Send it with dues (\$35 single, \$45 family per year, add \$10 to receive the newsletter by US mail instead of e-mail) to: Treasurer, MVRC, Box 1443, Las Cruces, NM 88004.

Name	
------	--



Box or street address	
City	
State	
Zip	
Call	
Class of license	
Phone	
e-mail	
ARRL Member?	

[Return to home page](#)

[Return to Local Oscillator first page](#)