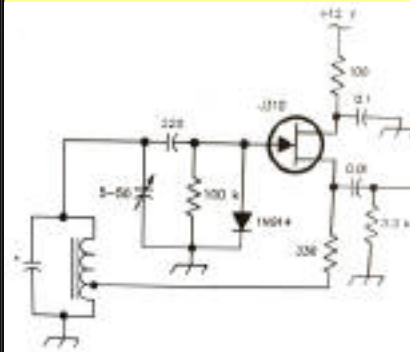


2007

Local Oscillator



May

Mesilla Valley Radio Club

A [pdf file](#) of this issue is available. It should print fairly easily. If you do not have the free pdf file reader, go to <http://www.adobe.com>

Coming Events

Table of Contents

Date	Event	Time	
Sun	CW Net 7.142	4:00PM	COMING EVENTS
M - F	6 m FM net 52.540	6:00AM	TABLE OF CONTENTS
M - F	round-table 52.525	8:00PM	PRESIDENT'S CORNER
T, T	Informal Wal-Mart (E)	10:00AM	MAY PROGRAM
M, W, F	Informal Wal-Mart (W)	10:00AM	DUES
Mon	WTRA Swap net 146.88	8 PM	BATAAN MEMORIAL MARCH
Wed	Net 146.64	6:45PM	MVTC TRIATHLON
Mon	YL Rise & Shine 449.9	8:30AM	MINUTES MONTHLY MEETING
Apr 29	Bean Feed		MINUTES MONTHLY BOARD MEETING
May 5	Breakfast - Club House	8 AM	INCOME/EXPENSES
May 5	Business meet - Club House	9 AM	BACK PAGE
May 9	Directors meeting - Club House	7:00 PM	



BEANFEED TALK-IN for beanfeed details

click [here](#)

The space below is used for acknowledgements and maintaining the site.
Send comments, suggestions, and requests to [Alex. F. Burr](#) or send e-mail to [aburr @ qzxservices.com](mailto:aburr@qzxservices.com).
Technical assistance, net access, design, and maintenance provided by qzxservices.com

THE ARTICLES FOR THIS MONTH

PRESIDENT'S CORNER

KD5ZHI

Hello All, As I write this article your board and many others are actively working on the bean feed for this year. As everyone knows there is a lot of work that goes into this. I am sure we will have another successful year. This 41st bean feed will be held at the club house on Sunday April 29th. This is on the weekend, so gather up yourself and stuff and come to visit. On another note, summer is fast approaching. I have had several requests for a club picnic in a park. I think this is a great idea. I would think if we did this before it got too hot, we could show off some of our mobile work, either field, car, bike or backpack. If everyone brought a dish, we could sample some of the best local cooking the southwest has to offer. Let me know what you think. Have fun all and see you soon.

[Return to Table of Contents](#)

MAY PROGRAM

KB5TPV

Following the May business meeting, Richard Johnson(KC5EVR) will give a presentation on mobile VHF operations from a bicycle. He is experienced at this and it sounds like it will be an interesting presentation. Anyone who has a presentation that they would like to give should feel free to contact me by email at kb5tpv@zianet.com to make arrangements for an upcoming meeting. Also any ideas for speakers or topics that you would like to hear would also be welcomed.

[Return to Table of Contents](#)

DUES

N9GO

Only 41 members have paid dues this year so far. Please send them in ASAP as April 1 (no fooling) is the delinquent date.

[Return to Table of Contents](#)

BATAAN MEMORIAL MARCH

AD5FE

On Sunday March 25, 2007, 3999 participants took to the desert of southern White Sands Missile Range for the 18th Annual Bataan Memorial Death March. This is to commemorate the forced march of captured

U.S. and Philippine troops in the Philippines 65 years ago. This year the MVRC supported with 24

radio operators stationed around the course. The event was supported by George Kopp KD5OHA who handled net control, Tres Campbell KD5ZHI, Chris Campbell KE5LET who did the start of the event then moved to water point 12, Rod Davis WK5I, Judy Davis W5JRD who were at water point 1, Val Woolsey KD5ZGY, Steve Friis WM5Z at water point 2, Dennis Shepan KB5TPV, Tony McGarvey KU5P at water point 2A, Sandy Hempling KJ5Q, John Hempling N5WQ at water point 3/9, Richard Johnson KC5EVR, Charlotte Johnson KC5KWI at water point 4/8, Henry Schotzko AD5FE at water point 5, Dave Hassall WA5DJJ, J.O. Hughes KE5ALO at water point 6, Dave Glasscock W7DZG at water point 7, Brad Sacca KC5SKE, Bill Hall KE5DGE at water point 10, Karl Larsen K5DI, David Baron KE5LET at water point 11, and two new positions this year, Chad Kinser KF4ESM at the sand pit #1, and Perry Steinman KC7VHS at the sand pit #2. I am very grateful for their support and help in making this one of the smoothest events held to date. At the "After Action Review" every one remarked at how smooth the event went this year, and this is due to the hard work contributed by all the volunteers. There were two courses this year a 15.2 mile "honorary course" and the 26.2 mile "Full course". The first contestant to cross the finish line in the full course did the 26.2 miles in 3hrs. 16 min. 43sec. not bad for a 53 yr. old man, and the last contestant (a single amputee) coming in with a time of 13 hrs. 32 min. 14 sec. This made for a long day for some of our support people.

[Return to Table of Contents](#)

MVTC TRIATHLON AD5FE

On April 1, 2007 the MVRC supported the annual Triathlon put on by the Mesilla Track Club. The radio club supported the first two events of the three event race, the 5K run, and the 25K bike ride, with no support needed for the swimming portion of the Triathlon. The 5K run used the first part of the bike course, with the participants going out and back then transitioning to their bikes for the 25K ride. The event was supported by George Kopp at the start/finish line, with Bob Bennett AD5LJ, Cash Olsen KD5SSJ, Richard Johnson KC5EVR, with Rod Davis WK5I and Judy Davis W5JRD at the turn-around for the 5K run covering both the run and bike ride. They were joined for support of the 25K bike ride portion of the Triathlon by Jack Lemons N5PK, Dave Glasscock W7DZG, Dave Hassall WA5DJJ, Henry Schotzko AD5FE, Dennis Shepan KB5TPV, with Sandy Hempling KJ5Q and John Hempling N5WQ at the turn-around for the bike ride. The event went off without a hitch. There were no medical calls, and only one bike rider took a wrong turn. The bike rider was caught and turned around having turned left instead of right at one intersection and finished the race after only covering a little extra distance. The only other incident was a bike rider who had a flat, and asked for a replacement tube to be brought out to him so he could finish the event. The replacement tube was brought out to him by another rider, and he changed his flat and completed the ride.

[Return to Table of Contents](#)

MINUTES MONTHLY MEETING 7 APRIL 2007 KE5ISD

President Tres Campbell (KD5ZHI) called the MVRC regular business meeting to order at 0907, Saturday, 7 April 2007. Visitors were welcomed and members introduced themselves.

Chris Kopp spoke to say thank you for the scholarship he receive from the club.

Marty Winkler (N9OG) Treasurer - Presented the Treasurer's Report which was approved as written.

Bob Rossow (KE5ISD) Secretary - Read the minutes of the March Business Meeting which were approved as amended.

Tres Campbell (KD5ZHI) said that some additional servers and kitchen help would be helpful. Also, a commercial vendor would provide barricades for parking. The rough schedule is for set-up to start about 0700, start at 0800, eat at 1100, and the VE session about 1300 after lunch.

Tres also said that a 570 radio has been donated to the club. A motion was made to keep the 570 for the club to replace the club's 440 which was approved by the membership. A subsequent motion was made to sell the 440 at the bean feed was also made which was approved also.

Tim Linn (KD5SSF) announced that the General class was very successful and everyone who took the class passed. Two individuals who showed to take the exam only, however, did not.

Bob Bennett (AD5LJ) announced that a clean-up day was held last Saturday, 31 March 2007, and that the back was cleaned up so one could walk from the parking area to the club house easily. He particularly thanked bob Deal for bringing his tractor down again to help remove the piles of cactus. He also asked for volunteers to come to the club house about 0800 next Saturday, 14 April 2007, to help burn grass.

Bob also added that the storage shed would not be refilled following the bean feed because the building needs to be thoroughly inspected to see whether it can be salvaged. He added that volunteers would be appreciated to store unsold items.

Henry Schotzko (AD5FE) said that the support of the Bataan Death March went very smoothly. He also called for volunteers to support a horse race north of T or C on Saturday 21 April. Volunteers would need to arrive the night before at the Springtime Campground as the race begins at 0400.

The meeting was adjourned at 0951 and was followed by a presentation about Search and Rescue operations by Bob Rossow (KE5ISD).

[Return to Table of Contents](#)

MINUTES MONTHLY BOARD MEETING 11 APRIL 2007 KE5ISD

ATTENDEES:

Tres Campbell KD5ZHI President
Dennis Shepan KB5TPV Vice President
Marty Winkler W9OG Treasurer
Bob Rossow KE5ISD Secretary
Henry Schotzko AD5FE Communications
Jeff Campbell KE5KLH
Bob Bennett AD5LJ
Brad Sacca KC5SKE
Alex Burr K5XY

President Tres Campbell convened the meeting at 1902.

1. Tres raised the question of having Elmering sessions for the new Generals who passed their examination last month.
2. Bob Bennett reported that several housekeeping chores needed to be attended to prior to the Bean Feed including, turning off the heat in the Club House, raking up dead stuff, and burning the brush.
3. Marty Winkler said the Club needed to get delinquent dues in to support up coming expenses including property taxes.
4. Tres said he would be getting the Search and Rescue information form completed and sent in.
5. The new weekly Megalink drills were discussed. They are held at 0900 on Fridays centered in the Emergency Operations Center (OEM) on Solano. At present they are calling individual stations in alphabetical order. Being new, it is a work in process.
6. Discussions regarding getting the 400 back on line resulted in agreement to wait until after the Bean Feed to do that.
7. Jeff Campbell reported on final Bean Feed issues.

Tres Campbell adjourned the meeting at 2033.

[Return to Table of Contents](#)

MARCH INCOME/EXPENSE N9GO

Income 457.00

Expense 150.30

Details

[Return to Table of Contents](#)

Mesilla Valley Radio Club 2007 Bean Feed - Ham Fest

Sunday April 29th 2007

MVRC Club House 6609 Jefferson Las Cruces NM

Admission is free - including tailgating

**Food is available (Beans) for \$5.00 and includes a coffee
mug**

**Commercial Radio Venders are scheduled/APRS forum/VE
session**

**The MVRC Clubhouse is located at the intersection of Wilt and Jefferson in
Hacienda Heights. This is East of Las Cruces. Take the Porter exit on US 70. It is
about 5 miles from the I 25 interchange, near the firehouse. Almost immediately
south of the south frontage road on the south side of US 70, turn left toward the
mountains on Cortez until you come to Wilt. Turn right. There is a jog in the road,
but at 0.35 miles you should come to Jefferson. Look for the tower and beam. Parking
is across the street. Tailgating is in the club parking lot.**

Talk in frequency 146.640

**PL is turned on as needed. You will need a sub audible tone (100.0 Hz) in
order to access the 146.04/146.64 repeater**

7:00 AM Set up and selling (in the parking lot)

11:30 AM Food is served (in the dining room)

12:30 PM APRS demonstration / Q&A (in the radio room)

1:00 PM VE Session (in the dining room)

For more information contact-

Tres Campbell KD5ZHI (Club President)(373-2008)

Jeff Campbell KE5KLH (Special events coordinator)(526-2868)

WWW.ZIANET.COM/MVRC

[Return to Table of Contents](#)

Mesilla Valley Radio Club

Income/Expense

Mar 01 to Mar31 2007

Beginning Balances, 2/28/2007		\$
MVRC Checking Account		2964.64
MVRC Savings Account		0.00
MVRC 1 year CD		5000.00
Education Fund Account		2341.65
Cash on hand		50.00
Balances Total		10356.29
INCOME		
Breakfast & Drinks		77.00
Dues		175.00
Contributions		205.00
TOTAL INCOME		457.00
Balances + Income		10813.29
EXPENSES		
Club House weeds		12.83
Newsletter		4.80
Breakfast Groceries		35.36
President's Fund		15.06
Utilities		
Electric(2 months)		28.36
Propane (Cash Olsen donated)		0.00
Telephone (2 months)		42.46
water		11.44
TOTAL EXPENSES		150.31
Balances on hand Jan. 31, 2006		10662.98
	31-Mar-07	
Bank Accounts		
MVRC Checking Account		3266.33
MVRC Savings Account		0.00
MVRC 1 year CD		5000.00
Education Fund Account		2346.65
Cash on hand		50.00
TOTAL		10662.98

Martin Winkler, Treasurer

Return to body of [Local Oscillator](#)

CLUB INFORMATION

The MVRC Clubhouse is located at the intersection of Wilt and Jefferson in Hacienda Heights. To find the clubhouse, set your destination on your GPS receiver as 32 degrees 22.961 minutes and -106 degrees 41.44 minutes. If you don't own a gps, take the Porter exit on US 70. It is about 5 miles from the I 25 interchange, near the firehouse. Almost immediately south of the south frontage road on the south side of US 70, turn left toward the mountains until you come to Wilt. Turn right. There is a jog in the road, but at 0.35 miles you should come to Jefferson. If you can't see the tower and beam, you shouldn't be driving. The treasurer would be delighted to receive your contribution for landscaping and furnishing.



Officers

Office	Name	Call	Phone	e-mail
President	Tres Campbell	KD5HZI	373-2008	trscam@netscape.net
Vice-President	Dennis Shepan	KB5TPV	522-7466	KB5TPV@zianet.com
Secretary	Bob Rossow	KE5ISD	522-7445	fullback@zianet.com
Treasurer	Martin Winkler	N9OG		winklma@comcast.net
Board Members	Alex. Burr	K5XY	522-2528	k5xy@arrl.net
	Bob Bennett	AD5LJ	382-0148	rbennett1@comcast.net
	Henry Schotzko	AD5FE	AD5FE	schotzko@comcast.net
	Jeff Campbell	KE5KLH	526-2868	Jeffrey.campbell-1.nasa.gov
	Tim Linn	KD5SSF	521-0486	KD5SSF@arrl.net
	Brad Sacca	KC5SKE	382-4380	shiekyerbouty@msn.com

The newsletter is always looking for articles and notes of interest to the members of the Mesilla Valley Radio Club. Please send them to Alex. F. Burr, K5XY, Editor, MVRC Local Oscillator, 695 Stone Canyon Drive, Las Cruces, NM 88011. Small personal ads from members will also be published. It would be helpful if submissions would be made in a machine readable form. Windows readable disks are welcome. Files can also be sent to the Internet address k5xy@arrl.net. The club maintains a web site at <http://www.zianet.com/mvrc>.

JOIN THE CLUB

To join the Mesilla Valley Radio Club, renew your membership, or to support the repeaters, please print, cut out, and complete the form below. Send it with dues (\$35 single, \$45 family per year, add \$10 to receive the newsletter by US mail instead of e-mail) to: Treasurer, MVRC, Box 1443, Las Cruces, NM 88004.

Name	
------	--

Box or street address	
City	
State	
Zip	
Call	
Class of license	
Phone	
e-mail	
ARRL Member?	

[Return to home page](#)

[Return to Local Oscillator first page](#)