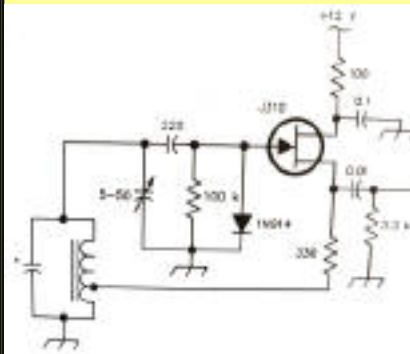


2007

# Local Oscillator



February

Mesilla Valley Radio Club

A [pdf file](#) of this issue is available. It should print fairly easily. If you do not have the free pdf file reader, go to <http://www.adobe.com>

## Coming Events

## Table of Contents

Date	Event	Time
Sun	CW Net 7.142	4:00PM
M - F	6 m FM net 52.540	6:00AM
M - F	round-table 52.525	8:00PM
T, T	Informal Wal-Mart (E)	10:00AM
M, W, F	Informal Wal-Mart (W)	10:00AM
Mon	WTRA Swap net 146.88	8 PM
Wed	Net 146.64	6:45PM
Mon	YL Rise & Shine 449.9	8:30AM
Dec 5	Christmas Dinner (Furr's Buffet)	6 PM
Feb 3	Breakfast - Club House	8 AM
Feb 3	Business meet - Club House	9 AM
Feb 4	Super Sunday race	
Feb 14	Directors meeting - Club House	7:00 PM
Feb 16	Tech Class - Club House	
Mar 9	General Class - Club House	
Mar 10	Run Old Mesilla Race	
Mar 25	Bataan Memorial Death March	
Apr 29	Bean Feed	

COMING EVENTS  
 TABLE OF CONTENTS  
[PRESIDENT'S CORNER](#)  
[A THANK YOU](#)  
[CHRISTMAS DINNER](#)  
[CLUBHOUSE CLEAN UP](#)  
[2007 MVRC COMM](#)  
[GENERAL CLASS](#)  
[DIGITAL TV](#)  
[INCOME/EXPENSE](#)  
[BACK PAGE](#)



# CHRISTMAS DINNER

The space below is used for acknowledgements and maintaining the site.

Send comments, suggestions, and requests to [Alex. F. Burr](mailto:aburr@qzxservices.com) or send e-mail to [aburr @ qzxservices.com](mailto:aburr@qzxservices.com).

Technical assistance, net access, design, and maintenance provided by [qzxservices.com](http://qzxservices.com)

## THE ARTICLES FOR THIS MONTH

### PRESIDENT'S CORNER

KD5ZHI

Mesilla Valley Radio Club is well underway for the year of 2007. Bob Bennet organized a great club house clean up day. We are starting to plan and organize the Bean Feed. We have two classes scheduled, one for tech the weekend of February 16th and a general class weekend of March 9th. We will need a great amount of club support and participation for the Bean Feed as always. Jeff Campbell KE5KLH with the help of Cash Olsen KD5SSJ is organizing the Bean Feed this year. Should you have a particular thing you want to help with, please contact him. Jeff will definitely be contacting all of us for help. With that note, if you have anything you want to donate, please contact Dennis Shapen or Bob Bennet. The club depends on donations and sales to help support the operations of the club. If you don't want to donate then tail gate, get rid of that stuff you just don't use or want any more to make room for the new goodies.

If you would like someone to come by and pickup items you would like to donate to the club, we will make the necessary arrangements. We hope to have some commercial vendors to sell new goodies.

In a sad note we have lost Art Block this month. I am sure Art will be missed by many, our thoughts are with his wife and family. I also wanted to remember those that are sick or ill. Stay on the radio, its good therapy.

[Return to Table of Contents](#)

### A THANK YOU

KC5SKE (and family)

On behalf of my family I want to thank everyone for their support and prayers during our time of need.

Ever since I became a Ham I have found so many great people that are willing to give of themselves when needed and it was very evident, especially when we needed it the most.

Thank you all.

[Return to Table of Contents](#)

### CHRISTMAS DINNER

K5XY

A very successful Christmas Dinner was held at the new Furr's Buffet on December 5. The first of more

than 40 people started to fill the event dining room at Furr's before 6 PM. A special price had been arranged and there was a wide choice of good food from which to select. There was no special program, but a lot of rag chewing went on and the retiring president, N5PK, presented awards to the outgoing board members.

[Return to Table of Contents](#)

## CLUBHOUSE CLEAN UP

AD5LJ

On Saturday, 13 Jan 2007, ten people worked all morning cleaning our clubhouse and lot. We started at 8:30 AM and divided into two teams with one team cleaning the clubhouse and the other working outside. Just about every surface in the clubhouse was scrubbed and it is now the cleanest it has been in several years. It looks great!

The second team working outside managed to cut and pile a lot of the dead weeds from the lot. Bob Deal (KD5PPP) brought his tractor with a front end loader and rear rake. With the tractor we were able to clear a path from Wilt to the rear of the clubhouse, knock out some cactus mounds in rear of the clubhouse and make a few new parking places for use during bean feed tail gating. A small amount of clean up still needs to be done and we will have another work morning in a month or so to finish the lot work.

The following participated in the clean up; Cash Olsen (KD5SSJ), George Kopp (KD5OHA), Bob Rossow (KE5ISD), Tres Campbell (KD5ZHI), Ron Lerdal (KE5KLK), Dennis Shepan (KB5TPV), Bob Deal (KD5PPP), Verna Deal (KD5PUN), Dave Hassall (WA5DJJ), and Bob Bennett (AD5LJ).

[Return to Table of Contents](#)

## 2007 MVRC COMM EVENTS CALENDAR

AD5FE

They are:

Feb 04: Super Bowl Sunday 5 & 10K

Mar 10: Run Old Mesilla 5 & 10K Runs/ 5K Fitness Walk

Mar 25: Bataan Memorial Death March, Not a MVTC Event.

Apr 01: MVTC Triathlon, 5K Run/25K Bike? 500M Swim

Apr 21: Horse Endurance Race, T or C; Not a MVTC Event.

Jul 04: Independence Day Run \*\* 8K/1Mile,

Jul 14: Burn Lake Duathlon \*\* 5K Run/28Mile Bike/5K Run

Aug 04: Summer Fun \*\* 5 & 10K Runs/ 5K Fitness Walk

Sep 29: The Whole Enchilada Fiesta \*\* 5K/1Mile

Oct 28: Rio Grande Marathon, Marathon/M-Relay/Half-M/5K

Nov 10: 37th Annual Baylor Pass Mountain Run, 5.9 Miles

Nov 22: Turkey Trot 5K Run/ Fitness Walk, 1 Mile Kid's Run

\*\* = Events co-sponsored with the City of Las Cruces.

Please note that two (2) events added to the list are not sponsored by the track club, but are supported by the MVRC. Also note that this list can change if the need arises.

[Return to Table of Contents](#)

## GENERAL LICENSE CLASS

### K5DI

We have traditionally held a weekend class that gets a student his General Class written exam, but this does not make him a General Class Ham. In fact he gets a CSCE from the VE Team that is good for one year.

I used to conduct a CW Class that ran for a couple of weeks but many did not't even listen to the code until the last week end. They did not succeed and a year later they lost credit for taking the written exam.

Any fool can see that learning the code is a lot more difficult than learning how to pass the written exam. So I propose to teach a General License Class. At the end of this class there will be a VE Exam where the first test will be for code, and the second for the written exam.

The student will learn to pass the written exam by taking the practice exams on the QRZ web page. We will check progress with a real written exam near the end of the class.

The code will be learned using a simple device you put on your windows computer and it will send CW to you. It is very easy to use but it took me 4 hours to figure it out. So in the first class meeting we will all learn to use this free software. I suggest that you learn how to put earphones on your computer so you alone hear the CW. This is to keep peace at home.

This class will not be over one weekend. In fact you will be asked to come just for an hour Tuesday and Thursday evenings for 6 weeks. At these meetings you will be told how your doing and will be shown some methods to get over your special problems with CW. The class will be held at the Mesilla Valley Recreation Center which is near Main and Union Streets. You will receive detailed instructions later.

We will use the latest Koch trainer which is from G4FON and you get the software from G4FON by putting his call in Google. You want version 9.1.4 and it is not too large to download if your using a telephone modem, but will take a few minutes. It works just fine on my WindowsXP on my laptop.

To join this class please contact the instructor Karl Larsen at 524-3303 or cell 640-1383 or Internet k5di@zianet.com. I am often on the 146.64 repeater in the early morning hours.

[Return to Table of Contents](#)

## DIGITAL TV



## KI5FJ

If you have an old reliable TV, meaning ANALOG, and a roof antenna there may be only 25 months ANALOG transmissions authorized. Currently DIGITAL TV (DTV) is being transmitted along with the ANALOG from PBS and the El Paso major network stations. The end of ANALOG has been planned for Feb 2009 or when 85 percent of the population has DTV available.

What does this mean for you? If your old TV picture is not as bright and clear as it used to be, you might consider upgrading. DTV or sometimes-called HDTV receivers are now available. These TVs have many inputs for a lot of fancy stuff like VCRs, DVD Players, and Satellite dish receivers. Most importantly, they probably have TWO 75 ohm TV antenna connectors. One of these F type antenna connectors is for the old ANALOG NTSC format and the other for the new DIGITAL (DTV). Converter boxes for your old TV may be available.

The FCC plan is to move all of the stations from VHF frequencies (Channels 2-13) to UHF when they no longer transmit ANALOG. As an example, Channel 4 will move to Channel 50.

The picture and sound quality for an off the air DIGITAL signal from El Paso is great! Thanks to Richard, KC5EVR for making me aware of the DTV in our area.

[Return to Table of Contents](#)

## INCOME/EXPENSE

Mesilla Valley Radio Club

November 1 through December 31

Income 1782.50

Expense 1174.49

For a more complete treasurer's report see the [I/E page](#).

[Return to Table of Contents](#)

**Mesilla Valley Radio Club**  
**Income/Expense**  
**November 1 through December 31, 2006**

Beginning Balances		
MVRC Checking Account		1351.90
MVRC Savings Account		0.00
MVRC 1 year CD		5000.00
Education Fund Account		2327.65
Cash on Hand		50.00
<b>Balances Total</b>		<b>8729.55</b>

**Income**

Breakfast & Drinks	81.00	
Dues	420.00	
Equipment Sales	1224.00	
T-shirt Sales	67.50	
Total Income		<u>1792.50</u>
<b>Balances + Income</b>		<b>10522.05</b>

**Expenses**

Breakfast	8.98	
Newsletter	29.79	
President's Fund	260.25	
Property Tax	580.19	
Utilities		
Electricity	60.25	
Propane	153.96	
Telephone	57.86	
Water	23.21	
Total Expenses		1174.49

**Balances on hand, Dec. 31, 2006**

**9347.56**

Ending Balances

MVRC Checking Account

1969.91

MVRC Savings Account

0.00

MVRC 1 year CD

5000.00

Education Fund Account

2327.65

Cash on Hand

50.00

**Balances Total**

**9347.56**

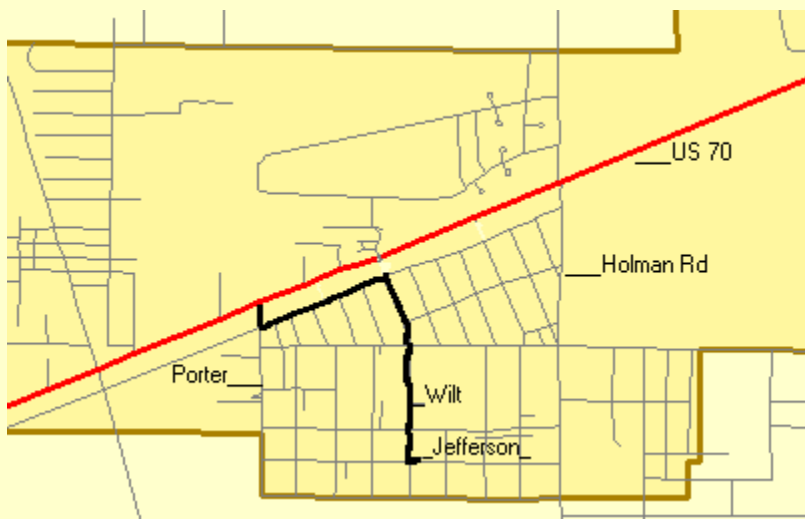
-  
Sandra Hempfling  
2006 Treasurer  
Final Report

Return to body of [Local Oscillator](#)



## CLUB INFORMATION

The MVRC Clubhouse is located at the intersection of Wilt and Jefferson in Hacienda Heights. To find the clubhouse, set your destination on your GPS receiver as 32 degrees 22.961 minutes and -106 degrees 41.44 minutes. If you don't own a gps, take the Porter exit on US 70. It is about 5 miles from the I 25 interchange, near the firehouse. Almost immediately south of the south frontage road on the south side of US 70, turn left toward the mountains until you come to Wilt. Turn right. There is a jog in the road, but at 0.35 miles you should come to Jefferson. If you can't see the tower and beam, you shouldn't be driving. The treasurer would be delighted to receive your contribution for landscaping and furnishing.



## Officers

Office	Name	Call	Phone	e-mail
President	Tres Campbell	KD5HZI	373-2008	<a href="mailto:trscam@netscape.net">trscam@netscape.net</a>
Vice-President	Dennis Shepan	KB5TPV	522-7466	
Secretary	Bob Rossow	KE5ISD	522-7445	
Treasurer	Martin Winkler	N9OG		<a href="mailto:winklma@comcast.net">winklma@comcast.net</a>
Board Members	Alex. Burr	K5XY	522-2528	<a href="mailto:k5xy@arrl.net">k5xy@arrl.net</a>
	Bob Bennett	AD5LJ	382-0148	<a href="mailto:rbennett1@comcast.net">rbennett1@comcast.net</a>
	Henry Schotzko	AD5FE	AD5FE	<a href="mailto:schotzko@comcast.net">schotzko@comcast.net</a>
	Cash Olsen	KD5SSJ	382-1917	<a href="mailto:casholsen@zianet.com">casholsen@zianet.com</a>
	Tim Linn	KD5SSF	521-0486	
	Brad Sacca	KC5SKE	382-4380	<a href="mailto:shiekyerbouty@msn.com">shiekyerbouty@msn.com</a>

The newsletter is always looking for articles and notes of interest to the members of the Mesilla Valley Radio Club. Please send them to Alex. F. Burr, K5XY, Editor, MVRC Local Oscillator, 695 Stone Canyon Drive, Las Cruces, NM 88011. Small personal ads from members will also be published. It would be helpful if submissions would be made in a machine readable form. Windows readable disks are welcome. Files can also be sent to the Internet address [k5xy@arrl.net](mailto:k5xy@arrl.net). The club maintains a web site at <http://www.zianet.com/mvrc>.

### JOIN THE CLUB

To join the Mesilla Valley Radio Club, renew your membership, or to support the repeaters, please print, cut out, and complete the form below. Send it with dues (\$35 single, \$45 family per year, add \$10 to receive the newsletter by US mail instead of e-mail) to: Treasurer, MVRC, Box 1443, Las Cruces, NM 88004.

Name	
------	--

Box or street address	
City	
State	
Zip	
Call	
Class of license	
Phone	
e-mail	
ARRL Member?	

[Return to home page](#)

[Return to Local Oscillator first page](#)