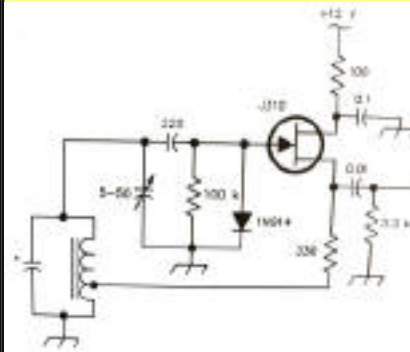


2006

# Local Oscillator



December

Mesilla Valley Radio Club

A [pdf file](#) of this issue is available. It should print fairly easily. If you do not have the free pdf file reader, go to <http://www.adobe.com>

## Coming Events

## Table of Contents

| Date    | Event                            | Time    |   |
|---------|----------------------------------|---------|---|
| Sun     | CW Net 7.142                     | 4:00PM  | COMING EVENTS                           |
| M - F   | 6 m FM net 52.540                | 6:00AM  | TABLE OF CONTENTS                       |
| M - F   | round-table 52.525               | 8:00PM  | <a href="#">PRESIDENT'S CORNER</a>      |
| T, T    | Informal Wal-Mart (E)            | 10:00AM | <a href="#">PAST PRESIDENT'S CORNER</a> |
| M, W, F | Informal Wal-Mart (W)            | 10:00AM | <a href="#">BAYLOR PASS RUN</a>         |
| Mon     | WTRA Swap net 146.88             | 8 PM    | <a href="#">INCOME/EXPENSE</a>          |
| Wed     | Net 146.64                       | 6:45PM  | <a href="#">BUSINESS MEETING</a>        |
| Mon     | YL Rise & Shine 449.9            | 8:30AM  | <a href="#">BOARD MINUTES</a>           |
| Dec 5   | Christmas Dinner (Furr's Buffet) | 6 PM    | <a href="#">2007 PROPOSED BUDGET</a>    |
| Jan 6   | Breakfast - Club House           | 8 AM    | <a href="#">BACK PAGE</a>               |
| Jan 6   | Business meet - Club House       | 9 AM    |   |
| Jan 10  | Directors meeting - Club House   | 7:00 PM |   |
| Jan 13  | Baylor Pass Run                  | 9 AM    |   |



# CLUB HOUSE

---

The space below is used for acknowledgements and maintaining the site.

Send comments, suggestions, and requests to [Alex. F. Burr](#) or send e-mail to [aburr @ qzxservices.com](mailto:aburr@qzxservices.com).

Technical assistance, net access, design, and maintenance provided by [qzxservices.com](http://qzxservices.com)

## THE ARTICLES FOR THIS MONTH

PRESIDENT'S CORNER (Elect)  
KD5ZHI

Hello All,

I am looking forward to this year. I believe we have a great board with lots of talent and willingness to serve. The club is doing well in several different areas. Our budget is ready for the clubs review in the January meeting, It does not look like we have any surprises. The club meetings are well attended, many times it has been standing room only. Our club house is in great shape, we are fortunate to have a permanent place to meet.

This all being said we still must work to keep the momentum going. I am looking forward to working with each of you. We all have something to contribute.

Please contact the person that is holding your position now. They all should have a package to turn over to you. This should help you with your job, it may be software, paper work or just general notes. If you do not have that person's number or mail address let me know.

Our first general meeting as new officers and board will be the first Saturday in January, first board meeting Wednesday after that 7:00 pm at the club house.

[Return to Table of Contents](#)

PAST PRESIDENT'S CORNER (Elect)  
N5PK

Hello to all,

Brad Sacca and family have suffered life's most tragic calamity, the loss of their youngest son, Justin. Our hearts and prayers go out to this fine family. No parent should ever experience this heart ache nor expects to. I believe that there are at least two ways we can help in this situation, one is there will always be un-foreseen extra expenses that will occur and second with extra folks coming into the area, extra food will need to be prepared. So, I would encourage each of you to do what you can in a personal way financially or with prepared food. I know that many of us will want to help in this outreach.

As many know, John and Sandra are in Pennsylvania seeing kin folks. As part of this trip, John was to see his heart specialist who promptly placed John in the hospital, so yesterday, the 28th, John received quintuple by-pass surgery and is doing well at last report. We need to keep John and Sandra in our prayers also that John may have a speedy recovery and that they return safely back to us soon.

As a reminder, Christmas diner, the 5th of December at 6 pm, at Furr's Buffet just north of the old Walmart. I hope to see many of you there. Also, to get a head start for the new year, we are accepting membership dues for 2007.

Have a great Christmas.

[Return to Table of Contents](#)

## BAYLOR PASS RUN WK5C

The MVRC supported the Mesilla Valley Track Club's 36th annual running of the Baylor Pass Trail Run. The event started at 1000 with almost 150 runners at the west side starting line. Several radio operators were already on station for their assignments up on the mountainside to assure the safety of the runners, having arrived at both the east and west sides before 0800 to start the climb to the assigned locations. Good communications was obtained by using 146.55 simplex, with a few relays being needed.

The run is approximately 5.9 miles. The winner crossed the finish line in under 45 minutes. The west side is fairly straightforward, if steep, but the east side is steeper and this is where the most accidents have happened on previous races. Fortunately this time there were no major injuries. Starting from the west side parking lot the operators included KE5LES Sandra and N5PK Jack, at the starting line, KD5SSJ Cash, WA5DJJ Dave, WK5C John, WZ5R Joe, AD5FE Henry, K5DI Karl, AD5LJ Bob, KB5TPV Dennis, KE5IAI Bill, KD5ZGY Val, and KD5OHA George who was at the finish line. George was in charge of the weather and it was beautiful. Of special notice was George at the finish line and Jack at the start line staying at their posts until the operators up on the mountain were down safe and accounted for. Well done to both of them.

[Return to Table of Contents](#)

## INCOME/EXPENSE

Mesilla Valley Radio Club

October 1 through October 31

Income        534.54

Expense       1406.95

For a more complete treasurer's report see the [I/E page](#).

[Return to Table of Contents](#)

## NOVEMBER BUSINESS MEETING

## MINUTES OF NOVEMBER 4, 2006 BUSINESS MEETING

The MVRC met at the clubhouse on November 4 for the regular business meeting. The meeting was called to order by President Jack Lemons (N5PK) at 9:00 am. Visitors were welcomed and members introduced themselves.

### Reports:

Judy Davis (W5JRD) Secretary – Minutes of the last meeting were read and approved as read.

Sandra Hempfling (KJ5Q) Treasurer – There is a total of \$8729.55 in all accounts as of October 31, 2006. The report was approved.

Bob Bennett (AD5LJ) Clubhouse – An outside maintenance work day will be on Saturday, January 13, 2007 at 8:30 am.

Cash Olsen (KD5SSJ) Special Events – The Christmas dinner will be held at Furr's Cafeteria on December 5th at 6:00 pm.

George Kopp (KD5OHA) for John Beakley (WK5C) Communications – The two upcoming races are the Baylor Pass Run and the Turkey Trot on Thanksgiving Day.

Marty Campbell (N7CYY) Nominating Committee – Committee nominations are as follows:

President Tres Campbell (KD5ZHI)

Vice-President Dennis Shepan (KB5TPV)

Treasurer Marty Winkler (N9OG)

Communications Henry Schotzko (AD5FE)

Education Tim Linn (KD5SSF)

Secretary Bob Rossow (KE5ISD)

The slate was accepted by acclamation.

The position of Special Events Director is still open.

The meeting was adjourned at 9:55 am.

[Return to Table of Contents](#)

## NOVEMBER BOARD MINUTES

### MINUTES OF NOVEMBER 08, 2006 BOARD OF DIRECTORS MEETING

Board members in attendance were:

Jack Lemons (N5PK)

Tres Campbell (KD5ZHI)

Sandra Hempfling (KJ5Q)

Judy Davis (W5JRD)  
 Alex Burr (K5XY)  
 Bob Bennett (AD5LJ)  
 Brad Sacca (KC5SKE)

Dennis Shepan (KB5TPV) – incoming vice president was also present.

President Jack Lemons called the meeting to order at 7:00 pm

#### Reports:

The minutes were read by Judy Davis and approved as amended.

Sandra Hempfling read the treasure's report - The club has \$8729.55 in all accounts as of October 31, 2006. The report was accepted.

Bob Bennett –There will be an outside maintenance work day on Saturday January 13 at 8:30 am.

Alex Burr – There will be no LO published for the month of January.

Brad Sacca – A new phone patch card is expensive and offers no significant benefit over the one currently in use. A ham from T or C is proposing to link his 70 cm repeater with one of our repeaters on Twin Peaks and run Echo Link or a similar program on the repeater pair. This will be discussed at the January meeting.

The budget for 2007 was agreed on and will be presented at the January meeting.

The Meeting was adjourned at 8:30 pm.

[Return to Table of Contents](#)

#### 2007 PROPOSED BUDGET

| <b>2007 Proposed Budget</b> |               |                     |               |
|-----------------------------|---------------|---------------------|---------------|
|                             | <b>2006</b>   | <b>Year-to-Date</b> | <b>2007</b>   |
| <b>INCOME</b>               | <b>Budget</b> | <b>Actual</b>       | <b>Budget</b> |
|                             |               | <b>10/31/06</b>     |               |
| Bean Feed (food +)          | 800.00        | 778.50              | 400.00        |
| Breakfast & Drinks          | 475.00        | 660.86              | 600.00        |
| Contributions               | 765.00        | 725.00              | 535.00        |
| Dues                        | 2000.00       | 2445.50             | 2500.00       |
| Newsletter\$                | 60.00         | 20.00               | 20.00         |
| 50-50 Prize                 | 60.00         | 55.50               | 60.00         |

|                       |                |                     |                |
|-----------------------|----------------|---------------------|----------------|
| Interest Income       |                | 16.56               | 0.00           |
| Equipment Sales       | 1300.00        | 2335.25             | 700.00         |
| Education             | 850.00         | 528.00              | 850.00         |
| Tshirt Sales          |                | 15.88               | 0.00           |
| <b>TOTAL INCOME</b>   | <b>6310.00</b> | <b>7581.05</b>      | <b>5665.00</b> |
|                       |                |                     |                |
|                       | <b>2006</b>    | <b>Year-to-Date</b> | <b>2007</b>    |
| <b>EXPENSES</b>       | <b>Budget</b>  | <b>Actual</b>       | <b>Budget</b>  |
|                       |                | <b>10/31/06</b>     |                |
| Bank Charge           |                | 10.71               | 0.00           |
| Bean Feed             | 550.00         | 594.44              | 300.00         |
| Breakfast             | 250.00         | 380.90              | 400.00         |
| Club House            | 200.00         | 284.05              | 200.00         |
| Field Day             | 400.00         | 166.51              | 300.00         |
| Insurance             | 1000.00        | 950.00              | 1000.00        |
| Misc                  | 300.00         | 70.10               | 150.00         |
| Newsletter            | 250.00         |                     | 75.00          |
| NM Emergency Fee      | 30.00          |                     | 30.00          |
| PO Box                | 50.00          | 50.00               | 50.00          |
| Postage               | 50.00          | 7.80                | 50.00          |
| President's Fund      | 150.00         |                     | 150.00         |
| Property Tax          | 600.00         |                     | 600.00         |
| Repeater              | 150.00         | 82.50               | 150.00         |
| Tax Exempt Fee        | 10.00          | 10.00               | 10.00          |
| Utilities             |                |                     |                |
| Electric              | 650.00         | 351.29              | 450.00         |
| Propane               | 400.00         | 38.54               | 400.00         |
| Telephone             | 300.00         | 280.54              | 350.00         |
| Water                 | 120.00         | 113.48              | 150.00         |
| Education Classes     | 850.00         | 723.48              | 850.00         |
| <b>TOTAL EXPENSES</b> | <b>6310.00</b> | <b>4114.34</b>      | <b>5665.00</b> |
|                       |                |                     |                |
| <b>CAPITAL BUDGET</b> |                |                     |                |
| Club House            |                | 6733.00             |                |
| New Repeaters         | 2200.00        | 1802.40             |                |



|  |                             |                 |  |
|--|-----------------------------|-----------------|--|
|  |                             |                 |  |
|  | <b>GRAND TOTAL EXPENSES</b> | <b>12649.74</b> |  |

[Return to Table of Contents](#)

**Mesilla Valley Radio Club**  
**Income/Expense**  
**October 1 through October 31, 2006**

|                          |        |        |                 |
|--------------------------|--------|--------|-----------------|
| Beginning Balances       |        |        |                 |
| MVRC Checking Account    |        |        | 108.76          |
| MVRC Savings Account     |        |        | 2123.55         |
| MVRC 1 year CD           |        |        | 5000.00         |
| Education Fund Account   |        |        | 2319.65         |
| Cash on Hand             |        |        | 50.00           |
| <b>Balances Total</b>    |        |        | <b>9601.96</b>  |
| Income                   |        |        |                 |
| Bean Feed                | 5.00   |        |                 |
| Breakfast & Drinks       | 93.50  |        |                 |
| Contributions            | 150.00 |        |                 |
| Dues                     | 70.00  |        |                 |
| Equipment Sales          | 145.00 |        |                 |
| Interest Income          | 1.00   |        |                 |
| Tshirt Sales             | -52.96 |        |                 |
| Education                | 123.00 |        |                 |
| Total Income             |        | 534.54 |                 |
| <b>Balances + Income</b> |        |        | <b>10136.50</b> |
| Expenses                 |        |        |                 |
| Bank Charge              | 10.71  |        |                 |
| Breakfast                | 51.08  |        |                 |
| Club House               | 188.37 |        |                 |
| Insurance                | 950.00 |        |                 |
| Utilities                |        |        |                 |
| Electricity              | 31.47  |        |                 |
| Propane                  | 19.28  |        |                 |

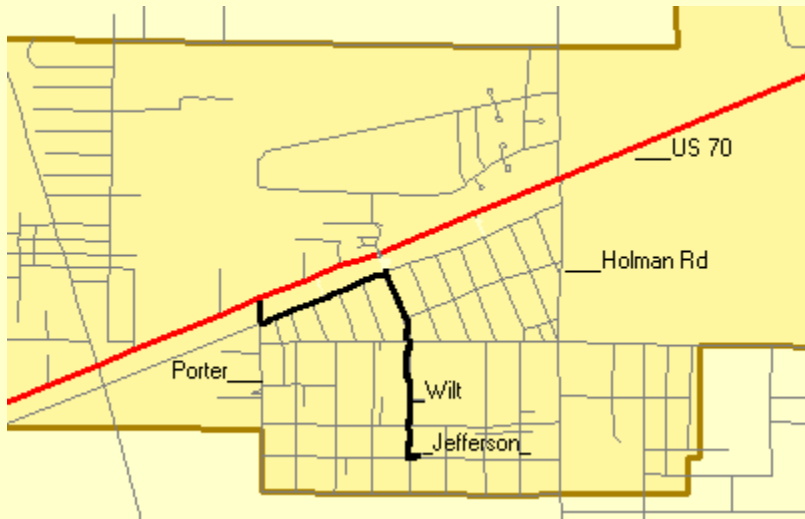
|  |        |                |
|--|--------|----------------|
| Telephone                              | 29.04  |                |
| Water                                  | 12.00  |                |
| Education Classes                      | 115.00 |                |
| Total Expenses                         |        | 1406.95        |
| <b>Balances on hand, Oct. 31, 2006</b> |        | <b>8729.55</b> |
| Ending Balances                        |        |                |
| MVRC Checking Account                  |        | 1351.90        |
| MVRC Savings Account                   |        | 0.00           |
| MVRC 1 year CD                         |        | 5000.00        |
| Education Fund Account                 |        | 2327.65        |
| Cash on Hand                           |        | 50.00          |
| <b>Balances Total</b>                  |        | <b>8729.55</b> |

-  
Sandra Hempfling  
Treasurer

Return to body of [Local Oscillator](#)

## CLUB INFORMATION

The MVRC Clubhouse is located at the intersection of Wilt and Jefferson in Hacienda Heights. To find the clubhouse, set your destination on your GPS receiver as 32 degrees 22.961 minutes and -106 degrees 41.44 minutes. If you don't own a gps, take the Porter exit on US 70. It is about 5 miles from the I 25 interchange, near the firehouse. Almost immediately south of the south frontage road on the south side of US 70, turn left toward the mountains until you come to Wilt. Turn right. There is a jog in the road, but at 0.35 miles you should come to Jefferson. If you can't see the tower and beam, you shouldn't be driving. The treasurer would be delighted to receive your contribution for landscaping and furnishing.



## Officers

| Office         | Name             | Call   | Phone    | e-mail   |
|----------------|------------------|--------|----------|--|
| President      | Jack Lemons      | N5PK   | 526-9428 | <a href="mailto:n5pk@zianet.com">n5pk@zianet.com</a>             |
| Vice-President | Tres Campbell    | KD5HZI | 373-2008 | <a href="mailto:trscam@netscape.net">trscam@netscape.net</a>     |
| Secretary      | Judy Davis       | W5JRD  | 522-6833 | <a href="mailto:judy@davis-domain.com">judy@davis-domain.com</a> |
| Treasurer      | Sandra Hempfling | KJ5Q   | 373-1166 | <a href="mailto:kj5q@arrl.net">kj5q@arrl.net</a>                 |
| Board Members  | Alex. Burr       | K5XY   | 522-2528 | <a href="mailto:k5xy@arrl.net">k5xy@arrl.net</a>                 |
|                | Bob Bennett      | AD5LJ  | 382-0148 | <a href="mailto:rbennett1@comcast.net">rbennett1@comcast.net</a> |
|                | John Beakley     | WK5C   | 522-7078 | <a href="mailto:wk5c@arrl.net">wk5c@arrl.net</a>                 |
|                | Cash Olsen       | KD5SSJ | 382-1917 | <a href="mailto:casholsen@zianet.com">casholsen@zianet.com</a>   |
|                | Joe San Filippo  | WZ5R   | 521-7574 | <a href="mailto:sanfilippo@zianet.com">sanfilippo@zianet.com</a> |
|                | Brad Sacca       | KC5SKE | 382-4380 | <a href="mailto:shiekyerbouty@msn.com">shiekyerbouty@msn.com</a> |
|                |                  |        |          |  |

The newsletter is always looking for articles and notes of interest to the members of the Mesilla Valley Radio Club. Please send them to Alex. F. Burr, K5XY, Editor, MVRC Local Oscillator, 695 Stone Canyon Drive, Las Cruces, NM 88011. Small personal ads from members will also be published. It would be helpful if submissions would be made in a machine readable form. Windows readable disks are welcome. Files can also be sent to the Internet address [k5xy@arrl.net](mailto:k5xy@arrl.net). The club maintains a web site at <http://www.zianet.com/mvrc>.

### JOIN THE CLUB

To join the Mesilla Valley Radio Club, renew your membership, or to support the repeaters, please print, cut out, and complete the form below. Send it with dues (\$35 single, \$45 family per year, add \$10 to receive the newsletter by US mail instead of e-mail) to: Treasurer, MVRC, Box 1443, Las Cruces, NM 88004.

|      |  |
|------|--|
| Name |  |
|------|--|

|                       |  |
|-----------------------|--|
| Box or street address |  |
| City                  |  |
| State                 |  |
| Zip                   |  |
| Call                  |  |
| Class of license      |  |
| Phone                 |  |
| e-mail                |  |
| ARRL Member?          |  |

[Return to home page](#)

[Return to Local Oscillator first page](#)