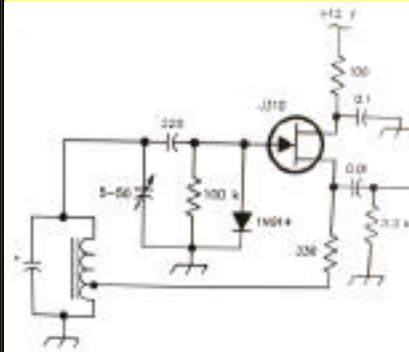


2006

Local Oscillator



November

Mesilla Valley Radio Club

A [pdf file](#) of this issue is available. It should print fairly easily. If you do not have the free pdf file reader, go to <http://www.adobe.com>

Coming Events

Table of Contents

Date	Event	Time
Sun	CW Net 7.142	4:00PM
M - F	6 m FM net 52.540	6:00AM
M - F	round-table 52.525	8:00PM
T, T	Informal Wal-Mart (E)	10:00AM
M, W, F	Informal Wal-Mart (W)	10:00AM
Mon	WTRA Swap net 146.88	8 PM
Wed	Net 146.64	6:45PM
Mon	YL Rise & Shine 449.9	8:30AM
Nov 4	Breakfast - Club House	8 AM
Nov 4	Business meet - Club House	9 AM
Nov 8	Directors meeting - Club House	7:00 PM
Nov 11	Baylor Pass Run	
Nov 23	Turkey Trot	

[COMING EVENTS](#)
[TABLE OF CONTENTS](#)
[PRESIDENT'S CORNER](#)
[RIO GRANDE MARATHON](#)
[APRS FOR YOU](#)
[INCOME/EXPENSE](#)
[BUSINESS MEETING](#)
[BOARD MINUTES](#)
[BACK PAGE](#)



WK5C at Marathon

The space below is used for acknowledgements and maintaining the site.

Send comments, suggestions, and requests to [Alex. F. Burr](mailto:aburr@qzxservices.com) or send e-mail to [aburr @ qzxservices.com](mailto:aburr@qzxservices.com).

Technical assistance, net access, design, and maintenance provided by qzxservices.com

THE ARTICLES FOR THIS MONTH

PRESIDENT'S CORNER

N5PK

This will be last of our visits using this forum. It's been a good two years and we've accomplished a lot of positive things together. The meeting attendance is up by three times over the past several years, the programs have been consistently well presented, on amateur radio related topics and of interest to most members. Club membership is on the rise as well as participation in club related activities. Our future is to continue to build on these successes and to encourage our members, new and long time, to broaden their participation in all club projects and activities.

I can't say enough about the leadership team that I have been privileged to work with these two years. Each officer and director has provided me with sound council and support through out. They have always focused on "what is best for our club". John B. and Dave H. came on board early in 2006 when called upon to fill the gap. We all owe our entire leadership team a great deal of thanks.

As I look back on these two years, the only negative I see is our lack of developing new leadership to serve our club in the years ahead. As I have always believed, the buck stops with me and I must accept the lions share of the responsibility for this. I am sorry that I didn't work harder toward that goal. As a result of this, we face the new year with an incomplete slate of officers and directors. This will cause an extreme hardship on those we elect to lead us forward in the coming couple of years. If you have meaningful ideas on solving this crisis, see me or another board member at the November meeting.

I look forward to seeing you all at the meeting of November 4th. We need you there!

[Return to Table of Contents](#)

RIO GRANDE MARATHON

WK5C

Thirteen club members supported the 5th annual Rio Grande Marathon held at the Field of Dreams on

October 19. The games also included a half marathon run/walk, and a 5 kilometer run/walk. Just over 401 runners/walkers participated without incident. Near the end of the race, one runner got a slight case of road rash but it didn't need medical attention. Henry was able to call it in real time and it was reported to the local LCFD members. Runners came from Las Cruces, Albuquerque, El Paso, and more than a dozen other states. The race started in the Field of Dreams and went west to the Rio Grande River, then proceeded south along the levee road past Old Mesilla and return. The full marathon winner came across in at 3:12:29. The women's winner set a new record of 2:29:47.

The club's 146.64 repeater was used with no problems. Thanks to AD5FE Henry, WM5Z/KD5ZGY Steve and Val, WA5DJJ Dave, KC5VHS Perry, KD5SSJ Cash, KB5TPV Dennis, K5DI Karl, KC5SKE Brad, KC5EVR Richard, N5PK Jack, KD5SSF Tim, KD5OHA George, and WK5C John. The race started at 0700 and we closed up at 1400 hours. Of special note was Tim on his bicycle. This was of extra value due to the large distances between radio operators and the numerous slower walkers. Tim was able to notify all of the positions of these walkers.

The next scheduled race is the Baylor Pass 10k (~6 mile) run on Saturday, 11 November. The starting gun on that race is at 1000 hours.

[Return to Table of Contents](#)

APRS FOR YOU

Part 1 of 4 parts

K5DI

Cash Olsen showed us his stuff for an APRS system but not very much detail. I was passed two of his units and they looked fine but so what? I did not have a full understanding of APRS and bits of information are just MORE confusing! But Cash had the right gear to show and today I will tell you to just forget all the complicated things and get going on APRS from your car. This is cheap (if you already have a VHF radio) and you need nothing but some wire and solder to make plugs to your radio.

You want to buy the TNC and the GPS which, when built and set, up are a complete APRS System. You will put these in your car with your VHF radio and when it is turned on you will be sending your position identified by your call sign around the area you have set up in the TNC.

You want to point your browser at this site where you will buy all you need.

<http://www.byonics.com/>

You want to buy the TinyTrak3Plus and the GPS which will cost \$99.00 plus about \$6.00 for Priority mail. Also get the instructions from that web page. The .pdf seems to be very complete and it includes a little

program you will run on your Windows computer. This program lets you set up the TinyTrak3Plus with your call sign and many other things. Buying the GPS is a good idea because it will come set up to plug right into the TNC. So you will provide 12 volts DC to the TNC and it will supply the GPS the power it requires.

When it all arrives you have all it takes to send APRS data! It is a small package and makes it's use in the car easy. There is the set-up and testing and such that will follow in Part 2. While waiting for the equipment look over the instructions in the .pdf file.

Also get used to using the Internet APRS system that lets you see your mobile station in action. This site is:

<http://www.findu.com>

The best way to learn how to use this webpage is to play around with it.

An important factor to APRS is how you tell your packets how long to live. A wonderful description of this is at:

<http://webs.lanset.com/wa8lmf/DigiPaths/>

Read this and you will learn we want to use Wide1-1, Wide2-2 in our TNC. This is a detail we needed to solve once. Now we know what to use.

How to Use findU

It's not very easy to figure out how findU works. At least it was very hard for me. I would use this basic plan to set up findU for your use. They are experimenting with Google Maps so expect that. So bring up your Web Browser and put in the address I provided. This is:

<http://www.findu.com/>

and when it comes up you see nothing of value. Go down the page and you see this:

Weather reports Position reports Long term vehicle tracking Telemetry Messages

You want to click on Position reports. After you do this you will see in the place where you put in <http://www.findu.com/> now has a longer list of things. It is now on mine:

<http://www.findu.com/cgi-bin/find.cgi?call=k4hg-8&terra=4m>

And it now shows you a lot of things about k4hg and has a map of this k4hg-8's travels. But we are not interested in this guy's data. To get to our area we must use a call sign of someone nearby. The college has a APRS repeater that is there all the time with the call W5GB-2. Change the line above to this and your looking our way in Las Cruces:

<http://www.findu.com/cgi-bin/find.cgi?call=W5GB-2>

Looking at the map your seeing Las Cruces were we are most of the time. To see who has been on or is on now click on Nearby APRS activity and you get a list of the local APRS stations some of which are days old. Others might be active now. To save this map and have it come up just like now make it a favorite or save it.

To find another station you know about that is out there somewhere all you need to do is put the call sign in place of W5GB-2.

This is how it works and it lets you set up your own car's APRS system. It will be a big help.

[Return to Table of Contents](#)

INCOME/EXPENSE

Mesilla Valley Radio Club

July 1 through July 31

Income 957.40

Expense 7137.76

For a more complete treasurer's report see the [I/E page](#).

[Return to Table of Contents](#)

OCTOBER BUSINESS MEETING

The MVRC met at the clubhouse on October 7 for the regular business meeting. The meeting was called to order by President Jack Lemons (N5PK) at 9:00 am. Visitors were welcomed and members introduced themselves.

A letter was read from the mayor of Hatch, NM thanking the club for assistance provided in the

aftermath of the recent flood.

A thank you note from Val Woosley (KD5ZGY) and Steve Friis (WM5Z) thanking the club for recent donations was read. The funds allowed Val to stay in Albuquerque during Steve's hospitalization.

Reports:

Sandra Hempfling (KJ5Q) Treasurer – There is a total of \$9601.99 in all accounts as of September 30, 2006. I was decided to close out our savings account of \$2123.55 due to increased service fees. The report was approved.

Judy Davis (W5JRD) Secretary – Minutes of the last meeting were read and approved as read.

Brad Sacca (KC5SKE) Repeaters – The new repeater at Caballo is up and working.

Bob Bennett (AD5LJ) Clubhouse – There are still items left from the clubhouse cleanup that are for sale

Cash Olsen (KD5SSJ) Special Events – Plans for this year's Christmas dinner were discussed. Time and place will be announced later.

George Kopp (KD5OHA) for John Beakley (WK5C) Communications – The annual marathon race will be held on Sunday October 29. A sign-up sheet for volunteers was circulated.

Marty Campbell (N7CYY) Nominating Committee – Nominees so far are:

- President Tres Campbell (KD5ZHI)
- Vice-President Dennis Shepan (KB5TPV)
- Treasurer Marty Winkler (N9OG)
- Communications Henry Schotzko (AD5FE)
- Education Tim Linn (KD5SSF)

Positions of Secretary and Special Events board member are still open. Anyone interested in these positions should contact a member of the nominating committee. Members are Marty Campbell (373-2008), Marnie Leverett (KA2FVO) (522-0347) and Karl Larsen (K5DI) (524-3303).

Other Business:

After a discussion, a constitutional resolution to amend Article 2, Section 1 to eliminate the two term limit on club officers was passed.

An application for renewal of the club station license has been submitted.

Due to ill health, Steve Friis has resigned as head of ARES.

After adjournment at 10:15 am, a program on APRS was presented by Cash Olsen

[Return to Table of Contents](#)

OCTOBER BOARD MINUTES

Board members in attendance were:

Jack Lemons (N5PK)

Tres Campbell (KD5ZHI)

Sandra Hempfling (KJ5Q)

Judy Davis (W5JRD)

Cash Olsen (KD5SSJ)

Alex Burr (K5XY)

Bob Bennett (AD5LJ)

President Jack Lemons called the meeting to order at 7:00 pm

Reports:

The minutes were read by Judy Davis and approved as read.

Sandra Hempfling read the treasure's report - The club has \$9,601.99 in all accounts as of September 30, 2006. The report was accepted.

Cash Olsen – The backup power supply for the Caballo (146.760 Mhz) is ready to be installed. Cost and availability of phone patch cards for the new repeaters is being investigated. Final plans are being made for the annual Christmas dinner. Cash suggested that some kind of monthly raffle/contest be considered in the future to add interest for all and to encourage new hams to participate.

Bob Bennett –Minor cleanup of the clubhouse is still needed. Now that we have new repeaters, the spare parts for the old repeaters no longer need to be kept.

Alex Burr – The monthly LO will be posted on 30 October in order to include the marathon race report.

Tres Campbell – Randy Adamson (KE5EMP) has expressed an interest in helping with the club web page. Karl Larsen will be serving as net control for the Wednesday night net for the immediate future.

The Meeting was adjourned at 8:00 pm.

[Return to Table of Contents](#)

Mesilla Valley Radio Club
Income/Expense
September 1 through September 30, 2006

Beginning Balances	
MVRC Checking Account	4450.17
MVRC Savings Account	4122.15
MVRC 1 year CD	5000.00
Education Fund Account	2160.03
Cash on Hand	50.00
Balances Total	15782.35

Income	
Breakfast & Drinks	50.00
Dues	9.00
Equipment Sales	492.00
Interest Income	1.40
Education	405.00
Total Income	957.40
Balances + Income	16739.75

Expenses	
Breakfast	37.95
Club House	51.24
Utilities	
Electricity	29.86
Telephone	29.04
Water	11.29
Education Classes	245.38
Club House Project	6733.00
Total Expenses	7137.76

Balances on hand, Sept 30, 2006	9601.99
--	----------------

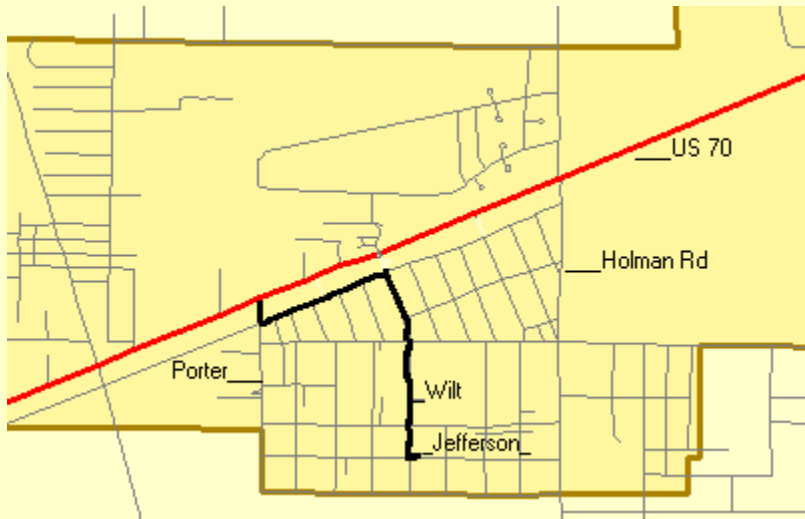
Ending Balances	
MVRC Checking Account	108.79
MVRC Savings Account	2123.55
MVRC 1 year CD	5000.00
Education Fund Account	2319.65
Cash on Hand	<u>50.00</u>
Balances Total	9601.99

Sandra Hempfling
Treasurer

Return to body of [Local Oscillator](#)

CLUB INFORMATION

The MVRC Clubhouse is located at the intersection of Wilt and Jefferson in Hacienda Heights. To find the clubhouse, set your destination on your GPS receiver as 32 degrees 22.961 minutes and -106 degrees 41.44 minutes. If you don't own a gps, take the Porter exit on US 70. It is about 5 miles from the I 25 interchange, near the firehouse. Almost immediately south of the south frontage road on the south side of US 70, turn left toward the mountains until you come to Wilt. Turn right. There is a jog in the road, but at 0.35 miles you should come to Jefferson. If you can't see the tower and beam, you shouldn't be driving. The treasurer would be delighted to receive your contribution for landscaping and furnishing.



Officers

Office	Name	Call	Phone	e-mail
President	Jack Lemons	N5PK	526-9428	n5pk@zianet.com
Vice-President	Tres Campbell	KD5HZI	373-2008	trscam@netscape.net
Secretary	Judy Davis	W5JRD	522-6833	judy@davis-domain.com
Treasurer	Sandra Hempfling	KJ5Q	373-1166	kj5q@arrl.net
Board Members	Alex. Burr	K5XY	522-2528	k5xy@arrl.net
	Bob Bennett	AD5LJ	382-0148	rbennett1@comcast.net
	John Beakley	WK5C	522-7078	wk5c@arrl.net
	Cash Olsen	KD5SSJ	382-1917	casholsen@zianet.com
	Joe San Filippo	WZ5R	521-7574	sanfilippo@zianet.com
	Brad Sacca	KC5SKE	382-4380	shiekyerbouty@msn.com

The newsletter is always looking for articles and notes of interest to the members of the Mesilla Valley Radio Club. Please send them to Alex. F. Burr, K5XY, Editor, MVRC Local Oscillator, 695 Stone Canyon Drive, Las Cruces, NM 88011. Small personal ads from members will also be published. It would be helpful if submissions would be made in a machine readable form. Windows readable disks are welcome. Files can also be sent to the Internet address k5xy@arrl.net. The club maintains a web site at <http://www.zianet.com/mvrc>.

JOIN THE CLUB

To join the Mesilla Valley Radio Club, renew your membership, or to support the repeaters, please print, cut out, and complete the form below. Send it with dues (\$35 single, \$45 family per year, add \$10 to receive the newsletter by US mail instead of e-mail) to: Treasurer, MVRC, Box 1443, Las Cruces, NM 88004.

Name	
------	--

Club Information

Box or street address	
City	
State	
Zip	
Call	
Class of license	
Phone	
e-mail	
ARRL Member?	

[Return to home page](#)

[Return to Local Oscillator first page](#)