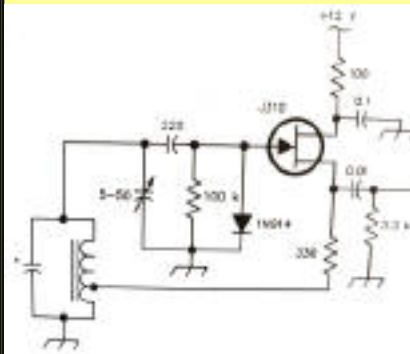


2006

Local Oscillator



August

Mesilla Valley Radio Club

A [pdf file](#) of this issue is available. It should print fairly easily. If you do not have the free pdf file reader, go to <http://www.adobe.com>

Coming Events

Table of Contents

| Date | Event | Time |
|-----------|--------------------------------|---------|
| Sun | CW Net 7.142 | 4:00PM |
| M - F | 6 m FM net 52.540 | 6:00AM |
| M - F | round-table 52.525 | 8:00PM |
| T, T | Informal Wal-Mart (E) | 10:00AM |
| M, W, F | Informal Wal-Mart (W) | 10:00AM |
| Mon | WTRA Swap net 146.88 | 8 PM |
| Wed | Net 146.64 | 6:45PM |
| Mon | YL Rise & Shine 449.9 | 8:30AM |
| Aug 5 | Breakfast - Club House | 8 AM |
| Aug 5 | Business meet - Club House | 9:15 AM |
| Aug 5 | Summer Fun Run - B V Park | |
| Aug 9 | Directors meeting - Club House | 7:00 PM |
| Aug 25-26 | Duke City hamfest | |
| Sept 2 | Alamogordo Hamfest | |
| Sept 8-10 | Technician Class - Club House | |
| Oct 27-29 | General Class - Club House | |

[COMING EVENTS](#)
[TABLE OF CONTENTS](#)
[PRESIDENT'S CORNER](#)
[FIELD DAY](#)
[AUGUST MEETING](#)
[T SHIRTS](#)
[INCOME/EXPENSE](#)
[BACK PAGE](#)



Race NCS

The space below is used for acknowledgements and maintaining the site.
Send comments, suggestions, and requests to [Alex. F. Burr](mailto:aburr@qzxservices.com) or send e-mail to [aburr @ qzxservices.com](mailto:aburr@qzxservices.com).
Technical assistance, net access, design, and maintenance provided by qzxservices.com

THE ARTICLES FOR THIS MONTH

PRESIDENT'S CORNER

N5PK

Hello all, trust all is well with you and yours. I am sorry to report the passing of Manny Blumkin, K5JEB, long time friend and supporter of our club as well as a long time personal friend of mine and of many of our members. He was in Austin TX at the moment of his passing and will be greatly missed by many folks here. Remember in your prayers, the family members who are sad and mourn their loss.

The most precious resource many of us enjoy is time. It seems there is scarcely enough time to go around for all the things we need to do and those things we like to do for family and others. Along that line, in June I received an unexpected call from Steve, WM5Z seeking three teams of volunteer communications help in support of the Grant County fire. With little effort, I was able to enlist three teams, two on each team to cover communication relay needs from a remote Red Cross shelter set up in a school into the event center in Silver City. Alex K5XY and Robert AD5LJ were team #1, Dave WA5DJJ and Larry K5LUI were team #2, Claude KE5ALP

and his grand father were team #3. Even though team #1 was the only team called out, it was very gratifying to me to find folks willing to give of their most important resource, TIME, for the help and benefit of others and to do so unselfishly. Thanks very much guys for making a difference.

My personal thanks to all those who participated in our field day event this year. We were small in numbers and mighty in performance. This was the first year that I've not called "CQ Field Day". It was different and at the same time rewarding to serve as coach to the GOTA station. I already look forward to next year, hoping the bands will be in better shape!

Hope to see each of you at the meeting on the 5th of August, stay safe

[Return to Table of Contents](#)

FIELD DAY

WA5DJJ

The Mesilla Valley Radio Club did very well on our Field Day outing on June 24th and 25th. Here is how the scores broke down. CW station had an even 200 Contacts. The HF phone station had 231 contacts. The VHF/UHF station had 18 contacts. The GOTA station had 157 contacts. Running all of this through the calculations gave us a total of 1,612 Contact points. The Bonus points were as follows:

- 100% emergency power (two stations) 200 points,
- Setup in a public place 100 Points,
- Information booth with displays 100 points,
- Copying the W1AW Field Day Message 100 points,
- Youth Participation (5 Operators under age 18) 100 points,
- GOTA BONUS (100 contacts by an operator with GOTA Coach) 200 points,
- Media Publicity for newspaper article in Las Cruces Bulletin 100 points,
- Submitted entry on the WEB 50 points.

Total Bonus points was 950 points.

Our Grand Total should be 2,562 if all our bonus points are credited.

Well done to the 25 operators that made this all happen. We got all the antennas up and down without one hangnail. We operated all the stations for the 24 hour periods with very little down time. I know there were some tired folks when the last vehicle left the field of honor but be proud that we met all the challenges and kept on going.

Now comes the planning for next year. Each of us who was there will have some ideas on how we can improve our operations and make it even smoother.

I do want to take this opportunity to praise the GOTA Station and their operators. They accounted for 157 HF contacts, 200 GOTA bonus points, and the youth operators got us another 100 bonus points. Their score alone was 614 points. That was a great start for the GOTA station under the new rules. I did feel sorry for the VHF/UHF station who was faithfully listening for that 6 meter opening that never really came. Maybe next time guys. You just never know how that one would have worked out. But it was good to know that we were ready if it had come. The HF CW and Phone stations hung in there and dug in to get the needed points with both new and old timers operating. The new ones learned some new tricks and the old-timers resurrected some of their old ones.

A Well Done goes to the antenna crew who practiced early in the game. It really helped to get all the antennas up on time and made the startup easy. My thanks to the operators who showed up in the wee hours of the morning and filled in the operator's schedules as that really kept us on the air. The weather held off until after every thing was done, packed up, and stored away. Just can't ask for anything better than that.

WELL DONE GANG!!!

(ED Note: Pictures of Field Day are at <http://mvrc.qzxservices.com/06fd.htm>)

[Return to Table of Contents](#)

AUGUST MEETING

KD5HZI

August guest speaker will be Bob Bennett. Bob will speak about wire antennas. Please bring your thoughts, questions and input. Thanks in advance Bob.

I thank all of you that have made a contribution to the monthly speaker in the past THANK YOU. I hope this is one of several good reasons to attend the monthly meeting. If you have a suggestion on a topic you would like to hear about, please contact me. If you would like to contribute time to be a speaker or presenter please do so.

[Return to Table of Contents](#)

T SHIRTS

KD5HZI

I still have some shirts that have not been picked up. They were ordered as requested. Please see me for pick up and payment. The shirts have been paid for by the club and we need your payment. The following are the call signs. N5XRP, KE5JWC, KE5ALP, KC5WCY, AD5NT, W0WGA.

[Return to Table of Contents](#)

INCOME/EXPENSE

Mesilla Valley Radio Club

June 1 through June 30

Income 276.05

Expense 139.13

For a more complete treasurer's report see the [I/E page](#).

[Return to Table of Contents](#)

Mesilla Valley Radio Club
Income/Expense
June 1 through June 30, 2006

| | | |
|------------------------|--|------------------------|
| Beginning Balances | | |
| MVRC Checking Account | | 4505.69 |
| MVRC Savings Account | | 4116.84 |
| MVRC 1 year CD | | 5000.00 |
| Education Fund Account | | 2491.03 |
| Cash on Hand | | <u>50.00</u> |
| Balances Total | | <u>16163.56</u> |

| | | |
|--------------------------|-------------|-----------------|
| Income | | |
| Breakfast & Drinks | 43.50 | |
| Equipment Sales | 160.00 | |
| Dues | 70.00 | |
| Interest Income | <u>2.55</u> | |
| Total Income | | <u>276.05</u> |
| Balances + Income | | 16439.61 |

| | | |
|----------------|-------|---------------|
| Expenses | | |
| Breakfast | 54.72 | |
| Club House | 14.44 | |
| Utilities | | |
| Electricity | 29.35 | |
| Telephone | 29.03 | |
| Water | 11.59 | |
| Total Expenses | | <u>139.13</u> |

| | | |
|--|--|------------------------|
| Balances on hand, June 30, 2006 | | <u>16300.48</u> |
|--|--|------------------------|

Ending Balances

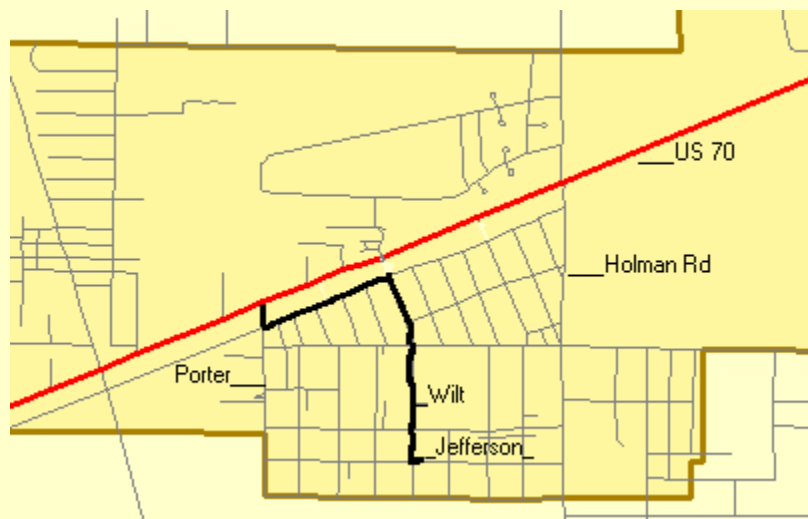
| | |
|------------------------|-----------------------|
| MVRC Checking Account | 4640.06 |
| MVRC Savings Account | 4119.39 |
| MVRC 1 year CD | 5000.00 |
| Education Fund Account | 2491.03 |
| Cash on Hand | 50.00 |
| Balances Total | <hr/> 16300.48 |

Sandra Hempfling
Treasurer

Return to body of [Local Oscillator](#)

CLUB INFORMATION

The MVRC Clubhouse is located at the intersection of Wilt and Jefferson in Hacienda Heights. To find the clubhouse, set your destination on your GPS receiver as 32 degrees 22.961 minutes and -106 degrees 41.44 minutes. If you don't own a gps, take the Porter exit on US 70. It is about 5 miles from the I 25 interchange, near the firehouse. Almost immediately south of the south frontage road on the south side of US 70, turn left toward the mountains until you come to Wilt. Turn right. There is a jog in the road, but at 0.35 miles you should come to Jefferson. If you can't see the tower and beam, you shouldn't be driving. The treasurer would be delighted to receive your contribution for landscaping and furnishing.



Officers

| Office | Name | Call | Phone | e-mail |
|----------------|------------------|--------|----------|--|
| President | Jack Lemons | N5PK | 526-9428 | n5pk@zianet.com |
| Vice-President | Tres Campbell | KD5HZI | 373-2008 | trscam@netscape.net |
| Secretary | Judy Davis | W5JRD | 522-6833 | judy@davis-domain.com |
| Treasurer | Sandra Hempfling | KJ5Q | 373-1166 | kj5q@arrl.net |
| Board Members | Alex. Burr | K5XY | 522-2528 | k5xy@arrl.net |
| | Bob Bennett | AD5LJ | 382-0148 | rbennett1@comcast.net |
| | John Beakley | WK5C | 522-7078 | wk5c@arrl.net |
| | Cash Olsen | KD5SSJ | 382-1917 | casholsen@zianet.com |
| | Joe San Filippo | WZ5R | 521-7574 | sanfilippo@zianet.com |
| | Brad Sacca | KC5SKE | 382-4380 | shiekyerbouty@msn.com |
| | | | | |

The newsletter is always looking for articles and notes of interest to the members of the Mesilla Valley Radio Club. Please send them to Alex. F. Burr, K5XY, Editor, MVRC Local Oscillator, 695 Stone Canyon Drive, Las Cruces, NM 88011. Small personal ads from members will also be published. It would be helpful if submissions would be made in a machine readable form. Windows readable disks are welcome. Files can also be sent to the Internet address k5xy@arrl.net. The club maintains a web site at <http://www.zianet.com/mvrc>.

JOIN THE CLUB

To join the Mesilla Valley Radio Club, renew your membership, or to support the repeaters, please print, cut out, and complete the form below. Send it with dues (\$35 single, \$45 family per year, add \$10 to receive the newsletter by US mail instead of e-mail) to: Treasurer, MVRC, Box 1443, Las Cruces, NM 88004.

| | |
|------|--|
| Name | |
|------|--|

| | |
|-----------------------|--|
| Box or street address | |
| City | |
| State | |
| Zip | |
| Call | |
| Class of license | |
| Phone | |
| e-mail | |
| ARRL Member? | |

[Return to home page](#)

[Return to Local Oscillator first page](#)