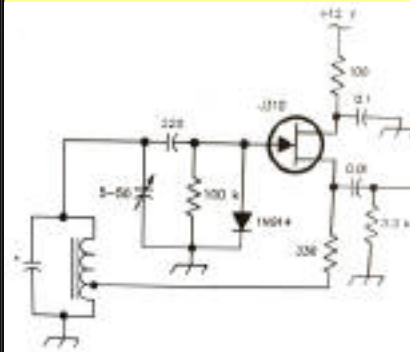


2006

# Local Oscillator



July

Mesilla Valley Radio Club

A [pdf file](#) of this issue is available. It should print fairly easily. If you do not have the free pdf file reader, go to <http://www.adobe.com>

## Coming Events

## Table of Contents

Date	Event	Time
Sun	CW Net 7.142	4:00PM
M - F	6 m FM net 52.540	6:00AM
M - F	round-table 52.525	8:00PM
T, T	Informal Wal-Mart (E)	10:00AM
M, W, F	Informal Wal-Mart (W)	10:00AM
Mon	WTRA Swap net 146.88	8 PM
Wed	Net 146.64	6:45PM
Mon	YL Rise & Shine 449.9	8:30AM
July 1	NO Breakfast - Club House	8 AM
July 1	NO Business meet - Club House	9:15 AM
July 5	Directors meeting - Club House	7:00 PM
July 4	Race - Burn Lake	
July 15	River Run 6K	
July 22	Burn Lake Duathlon	
July 29	Pioneer Day Run - F&R Museum	
Aug 5	Summer Fun Run - B V Park	
Aug 25-26	Duke City hamfest	
Sept 2	Alamogordo Hamfest	
Sept 8-10	Technician Class - Club House	
Oct 27-29	General Class - Club House	

[COMING EVENTS](#)  
[TABLE OF CONTENTS](#)  
[FIELD DAY](#)  
[JUNE 2006 BUSINESS MEETING](#)  
[JUNE 2006 BOARD MEETING](#)  
[INCOME/EXPENSE](#)  
[BACK PAGE](#)



# AD5LJ helping Red Cross

The space below is used for acknowledgements and maintaining the site.  
Send comments, suggestions, and requests to [Alex. F. Burr](mailto:aburr@qzxservices.com) or send e-mail to [aburr @ qzxservices.com](mailto:aburr@qzxservices.com).

Technical assistance, net access, design, and maintenance provided by [qzxservices.com](http://qzxservices.com)

## THE ARTICLES FOR THIS MONTH

### FIELD DAY K5XY

Field Day was a success, although I do not know how many contacts were made. Lots of visitors. More complete report next month. Some pictures available in the middle of July. Very little submitted to the Local oscillator.

[Return to Table of Contents](#)

### MINUTES OF JUNE 2006 BUSINESS MEETING KJ5Q for W5JRD

The MVRC met at the clubhouse on June 3, 2006 for the regular business meeting. The meeting was called to order by President Jack Lemons N5PK at 9:10 AM. A quorum was present. Members introduced themselves and Tim O'Donnell N5TJO, president of the Silver City radio club and Floyd KD6HTT and Evelyn KE6KML Gore were welcomed as guests.

#### Reports:

The minutes of the last meeting were approved as printed in the Local Oscillator.

The treasurer's report was given with a total of \$16,163.56 in all accounts as of May 31, 2006. Current membership is 89.

Field Day - Jack N5PK reminded members that help is still needed for field day and that it is a lot of fun to work. Bob Bennett AD5LJ announced that antenna practice parties for field day will be held on June 17 at the clubhouse and setup will be early on Saturday June 24. Saturday night at field day will have a brisket and trimmings dinner.

Races – Several people are needed for the race on July 4.

T-shirts – Tres announced that he will take a one-time order for corrected bean feed t-shirts. Please see him after the meeting.

#### Business:

It was decided by consensus that no breakfast and business meeting will be held in July.

Jack N5PK reported that the renewal of the club as a Special Service Club by ARRL has been completed.

After discussion, members agreed that the 76 repeater was open to all amateurs as long as they were not conducting commercial business and this includes an amateur rocket club from California.

Bob Bennett AD5LJ asked that 4 or 5 people help load some equipment after the meeting.

The meeting was adjourned at 9:47 AM.

A program about amateur satellites was presented by Alex Burr K5XY.

[Return to Table of Contents](#)

## MINUTES OF JUNE 2006 BOARD OF DIRECTORS MEETING

W5JRD

KJ5Q for W5JRD

Board members in attendance were:

Jack Lemons N5PK

Bob Bennett AD5LJ

Cash Olsen KD5SSJ

Joe San Filippo WZ5R

Sandy Hempfling KJ5Q

President Jack Lemons called the meeting to order at 7:15 pm.

The minutes of the previous board meeting were approved as circulated in the Local Oscillator. The treasurer's report was given with a balance of \$16,163.56 in all accounts.

Jack reported that the ARRL Special Service Club has been renewed and the club call sign will need to be renewed yet this year.

The Board agreed that used equipment could be listed for sale on Dave Hassell's WA5DJJ web page.

Joe WZ5R reminded members of the class scheduled for September and that instructors will be needed.

Bob AD5LJ announced the antenna part on Saturday, June 17 to practice for field day and that antennas will be put up on-site early on Saturday, June 24.

Much cable has accumulated at the club house. It will be published that members can pick up any for free and that which is left will be hauled away. Minor fixups around the club house will be scheduled when weather is cooler. It was decided to repair the tables in the club house by replacing the tops. To help make the club house handicap accessible, members will construct a ramp at the front door. It was also discussed for consideration to lower the

meeting room ceiling, put acoustic tile on the walls, and tile the floor. It was decided to approach this project one thing at a time and see what improvement was made for hearing during club meetings.

Meeting was adjourned at 8:15 pm.

[Return to Table of Contents](#)

#### INCOME/EXPENSE

Mesilla Valley Radio Club

March 1 through March 31, 2006

Income 2416.04

Expense 103.44

For a more complete treasurer's report see the [I/E page](#).

[Return to Table of Contents](#)

**Mesilla Valley Radio Club**  
**Income/Expense**  
**May 1 through May 31, 2006**

Beginning Balances		
MVRC Checking Account		2195.38
MVRC Savings Account		9114.55
Education Fund Account		2491.03
Cash on Hand		<u>50.00</u>
<b>Balances Total</b>		<u><b>13850.96</b></u>

Income

50-50 Prize	55.50	
Bean Feed (food +)	669.00	
Breakfast & Drinks	87.00	
Equipment Sales	1157.25	
Dues	390.00	
Newsletter\$	10.00	
Tshirt Sales	45.00	
Interest Income	<u>2.29</u>	
Total Income		<u>2416.04</u>

**Balances + Income** **16267.00**

Expenses

Bean Feed	-78.30
Breakfast	66.78
Misc	50.15
Utilities	
Electricity	23.52
Telephone	30.08
Water	11.21

Total Expenses	<u>103.44</u>
<b>Balances on hand, April 30, 2006</b>	<b><u>16163.56</u></b>
Ending Balances	
MVRC Checking Account	4505.69
MVRC Savings Account	4116.84
MVRC 1 year CD	5000.00
Education Fund Account	2491.03
Cash on Hand	<u>50.00</u>
<b>Balances Total</b>	<b><u>16163.56</u></b>

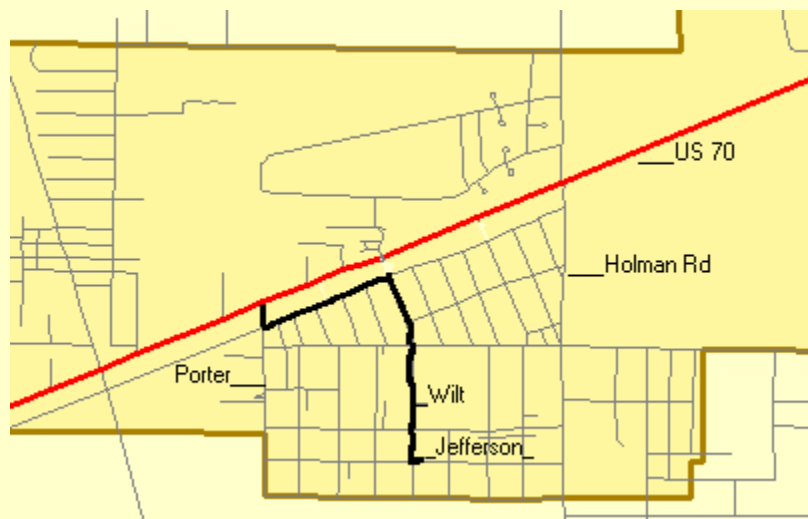
Sandra Hempfling  
Treasurer

Return to body of [Local Oscillator](#)



## CLUB INFORMATION

The MVRC Clubhouse is located at the intersection of Wilt and Jefferson in Hacienda Heights. To find the clubhouse, set your destination on your GPS receiver as 32 degrees 22.961 minutes and -106 degrees 41.44 minutes. If you don't own a gps, take the Porter exit on US 70. It is about 5 miles from the I 25 interchange, near the firehouse. Almost immediately south of the south frontage road on the south side of US 70, turn left toward the mountains until you come to Wilt. Turn right. There is a jog in the road, but at 0.35 miles you should come to Jefferson. If you can't see the tower and beam, you shouldn't be driving. The treasurer would be delighted to receive your contribution for landscaping and furnishing.



## Officers

Office	Name	Call	Phone	e-mail
President	Jack Lemons	N5PK	526-9428	<a href="mailto:n5pk@zianet.com">n5pk@zianet.com</a>
Vice-President	Tres Campbell	KD5HZI	373-2008	<a href="mailto:trscam@netscape.net">trscam@netscape.net</a>
Secretary	Judy Davis	W5JRD	522-6833	<a href="mailto:judy@davis-domain.com">judy@davis-domain.com</a>
Treasurer	Sandra Hempfling	KJ5Q	373-1166	<a href="mailto:kj5q@arrl.net">kj5q@arrl.net</a>
Board Members	Alex. Burr	K5XY	522-2528	<a href="mailto:k5xy@arrl.net">k5xy@arrl.net</a>
	Bob Bennett	AD5LJ	382-0148	<a href="mailto:rbennett1@comcast.net">rbennett1@comcast.net</a>
	John Beakley	WK5C	522-7078	<a href="mailto:wk5c@arrl.net">wk5c@arrl.net</a>
	Cash Olsen	KD5SSJ	382-1917	<a href="mailto:casholsen@zianet.com">casholsen@zianet.com</a>
	Joe San Filippo	WZ5R	521-7574	<a href="mailto:sanfilippo@zianet.com">sanfilippo@zianet.com</a>
	Brad Sacca	KC5SKE	382-4380	<a href="mailto:shiekyerbouty@msn.com">shiekyerbouty@msn.com</a>

The newsletter is always looking for articles and notes of interest to the members of the Mesilla Valley Radio Club. Please send them to Alex. F. Burr, K5XY, Editor, MVRC Local Oscillator, 695 Stone Canyon Drive, Las Cruces, NM 88011. Small personal ads from members will also be published. It would be helpful if submissions would be made in a machine readable form. Windows readable disks are welcome. Files can also be sent to the Internet address [k5xy@arrl.net](mailto:k5xy@arrl.net). The club maintains a web site at <http://www.zianet.com/mvrc>.

### JOIN THE CLUB

To join the Mesilla Valley Radio Club, renew your membership, or to support the repeaters, please print, cut out, and complete the form below. Send it with dues (\$35 single, \$45 family per year, add \$10 to receive the newsletter by US mail instead of e-mail) to: Treasurer, MVRC, Box 1443, Las Cruces, NM 88004.

Name	
------	--

Box or street address	
City	
State	
Zip	
Call	
Class of license	
Phone	
e-mail	
ARRL Member?	

[Return to home page](#)

[Return to Local Oscillator first page](#)