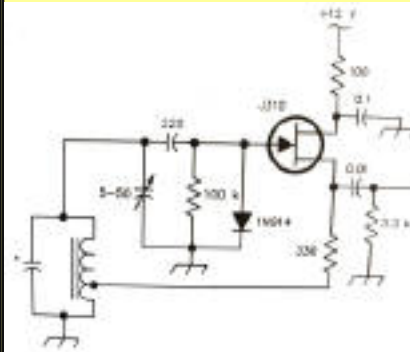


2006

Local Oscillator



June

Mesilla Valley Radio Club

A [pdf file](#) of this issue is available. It should print fairly easily. If you do not have the free pdf file reader, go to <http://www.adobe.com>

Coming Events

Table of Contents

Date	Event	Time
Sun	CW Net 7.142	4:00PM
M - F	6 m FM net 52.540	6:00AM
M - F	round-table 52.525	8:00PM
T, T	Informal Wal-Mart (E)	10:00AM
M, W, F	Informal Wal-Mart (W)	10:00AM
Mon	WTRA Swap net 146.88	8 PM
Wed	Net 146.64	6:45PM
Mon	YL Rise & Shine 449.9	8:30AM
April 27	Technight - Club House	7:00 PM
Apr 29	Albuquerque Tailgate	
Apr 30	Bean Feed - Club House	
June 3	Breakfast - Club House	8 AM
June 3	Business meet - Club House	9:15 AM
June 7	Directors meeting - Club House	7:00 PM
June 10	Technight - Club House	7:00PM
June 9-11	Rocky Mountain Hamconvention www.hamconcolorado.org	
June 22	Technight - Club House	7:00PM
June 24-25	Field Day	
July 4	Race - Burn Lake	
July 15	River Run 6K	
July 22	Burn Lake Duathlon	

COMING EVENTS
TABLE OF CONTENTS
PRESIDENT'S NOTES
FIELD DAY
TECHNIGHT
BEAN FEED
OPERATING EVENTS
JUNE PROGRAM
RACES
MAY 2006 BUSINESS MEETING
MAY 2006 BOARD MEETING
INCOME/EXPENSE
BACK PAGE

July 29	Pioneer Day Run - F&R Museum	
Aug 5	Summer Fun Run - B V Park	
Aug 25-26	Duke City hamfest	
Sept 2	Alamogordo Hamfest	
Sept 8-10	Technician Class - Club House	
Oct 27-29	General Class - Club House	



Beans

The space below is used for acknowledgements and maintaining the site.
Send comments, suggestions, and requests to [Alex. F. Burr](mailto:aburr@qzxservices.com) or send e-mail to aburr @ qzxservices.com.

Technical assistance, net access, design, and maintenance provided by qzxservices.com

THE ARTICLES FOR THIS MONTH

PRESIDENT'S NOTES

N5PK

Good to see everyone at the last meeting, to greet each one present and to welcome our visitors to the meeting. If you didn't make the meeting you missed an interesting program on power points, a good way to standardize all of our D.C. power connections for both portable and home use. As with most projects, care is required to properly assemble them, exercising due care as regards to the right polarity.

June will be a rather busy time for the MVRC as all the preparation for field day gathers steam. Make plans early on to set aside time in your schedule to help us prepare for this very important event. This is the only time during the year that is set aside specifically for us to hone our skills in preparation for a full scale emergency should one occur in our area. We need your help if we are to be successful. I'm sure that Bob and Dave will have more to say on this subject in greater detail in this L.O.

Some will be going to the Cloudcroft area immediately following our meeting to attend the tail gate/swap meet at the Chimney Springs Church Camp. Bring side dishes and a desert if you need something sweet. The meat will be furnished by the folks there. This is a good time of fellowship in the cool pines, attend if you can. I will be going to HamCom again this year in Plano Tx on the 9th and 10th, so I will be out of pocket a few days.

Several of our members will be going out of town for the 4th of July weekend so we will need to decide at the June meeting if we should cancel our meeting in July or not. Come and let's visit about what would be the best course of action for all of us. Typically, the December meeting is canceled because the major part of our business is completed for the year in November and our final order of business is the Christmas party.

The year is half gone and we've still business to take care of. Our station licensee and the ARRL Special Service Club designations are due to be renewed before year's end as well as the scholarship selection award followed by the nomination of officers for the coming year in October and the election of those in November. Seems like there just isn't enough time! There are still a few folks who haven't sent their dues in. Please see to this as promptly as you can. I hope to see you at the meeting. Meanwhile use due care and stay out of harm's way.

[Return to Table of Contents](#)

FIELD DAY

WA5DJJ

The count down to June 24th and 25th is now under way. Time to start fleshing out our stations. There

will be an antenna Practice Session at the Clubhouse on May 27th for the antenna Crew. If you signed up for that one you need to be there. The phone station will be in Rodney's Motor home and will be the focus of the HF PHONE station. They will have a Triband Beam and a dipole or two to give them full 80 through 10 meter coverage. If you have not operated a station like that, now is your chance. We still need operators and Loggers for this station to provide full 24 hour coverage from Noon on the 24th to Noon on the 25th.

The CW Station will be in Richard KC5EVR's Motor home. There is at this time not enough CW operators to fill this station out for a full 24 hour operation. But we may drop a class and operate 2A class and combine the CW and PSK operation into this station. This procedure will save some operator and logger needs.

The VHF/UHF station will be in Tres Cambel's Trailer and the operations on those bands is usually sporadic. But you never can tell when the VHF bands will open or for how long. Thus a need for constant monitoring for activity. One has to be ready to jump in and get as many contacts as you can while the band is open. Club members who are not operating with us can give us a contact point by calling us on 146.55 simplex on the hour. We will try to have someone there at the top of the hour. This could mean a pretty good score if our club members gave us a call.

The GOTA station rules have changed this year and I really need someone to be the GOTA coach. The GOTA coach is a person that helps visiting operators use the GOTA station to make their contacts. If a visiting operator on the GOTA station makes 50 contacts we get 50 points. If there is a GOTA COACH helping then the points double. This can be for a maximum of 5 GOTA Operators and up to 100 contacts for each operator. I am planning to keep the GOTA station active from noon on Saturday to about 7 or 8 pm and then start again on Sunday morning about 9 AM until noon on Sunday. If you want to help newbies get on the air contact WA5DJJ.(Dave Hassall WA5DJJ phone 505-532-1351 email: dhassall@zianet.com)

Plan to come by a visit. Come to operate a shift or two as a logger or an operator. Come and see what we can really do when we all work together. SEE YOU ALL AT FIELD DAY.

Missouri Avenue across the street from Domios Pizza. June 24 and 25th. Setup will start Friday Evening June 23rd and teardown will be Sunday afternoon.

[Return to Table of Contents](#)

TECHNIGHT WA5DJJ

The count down to June 24th and 25th is now under way. Time to start fleshing out our stations. There will be an antenna Practice Session at the Clubhouse on May 27th for the antenna Crew. If you signed up for that one you need to be there. The phone station will be in Rodney's Motor home and will be the focus of the HF PHONE station. They will have a Triband Beam and a dipole or two to give them full 80 through 10 meter coverage. If you have not operated a station like that, now is your chance. We still need

operators and Loggers for this station to provide full 24 hour coverage from Noon on the 24th to Noon on the 25th.

The CW Station will be in Richard KC5EVR's Motor home. There is at this time not enough CW operators to fill this station out for a full 24 hour operation. But we may drop a class and operate 2A class and combine the CW and PSK operation into this station. This procedure will save some operator and logger needs.

The VHF/UHF station will be in Tres Cambel's Trailer and the operations on those bands is usually sporadic. But you never can tell when the VHF bands will open or for how long. Thus a need for constant monitoring for activity. One has to be ready to jump in and get as many contacts as you can while the band is open. Club members who are not operating with us can give us a contact point by calling us on 146.55 simplex on the hour. We will try to have someone there at the top of the hour. This could mean a pretty good score if our club members gave us a call.

The GOTA station rules have changed this year and I really need someone to be the GOTA coach. The GOTA coach is a person that helps visiting operators use the GOTA station to make their contacts. If a visiting operator on the GOTA station makes 50 contacts we get 50 points. If there is a GOTA COACH helping then the points double. This can be for a maximum of 5 GOTA Operators and up to 100 contacts for each operator. I am planning to keep the GOTA station active from noon on Saturday to about 7 or 8 pm and then start again on Sunday morning about 9 AM until noon on Sunday. If you want to help newbies get on the air contact WA5DJJ.

(Dave Hassall WA5DJJ phone 505-532-1351 email: dhassall@zianet.com)

Plan to come by a visit. Come to operate a shift or two as a logger or an operator. Come and see what we can really do when we all work together. SEE YOU ALL AT FIELD DAY.

Missouri Avenue across the street from Dominos Pizza. June 24 and 25th. Setup will start Friday Evening June 23rd and teardown will be Sunday afternoon.

[Return to Table of Contents](#)

BEAN FEED

K5XY

The 40th edition of the Bean Feed was held, as usual, on the last Sunday in April, April 30. All the parking spaces near the club house were taken by 8 AM and the overflow parking across the street was well used. Well before 11 AM, there was a long line out the door of people waiting to be fed the beans and other food.

There were two large commercial vendors, Rad Comm and Southwest Antennas as well as some smaller, more specialized vendors. Some people complained that boat anchors were not moving very well but the club received more than \$1000 from the sale of donated and surplus equipment.

Sixty-six tickets were sold, as well as about fifty commemorative mugs. Door prizes were won by AB5TZ, Al Hand, KF5CC, Jim Gillis, KD5SSH, Cash Olsen, WA2NIJ, Jim Leverett, and KC5HFJ,

Perry Welch.

A number of pictures are available on the web at <http://mvrc.qzxservices.com/06beanfeed.htm> illustrating the talk-in arrangements, tailgate activity, and, of course, food.

[Return to Table of Contents](#)

OPERATING EVENTS

KD5HZI

On another subject ARRL Field day is coming. Several steps are in place for a successful weekend. Two weekend antenna check out parties and then the big week end at the end of June. On this week end we need more operators. Please contact a board member and volunteer some time. It will be well spent.

[Return to Table of Contents](#)

JUNE PROGRAM

KD5HZI

The June program will feature a talk on satellite contacts. More specifically on the low earth orbit satellites, particularly the FM ones. Learn about the equipment required, the operating techniques required, and the people involved. the presentation will be given by K5XY.

[Return to Table of Contents](#)

RACES

N5PK

The month of July and part of August will be a busy race time for the Mesilla Valley Track Club. Don Shepan, KB5VLH, has provided a timely reminder. Please mark your calendar and if you are available. George and I will be calling for your continued support, which is always appreciated. The following is a synopsis of Don's most recent notes to me:

July 4 (Independence Day Run) will occur at Burn Lake parking lot on north side of the wet spot. Needs quite a few people.

River Run 8K. Starts at Picacho Bridge. South 4K on trail to point south of interstate bridge and return to start. Need maybe 6 people at most. July 15.

Burn Lake Duathlon. I do not know whether you have helped on that one ever. I think that CLC provides all of their own support. (Don will verify). July 22.

Pioneer Day starts at the big arroyo inside Farm & Ranch Museum. I do not think you have ever done that one either. Let me verify. July 29.

Summer Fun starts at La Buena Vida park north of University and east of MMC Hospital. Two courses are out and back on University (to the White Antenna Tower) and return (5k). Second is out of back on University to point about 1.5 miles behind A-Mountain and return to Park (10k). Aug 05.

Regards, Don"

We try to use 146.55 simplex to avoid interference on the National Simplex frequency of 146.52, and may use the 146.64 repeater on Twin Peaks (East Mesa) if it is needed. The 146.84 remains off the air. Thank you for your support.

[Return to Table of Contents](#)

MINUTES OF MAY 2006 BUSINESS MEETING KJ5Q

The MVRC met at the clubhouse on May 6, 2006 for the regular business meeting. The meeting was called to order by President Jack Lemons (N5PK) at 9:20 am. Visitors were welcomed and members introduced themselves.

Reports:

Judy Davis (W5JRD) Secretary – Minutes of the last meeting were read and approved as read.

Sandra Hempfling (KJ5Q) Treasurer – There is a total of \$13,850.95 in all accounts as of April 30, 2006. So far the Bean Feed has netted \$716.22. A final total will be reported after all expenses have been paid and outstanding equipment payments are paid. Member rosters were handed out. Current membership is 88.

Dave Hassall (WA5DJJ) – Tech night on May 11 will cover Field Day orientation. 144 volunteers are needed for operating and logging for Field Day on May 24th and 25th. The Field Day site is at the corner of Missouri and Don Roser.

Bob Bennett (AD5LJ) The antenna crew for Field Day is complete. There will be several practice runs and planning meetings prior to Field Day.

Two representatives from Search and Rescue gave a brief talk on their work and future plans. Both plan to obtain Amateur licenses.

The meeting was adjourned at 10:00 am

A program on Anderson Power Poles was presented by Karl Larsen (K5DI).

[Return to Table of Contents](#)

MINUTES OF MAY 2006 BOARD OF DIRECTORS MEETING W5JRD

Board members in attendance were:

- Jack Lemons (N5PK)
- Tres Campbell (KD5ZHI)
- Sandra Hempfling (KJ5Q)
- Judy Davis (W5JRD)
- John Beakley (WK5C)
- Cash Olsen (KD5SSJ)
- Alex Burr (K5XY)
- Joe San Filippo (WZ5R)
- Bob Bennett (AD5LJ)
- Brad Sacca (KC5SKE)

Reports:

Judy Davis (W5JRD) Secretary – Minutes of the last meeting were read and approved as read.

The minutes were read by Judy Davis and approved as read.

Sandra Hempfling read the treasure's report - The club has \$13,850.97 in all accounts as of April 30, 2006. The report was accepted. We now have 89 Members. It was approved by consensus to transfer \$5000 from our savings account to a Certificate of Deposit.

John Beakley - There are no races presently scheduled until July 4th.

Bob Bennett – There will be an inventory at the club house on May 27th for Field Day equipment.

Alex Burr - Pictures from the Bean Feed are available for viewing on the club web site. Alex will write an article on the Bean Feed for the LO.

Brad Sacca – Volunteers are needed to help move into the new county building.

Joe San Filippo – Flyers are being distributed for the General and Extra Class training courses planned for the October/November time frame.

Tres Campbell – Bean Feed shirts and mugs are still available for purchase.

Jack Lemons - It will be decided at the June meeting whether to have a July meeting since it falls near the July 4th holiday.

The Meeting was adjourned at 8:00 pm.

[Return to Table of Contents](#)

INCOME/EXPENSE

Mesilla Valley Radio Club

March 1 through March 31, 2006

Income 636.88

Expense 771.62

For a more complete treasurer's report see the [I/E page](#).

[Return to Table of Contents](#)

Mesilla Valley Radio Club
Income/Expense
April 1 through April 30, 2006

Beginning Balances		
MVRC Checking Account		2332.45
MVRC Savings Account		9112.23
Education Fund Account		2491.03
Cash on Hand		<u>50.00</u>
Balances Total		<u>13985.71</u>

Income			
Bean Feed (food +)	64.50		
Breakfast & Drinks	80.06		
Equipment Sales	375.00		
Dues	115.00		
Interest Income	2.32		
Total Income		<u>636.88</u>	
Balances + Income			14622.59

Expenses			
Bean Feed	672.74		
Breakfast	14.00		
Utilities			
Electricity	28.04		
Propane	19.25		
Telephone	26.32		
Water	11.27		
Total Expenses		<u>771.62</u>	

Balances on hand, April 30, 2006	<u>13850.97</u>
---	------------------------

Ending Balances

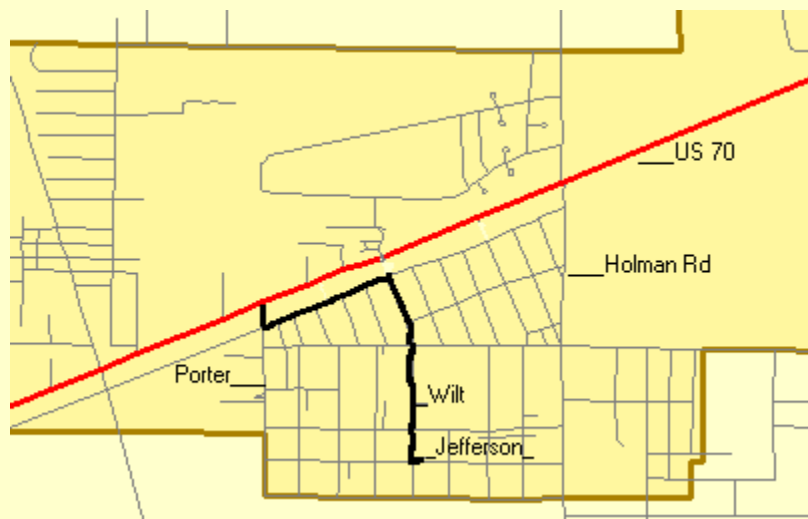
MVRC Checking Account	2195.39
MVRC Savings Account	9114.55
Education Fund Account	2491.03
Cash on Hand	50.00
Balances Total	<u>13850.97</u>

Sandra Hempfling
Treasurer

Return to body of [Local Oscillator](#)

CLUB INFORMATION

The MVRC Clubhouse is located at the intersection of Wilt and Jefferson in Hacienda Heights. To find the clubhouse, set your destination on your GPS receiver as 32 degrees 22.961 minutes and -106 degrees 41.44 minutes. If you don't own a gps, take the Porter exit on US 70. It is about 5 miles from the I 25 interchange, near the firehouse. Almost immediately south of the south frontage road on the south side of US 70, turn left toward the mountains until you come to Wilt. Turn right. There is a jog in the road, but at 0.35 miles you should come to Jefferson. If you can't see the tower and beam, you shouldn't be driving. The treasurer would be delighted to receive your contribution for landscaping and furnishing.



Officers

Office	Name	Call	Phone	e-mail
President	Jack Lemons	N5PK	526-9428	n5pk@zianet.com
Vice-President	Tres Campbell	KD5HZI	373-2008	trscam@netscape.net
Secretary	Judy Davis	W5JRD	522-6833	judy@davis-domain.com
Treasurer	Sandra Hempfling	KJ5Q	373-1166	kj5q@arrl.net
Board Members	Alex. Burr	K5XY	522-2528	k5xy@arrl.net
	Bob Bennett	AD5LJ	382-0148	rbennett@zianet.com
	John Beakley	WK5C	522-7078	wk5c@arrl.net
	Cash Olsen	KD5SSJ	382-1917	casholsen@zianet.com
	Joe San Filippo	WZ5R	521-7574	sanfilippo@zianet.com
	Brad Sacca	KC5SKE	382-4380	shiekyerbouty@msn.com

The newsletter is always looking for articles and notes of interest to the members of the Mesilla Valley Radio Club. Please send them to Alex. F. Burr, K5XY, Editor, MVRC Local Oscillator, 695 Stone Canyon Drive, Las Cruces, NM 88011. Small personal ads from members will also be published. It would be helpful if submissions would be made in a machine readable form. Windows readable disks are welcome. Files can also be sent to the Internet address k5xy@arrl.net. The club maintains a web site at <http://www.zianet.com/mvrc>.

JOIN THE CLUB

To join the Mesilla Valley Radio Club, renew your membership, or to support the repeaters, please print, cut out, and complete the form below. Send it with dues (\$35 single, \$45 family per year, add \$10 to receive the newsletter by US mail instead of e-mail) to: Treasurer, MVRC, Box 1443, Las Cruces, NM 88004.

Name	
------	--

Club Information

Box or street address	
City	
State	
Zip	
Call	
Class of license	
Phone	
e-mail	
ARRL Member?	

[Return to home page](#)

[Return to Local Oscillator first page](#)