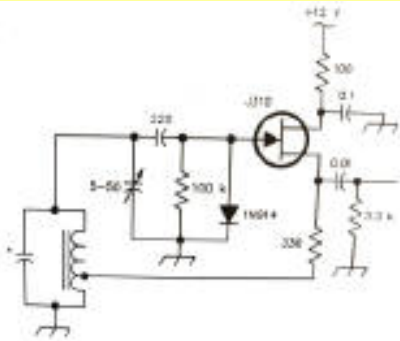
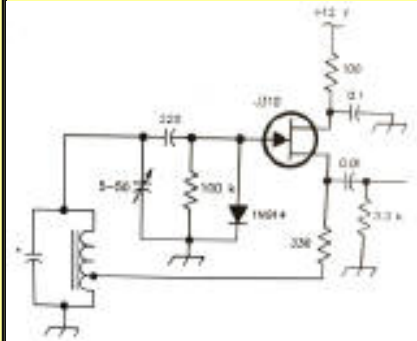


# Local Oscillator



2006

Mesilla Valley Radio Club



May

A [pdf file](#) of this issue is available. It should print fairly easily. If you do not have the free pdf file reader, go to <http://www.adobe.com>

## Coming Events

## Table of Contents

Date	Event	Time	
Sun	CW Net 7.142	4:00PM	COMING EVENTS
M - F	6 m FM net 52.540	6:00AM	TABLE OF CONTENTS
M - F	round-table 52.525	8:00PM	<a href="#">PRESIDENT'S NOTES</a>
T, T	Informal Wal-Mart (E)	10:00AM	<a href="#">FIELD DAY</a>
M, W, F	Informal Wal-Mart (W)	10:00AM	<a href="#">BATAAN DEATH MARCH</a>
Mon	WTRA Swap net 146.88	8 PM	<a href="#">TRIATHLON</a>
Wed	Net 146.64	6:45PM	<a href="#">TECHNIGHT</a>
Mon	YL Rise & Shine 449.9	8:30AM	<a href="#">MS WALK</a>
April 27	Technight - Club House	7:00 PM	<a href="#">MAY PROGRAM</a>
Apr 29	Albuquerque Tailgate		<a href="#">HORSE RACE</a>
Apr 30	Bean Feed - Club House		<a href="#">CLASS</a>
May 6	Breakfast - Club House	8 AM	<a href="#">APRIL 2006 BUSINESS MEETING</a>
May 6	Business meet - Club House	9:15 AM	<a href="#">INCOME/EXPENSE</a>
May 6	Grant county hamfest		<a href="#">BACK PAGE</a>
May 10	Directors meeting - Club House	7:00 PM	
May 11	Technight - Club House	7:00PM	
May 25	Technight - Club House	7:00PM	
June 9-11	Rocky Mountain Hamconvention <a href="http://www.hamconcolorado.org">www.hamconcolorado.org</a>		
June 24-25	Field Day		
Aug 25-26	Duke City hamfest		
Sept 2	Alamogordo Hamfest		
Sept 8-10	Technician Class - Club House		





# KOKDT 40m beam

The space below is used for acknowledgements and maintaining the site.

Send comments, suggestions, and requests to [Alex. F. Burr](mailto:aburr@qzxservices.com) or send e-mail to aburr @ qzxservices.com.

Technical assistance, net access, design, and maintenance provided by [qzxservices.com](http://qzxservices.com)

## THE ARTICLES FOR THIS MONTH

### PRESIDENT'S NOTES

N5PK

The past week marked the passing of a faithful member of the MVRC, a sometimes confidant of mine, long time good friend and character, Art Trout. Art always mixed, mingled and moved among us in a quite and gentlemanly manner and we will miss him sorely. Those of you of Faith need to continue to keep Jody in your prayers.

By the time you receive this months Local Oscillator, the Bean Feed will be upon us. This will be the 40th anniversary of the Bean Feed and I encourage everyone in the Amateur community member and non-member alike to support this event. There will be 40th anniversary coffee mugs and a few special tee shirts offered for sale to commemorate the occasion. Bring your treasures and let's do some trading and swapping, Hope to see you here, on the 30th of April, "y'all come, hear".

You may know already but just in case you didn't get the word, the classes for General Class upgrade has been canceled as was the earlier Tech class. On the current schedule, there are only two other opportunities for classes which will be offered if there is sufficient interest. Those being, first a class for Technician early this fall followed a bit later by a class for General. We of the MVRC do this as a service to our members and the community as well, so if you have interest in these classes, sign up for them as soon as the dates are announced so planning to accommodate you can begin. We've got to do better in this area of training and enlisting volunteer communicators

There are some members from last year who for one reason or another haven't paid their dues for 2006. Please be prompt in sending your dues in so we can continue those activities deemed important to the life of our club. We need your help in reaching out to new members as well, I'm sure you have ham friends you could encourage to join with us, some may have been members in the past, Let's try real hard, OK! Thanks to the MVRC and its Officers and Directors for your support.

[Return to Table of Contents](#)

### FIELD DAY

WA5DJJ

Field Day Planning is in progress:

Field day on June 24th and 25th 2006 are continuing. I still need more operators and loggers to get signed up and still need some equipment. I have one camper for the CW station but need one for the Phone station, VHF/UHF Station, and GOTA Station. Generators are still in short supply and hopefully that will get solved as we get closer to June.

There is planning in progress for a display area in the front of our operation for visitors to sign in and look at our displays, both static and active.

This usually gives our field day site a wider appeal. I am looking for some folks to be the "Greeters" and also some to shepherd people in the GOTA station. CW operators are also in short supply. But hopefully we can overcome this before June. Special operations like a Natural Power station and the Satellite station also have to be manned and setup. So, there is still a lot of work to do and A lot more folks needed.

To get your name on the list Contact me at 505-532-1351 or on email at dhassall@zianet.com. Let's all get behind this effort to make it a great field day.

[.Return to Table of Contents](#)

## BATAAN DEATH MARCH KD5OHA

On March 26, twenty members of the Mesilla Valley Radio Club met at the White Sands Missile Range at four o'clock in the morning to proceed to their assigned station to help provide communications for the seventeenth annual Bataan Memorial Death March. This year there were two different routes as a commemorative 15-mile route had been added. The regular route went the usual 26.2 miles. The event started at 6 AM with the call to Colors followed by the Star Spangled Banner. Some of the survivors of the real Bataan Death March were introduced. A cannon was fired and the marchers were off at 6:30.

There were approximately 3900 participants. Two hundred eighty took the 15-mile route and the rest took the 26.2-mile route.

A big thank you to Tres, KD5ZHI, who helped me at the start finish line. Also a big thanks to Marnie, KA2FVO, and Jim WA2NIJ at water point 1; Steve, WM5Z, Val, KD5ZGY at water point 2; Dennis, WB5TPV at water point 2A; Sandy, KJ5Q, and John N5WQ at water 3 and 9; Charlotte, KC5KWI, and Bill, W5UMQ, at water point 4 and 8; Henry, AD5FE at water point 5; Dave, WA5DJJ, and J. O., KE4ALO, at water point 6; Dave, W7DZG, and Mel, KE5EMO at water point7; Brad KC5SKE, and Jenny at water point 10; Karl, K5DI at water point 11; Jack, N5PK, at water point 12.

The first runner crossed the finish line in 2 hours and 31 minutes. The last two teams came across the finish line a little after 9 PM.

Thanks to all for putting in such a long day. Also a big thanks is sent to all from Sue Staab, who coordinated this event for White Sands.

[.Return to Table of Contents](#)

## TRIATHLON WK5C

The MVRC supported the MVTC NMSU Triathlon on Sunday, April 02, 2006.

Fourteen hams provided radio assistance for more than 150 entrants who ran a 5 k foot race, jumped on their bicycles and pedaled 25 k and then swam 500 meters at the NMSU Natatorium. Due to the .84 repeater being off the air, a simplex FM frequency was used with good results. At least two bicycle accidents were promptly reported to EMS personnel for attention using ham radio. Thanks to George, KD5OHA, Brad, KC5SKE, Jack, N5PK, Charlotte, KC5KWI, Richard, KC5EVR, Henry, AD5FE, Karl, K5DI, Dave, WA5DJJ, Dennis, KB5TPV, Sandy, KJ5Q, John-1, N5WQ, and John-2, WK5C. After the race Johns 1 and 2 and Henry gathered in all the barricades and warning signs, saving the race director time and effort. A special thanks to Charlie, K9AQH, who served as a uniformed officer for the Mounted Patrol doing traffic control but also took time out to call out for record the numbers of each and every biker at the turn-around. This record was provided to the race director for confirmation of entrants.

[.Return to Table of Contents](#)

## TECHNIGHT WA5DJJ

On May 11 we are starting our countdown to Field Day Operations on Saturday June 24th and 25th. This first meeting is to talk about the Rules and Operations of our field day operation and the special point getting tactics to help us raise our score.

There are also some things we as a club can do to reach out to the public and attract new Amateurs to our club. It is also a time when we are out in the public to show what we can do and what we are about. So we want to gear our operation to do this along with operating for 24 hours under emergency conditions. We will be going over the field day rules which can be downloaded from the Arrl Website at: <http://www.arrl.org/contests/forms/06-fd-Rules.pdf> and it will be very helpful if everyone involved read over the rules and other information in this file.

As many people that want to be involved with field day need to plan to attend this meeting and the next three tech night meetings.

Tech Night May 25, 2006 7:00 PM at the clubhouse. This is the meeting that we learn how the field day logging program works and try to iron out any glitches as we try to learn this new Windows Software. I have disks available with the new to us logging software on them or you can download the program from the website at <http://www.n3fjp.com/>, clicking on field day log on the left side menu and download the version 2.8 program. Install this on your computer and it will allow you to log 28 items. So you can practice and see how the program works. It has a good help file and it is easy to use and should help us with our logging. The reason we use a computer program to log is the field day manager (ME) doesn't have to decipher everyone's different handwriting when he is trying to do the paperwork after the field day. You don't have to do extensive typing to use this program so you "Hunt and Peck" typers are excellent candidates to do the logging function. If you have a WINDOWS Laptop bring it with you to the Meeting. I am hoping we can scare enough up to get a good practice session in before the contest starts.

[.Return to Table of Contents](#)

## MS WALK KD5OHA

The M. S. Walk was held on Saturday, April 8. George, KD5OHA; Brad, KC5SKE; Dennis, KB5TPVJ; J. O., KE5ALO; Henry AD5FE; Karl; K5DI; and Jack, N5PK all met at Young Park and then took positions along the bike path beside Traviz from Nevada to University avenues. They provided communications coverage for the 119 participants of the M, S. Walk. Thank you everyone for your excellent help.

[.Return to Table of Contents](#)

## MAY PROGRAM KD5HZI

Hello all and hope everyone who can attend the bean feed does so. I hope the weather will be good for this. I know the beans will be great. The presenter for the May business meeting will be Karl Larsen, K5DI. He will have a presentation on Anderson Powerpoles. There was a good write up on this in the April QST. This is a very good type of connector. Karl will demonstrate how to make them, where to purchase them and how they work. Looking forward to it, Karl.

[.Return to Table of Contents](#)

## VE SESSION

K5DI

There was a VE Session held on 4-5-6 at 6:30 PM. The VE's are Sandy and John Hemphing, David Hassal, and Karl Larsen. It was a pleasure to see that the number of people to take exams exceeded the number of VE's. Everything went smoothly and all 5 people passed all the tests they tried. One guy who had let his license expire passed the code test, the Tech, and the General written exams.

Like the CW class, the VE Session was held at the Messilla Park Recreation Center.

[.Return to Table of Contents](#)

## HORSE RACE

KD5ZHI

I just wanted to tell everyone about the Binn's horse race and how things went. I had a great time, this was a lot of fun. My son, Cash, Perry, and I meet on Friday. We checked in at the control trailer and meet some of the other hams. The Binns had the course laid out and we received our location (Cowboy Camp). We set up camp there and returned for a great spaghetti dinner. The next morning was early, with the first riders in camp at 6:00 am. The day was a blur. This location is where several different races came to water and rest. With so many things to do, we all ate our sandwiches standing up, no time to rest. Once all of the horse's were done in our area, we were reassigned to the last check point. We headed back to the main area for another great dinner, pit BBQ pig. We were done at our check point at 9:00 pm. A very late but fulfilling day. It was great being outdoors, camping out, radio work, and horses. All of my favorite things. I was very impressed with the number of hams that attended. Seventeen to be exact. And from Silver City, Deming, Las Cruces, and T or C. A very good turn out. And the traffic handling was very good also. All in all, I will be back next year.

[.Return to Table of Contents](#)

## CLASS

K4DI



I do not see the Technician, General and Extra classes as being viable any more. I did hold a CW class last month that was an experiment that worked. As a result of that class, we held a VE exam and had people taking both General and Technician written exams. Everyone passed and everyone used the qrz.com web page to learn to pass the 35 question written test by TAKING a test. This method appears to work well if the person is interested. I told them they had to get a consistent 80% right. Some people had to study both the code and the theory. This worked out just fine.

When we started the classes, they made sense because they were an inexpensive way to use the ARRL TV series to learn the information needed to pass the tests. Now there is the qrz.com free way to learn the information which appears to work very well.

The last of this letter is what we need to tell people who want to become hams or upgrade their current license.

"How do I become a Ham?" You must learn enough about Ham radio to pass a 35 question exam. You can learn this by working with the software on the web page <http://www.qrz.com>. Look down the right side of the busy page to where you can read "Practice Tests". Click on that and you go to a new page and there read what it says and click on the level of license you want to study. Now you know what you want to study. When you are done, you need to take the test which is given in Las Cruces when needed.

[Return to Table of Contents](#)

## MINUTES OF APRIL 2006 BUSINESS MEETING KJ5Q

The meeting was called to order by Jack Lemons N5PK at 9:15 am. A quorum was present. Visitors were welcomed and members introduced themselves.

The minutes, as circulated in the Local Oscillator, were approved by consensus. The treasurer's report was also approved by consensus with a total balance of \$13,985.71.

There was no new business. The antenna party was discussed.

Bob Bennett AD5LJ, Building Chairman, announced a cleanup of the club house to be on April 15 at 8:00 am. George KD5OHA and Jack N5PK volunteered to help.

Dave Hassall WA5DJJ reported on tech nights and field day. On April 13, repeaters and their operations will be the topic. On April 27, networks will be discussed. The logging software is available for practice. Help is needed with the antenna crew. A tour guide for the site and leaders for the special stations are needed.

Karl Larsen K5DI reported on the CW class. A VE session for testing will be held on April 5 at 6:30 pm

at the Mesilla Park Recreation Center. The fee to take a test is \$14.00.

Jim Leverett WA2NIJ suggested that the club consider carpeting for the meeting room. After discussion, it was sent to the Board.

Marnie Leverett KA2FVO proposed that the bylaws be changed to remove term limits for club officers. This also will be discussed by the Board.

It was announced that Art Trout WA8FBN has been moved from the hospital to the Rehab Center on East Lohman. Phone calls and cards would be appreciated.

Jack N5PK reminded everyone that the Bean Feed is on April 30 and workers are needed. Donations of equipment and supplies to sell would be greatly appreciated.

The meeting was adjourned at 10:05 and several members shared their stories of how they came to live in Las Cruces.

Sandra Hempfling

For Judy Davis, Secretary

[Return to Table of Contents](#)

#### INCOME/EXPENSE

Mesilla Valley Radio Club

March 1 through March 31, 2006

Income 374.42

Expense 197.99

For a more complete treasurer's report see the I/E page.

[Return to Table of Contents](#)

**Mesilla Valley Radio Club**  
**Income/Expense**  
**March 1 through March 31, 2006**

Beginning Balances		
MVRC Checking Account	2158.12	
MVRC Savings Account	9110.13	
Education Fund Account	2491.03	
Cash on Hand	<u>50.00</u>	
<b>Balances Total</b>		<b><u>13809.28</u></b>
Income		
Breakfast & Drinks	92.00	
Contributions	225.00	
Dues	105.00	
T-shirt sales	-49.68	
Interest Income	<u>2.10</u>	
Total Income	<u>374.42</u>	
<b>Balances + Income</b>		<b>14183.70</b>
Expenses		
Breakfast	80.80	
Club House	30.00	
Misc	19.95	
Utilities		
Electricity	29.71	
Telephone	26.32	
Water	11.21	
Total Expenses	<u>197.99</u>	
<b>Balances on hand, March 31</b>		<b><u>13181.88</u></b>

## Ending Balances

MVRC Checking Account	2332.45
MVRC Savings Account	9112.23
Education Fund Account	2491.03
Cash on Hand	50.00
<b>Balances Total</b>	<b><u>13985.71</u></b>

Sandra Hempfling  
Treasurer

Return to body of [Local Oscillator](#)

## CLUB INFORMATION

The MVRC Clubhouse is located at the intersection of Wilt and Jefferson in Hacienda Heights. To find the clubhouse, set your destination on your GPS receiver as 32 degrees 22.961 minutes and -106 degrees 41.44 minutes. If you don't own a gps, take the Porter exit on US 70. It is about 5 miles from the I 25 interchange, near the firehouse. Almost immediately south of the south frontage road on the south side of US 70, turn left toward the mountains until you come to Wilt. Turn right. There is a jog in the road, but at 0.35 miles you should come to Jefferson. If you can't see the tower and beam, you shouldn't be driving. The treasurer would be delighted to receive your contribution for landscaping and furnishing.



## Officers

Office	Name	Call	Phone	e-mail
President	Jack Lemons	N5PK	526-9428	<a href="mailto:n5pk@zianet.com">n5pk@zianet.com</a>
Vice-President	Tres Campbell	KD5HZI	373-2008	<a href="mailto:trscam@netscape.net">trscam@netscape.net</a>
Secretary	Judy Davis	W5JRD	522-6833	<a href="mailto:judy@davis-domain.com">judy@davis-domain.com</a>
Treasurer	Sandra Hempfling	KJ5Q	373-1166	<a href="mailto:kj5q@arrl.net">kj5q@arrl.net</a>
Board Members	Alex. Burr	K5XY	522-2528	<a href="mailto:k5xy@arrl.net">k5xy@arrl.net</a>
	Bob Bennett	AD5LJ	382-0148	<a href="mailto:rbennett@zianet.com">rbennett@zianet.com</a>
	John Beakley	WK5C	522-7078	<a href="mailto:wk5c@arrl.net">wk5c@arrl.net</a>
	Cash Olsen	KD5SSJ	382-1917	<a href="mailto:casholsen@zianet.com">casholsen@zianet.com</a>
	Joe San Filippo	WZ5R	521-7574	<a href="mailto:sanfilippo@zianet.com">sanfilippo@zianet.com</a>
	Brad Sacca	KC5SKE	382-4380	<a href="mailto:shiekyerbouty@msn.com">shiekyerbouty@msn.com</a>

The newsletter is always looking for articles and notes of interest to the members of the Mesilla Valley Radio Club. Please send them to Alex. F. Burr, K5XY, Editor, MVRC Local Oscillator, 695 Stone Canyon Drive, Las Cruces, NM 88011. Small personal ads from members will also be published. It would be helpful if submissions would be made in a machine readable form. Windows readable disks are welcome. Files can also be sent to the Internet address [k5xy@arrl.net](mailto:k5xy@arrl.net). The club maintains a web site at <http://www.zianet.com/mvrc>.

### JOIN THE CLUB

To join the Mesilla Valley Radio Club, renew your membership, or to support the repeaters, please print, cut out, and complete the form below. Send it with dues (\$35 single, \$45 family per year, add \$10 to receive the newsletter by US mail instead of e-mail) to: Treasurer, MVRC, Box 1443, Las Cruces, NM 88004.

Name	
------	--

Box or street address	
City	
State	
Zip	
Call	
Class of license	
Phone	
e-mail	
ARRL Member?	

[Return to home page](#)

[Return to Local Oscillator first page](#)