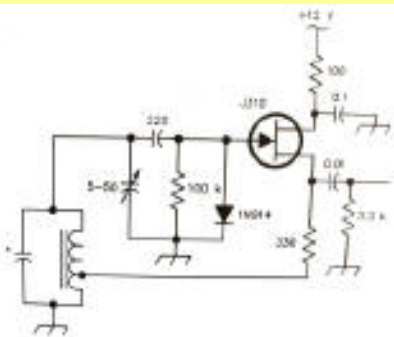
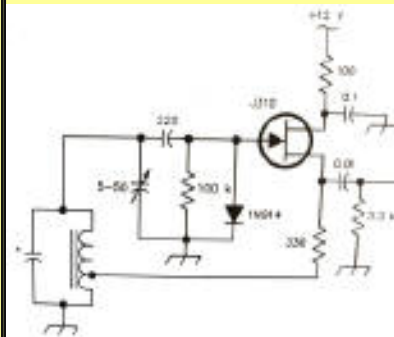


# Local Oscillator



2005

Mesilla Valley Radio Club



December

A [pdf file](#) of this issue is available. It should print fairly easily. If you do not have the free pdf file reader, go to <http://www.adobe.com>

## Coming Events

## Table of Contents

Date	Event	Time
Sun	CW Net 7.142	4:00PM
M - F	6 m FM net 52.540	6:00AM
M - F	round-table 52.525	8:00PM
T, T	Informal Wal-Mart (E)	10:00AM
M, W, F	Informal Wal-Mart (W)	10:00AM
Mon	WTRA Swap net 146.88	8 PM
Wed	Net 146.64	6:45PM
Mon	YL Rise & Shine 449.9	8:30AM
Nov 24	Turkey Trot Race	8:15AM
Dec 3	<a href="#">NM QSO Party</a>	
Dec 3	<b>NO</b> Breakfast - Club House	8 AM
Dec 3	<b>NO</b> Business meet - Club House	9:15 AM
Dec 5	Club Christmas Party - Chilitos	6:30 PM
Dec 7	Directors meeting - Club House	7:00 PM
Jan 7	Next Club Meeting	

[COMING EVENTS](#)  
[TABLE OF CONTENTS](#)  
[PRESIDENT'S CORNER](#)  
[RACES](#)  
[CW GROUP](#)  
[CHRISTMAS DINNER](#)  
[IRLP NODE](#)  
[NEW MEXICO QSO PARTY](#)  
[INCOME/EXPENSE](#)  
[BACK PAGE](#)



# Ready to Monitor the Marathon

The space below is used for acknowledgements and maintaining the site.

Send comments, suggestions, and requests to [Alex. F. Burr](mailto:Alex.F.Burr) or send e-mail to [aburr @ qzxservices.com](mailto:aburr@qzxservices.com).

Technical assistance, net access, design, and maintenance provided by [qzxservices.com](http://qzxservices.com)

## THE ARTICLES FOR THIS MONTH

### PRESIDENT'S CORNER

N5PK

We are nearing the end of a good year for the MVRC. We accomplished a lot in 2005, we went a long way towards putting our club back on solid ground financially once again, we responded to every opportunity given us to perform public service, we've continued our desire to provide training for the development of quality volunteer radio operators, we've had fun times at the bean feed, field day, and at all activities we have supported. A big plus that I've seen is that we are becoming more friendly and a closer knit group than in the recent past. These things, we have accomplished together.

A special thanks for those members of the board of directors and officers who so unselfishly served with me as leaders in our club. For me, it has been an honor serving you, the members of the MVRC and I'm looking forward to working along side you for another term. We've done very well this year, but together we can do better!.

For several weeks now, we've had an on going antenna party. We began with Ken Wright, NT3W, a past member who may be leaving the area permanently very soon now., Next we moved out to the west mesa to assist in the removal of N5JHV's towers and antennas, this has been a three or four trip project but lots of fun. Many thanks to the crew of John Beakly, Rod Davis and Richard Johnson for their labor of love for the MVRC and Amateur Radio. Oh yes, they let me help them some provided I would stay out of their way!

A short reminder or two. Make plans to attend the Christmas party, see details elsewhere in the L.O., also there will be a board of directors meeting in December to finalize the proposed budget for 2006.

God Bless you all as you and your families celebrate the coming holiday season.

[.Return to Table of Contents](#)

### RACES

KD5OHA

On Oct.31 sixteen local amateur operators got together to cover the MVTC annual 26 mile marathon race. It started at the field of dreams. Not only did we keep track of the position of the participants, but we were also helpful in directing the water vendors to the appropriate sites. We also helped coordinate communications between race officials and other volunteer organizations. On

November 12 some of these same operators and others helped with the annual Baylor Pass Run. Both events were very successful with no major casualties. I would like to thank everyone that helped. The next event we have is the Thanksgiving Day Turkey Trot race that starts at 8:30 on Thanksgiving day.

[.Return to Table of Contents](#)

## CW GROUP

K5DI

We had a fine meeting in November and we found the 20 meter beam working and the 40 meter wire was very good. We worked several people. We are looking for people who are interested in becoming more active in Amateur Radio. We plan to set up a mentoring service wherein a person knowing nothing about HF radio can learn and get on the air.

If you are interested, we meet the First Monday of every month at 7 PM at the Clubhouse.

[Return to Table of Contents](#)

## CHRISTMAS DINNER

KJ5Q

First alert about Christmas dinner

Monday, December 5 - 6:30 pm

Chilitos on Foothills Road

Will have choices from limited menu - 3 American & 3 Mexican

Price will be about \$10.00+- per person

More details in December LO (Unfortunately the LO has no more details.)

Tres will have club shirts to distribute -- \$22.50 per shirt.

[Return to Table of Contents](#)

## IRLP NODE

K5XY

There is a new IRLP node accessible from Las Cruces.

An IRLP node is a radio connection to the internet which allows communication between two amateur stations utilizing the internet. The new node is a repeater located on Caballo Peak with an output frequency of 448.500 MHz and an input frequency of 443.500 (100 Hz tone).

The repeater is usable from most of Las Cruces. It is controlled by touchtones. Some of the touchtone control codes are given below.

IRLP Node 3409, Echolink Node 249171

\*69 - Star69 - Plays IRLP connection history

\*\* - Check Internet Link Status

\*ABC - Speaks the current time

73 - Disconnect Node

\*#12 - Play announcement

IRLP Quick Connect Nodes - Prefix with \*;

For all other IRLP Nodes just enter Node Number

1) 3097 - N5FAZ	5) 4494 - KC6HUR
2) 3676 - KB5GAS	6) 5410 - MB7IKE
3) 3979 - NO5DE	7) 7370 - KJ6VU
4) 3887 - N5IMJ	8) 3672 - KH6FV-3

Echolink Nodes - Prefix all Echolink Nodes with #

There are two main systems for linking amateur radio to the internet, IRLP and Echolink. Both are available from this new repeater and have been recently described in QST. More information on IRLP can be found on the Internet at [www.irlp.net](http://www.irlp.net). Information on Echolink can be found at [www.echolink.org](http://www.echolink.org).

The IRLP number of this node is 3409. The echolink number is 249171. The repeater and all the auxiliary equipment has been assembled by N5BBD

An example QSO is given here. I keyed my 443.500 fm transceiver for about 1 second to allow the tone controller to pick up. I then entered 3097 (the IRLP number of an El Paso repeater) to connect the Caballo repeater through the internet to that repeater in El Paso. My voice then went out over the air and I was answered by WB5LJO. We had a 10 minute QSO. I then sent two tones (73) to break the connection. The actual connection was more complicated than given here, but the end result was as if we were both using the same repeater. My general impression is that the systems are not heavily used, are technically sophisticated, require no equipment except the ability to use a 70 CM repeater, and offer the possibility of communicating at repeater quality with a wide variety of stations in a wide variety of places.

If there is interest, more details can be given here. For details and the answers to questions see the above listed web sites or contact N5BBD at



[pjohannik@starband.net](mailto:pjohannik@starband.net)

[Return to Table of Contents](#)

## NEW MEXICO QSO PARTY

Kevin, N5KEV, is gearing up for a New Mexico QSO Party. This will run from 0000Z until 2359Z, December 3, 2005, CW and phone, 160 to 10 Meters. Contact Kevin at [N5KEV@msn.com](mailto:N5KEV@msn.com) for detailed information about power, points, multipliers, etc.

[Return to Table of Contents](#)

## INCOME/EXPENSE

KJ5Q

Below is the summary for September. For a more complete report see the [IE](#) page.

Mesilla Valley Radio Club

Income/Expense

**September 1 through September 30, 2005**

INCOME      191.00

EXPENSES    1286.95

Sandra Hempfling

Treasurer

[Return to Table of Contents](#)

## UNCLASSIFIED ADS

WANTED: New Mexico ham radio callsign license plates for 1961 (undated, red on white), 1962 ('61 with 1962 sticker), 1963 ('61 with 1963 sticker), 1989, and 2003. Will pay \$50 each for 1961-1963, \$25 each for 1989 and 2003. Bill Johnston, K5ZI, 382-7804.

FOR SALE: as a package.

- 1) Icom 735 HF rig with hand-held IC-HM12 mic. The mic. has frequency up/down buttons.
- 2) Pyramid "Phase III" 12 volt, 35 amp power supply
- 3) MFJ model MFJ-941C +Versa Tuner II
- 4) Akigawa model PM-3HV lighted swr/power meter (requires +12 Vdc). This meter has full-scale ranges of 20W, 200W, 1000W

Price: \$450 for the package

Contact WZ5R

[Return to Table of Contents](#)

**Mesilla Valley Radio Club**  
**Income/Expense**  
**October 1 through October 31, 2005**

Beginning Balances

MVRC Checking Account	3298.94	
MVRC Savings Account	4106.25	
Education Fund Account	2523.13	
Cash on Hand	<u>49.47</u>	
<b>Balances Total</b>		<b>9977.79</b>

Income

Breakfast & Drinks	86.00	
Dues	80.00	
Equipment Sales	<u>25.00</u>	

Total Income	<u>191.00</u>	
--------------	---------------	--

<b>Balances + Income</b>		<b>10168.79</b>
--------------------------	--	-----------------

Expenses

Breakfast	47.29	
Field Day	48.15	
Insurance	950.00	
Utilities		
Electricity	29.10	
Propane	171.73	
Telephone	26.32	
Water	<u>14.36</u>	

Total Expenses		<u>1286.95</u>
----------------	--	----------------

<b>Balances on hand, Oct 31, 2005</b>		<b><u>8881.84</u></b>
---------------------------------------	--	-----------------------



Ending Balances	
MVRC Checking Account	2202.46
MVRC Savings Account	4106.25
Education Fund Account	2523.13
Cash on Hand	<u>50.00</u>
<b>Balances Total</b>	<u>                    </u>
<b><u>8881.84</u></b>	

Sandra Hempfling

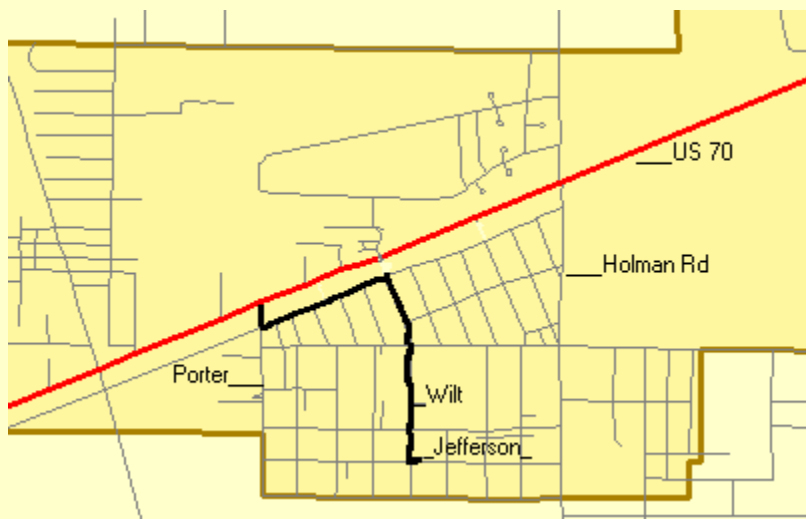
Treasurer

[Return to Local Oscillator first page](#)

[Return to home page](#)

## CLUB INFORMATION

The MVRC Clubhouse is located at the intersection of Wilt and Jefferson in Hacienda Heights. To find the clubhouse, set your destination on your GPS receiver as 32 degrees 22.961 minutes and -106 degrees 41.44 minutes. If you don't own a gps, take the Porter exit on US 70. It is about 5 miles from the I 25 interchange, near the firehouse. Almost immediately south of the south frontage road on the south side of US 70, turn left toward the mountains until you come to Wilt. Turn right. There is a jog in the road, but at 0.35 miles you should come to Jefferson. If you can't see the tower and beam, you shouldn't be driving. The treasurer would be delighted to receive your contribution for landscaping and furnishing.



## Officers

Office	Name	Call	Phone	e-mail
President	Jack Lemons	N5PK	526-9428	<a href="mailto:n5pk@zianet.com">n5pk@zianet.com</a>
Vice-President	Tres Campbell	KD5HZI	373-2008	<a href="mailto:trscam@netscape.net">trscam@netscape.net</a>
Secretary	Judy Davis	W5JRD	522-6833	<a href="mailto:judy@davis-domain.com">judy@davis-domain.com</a>
Treasurer	Sandra Hempfling	KJ5Q	373-1166	<a href="mailto:kj5q@arrl.net">kj5q@arrl.net</a>
Board Members	Alex. Burr	K5XY	522-2528	<a href="mailto:k5xy@arrl.net">k5xy@arrl.net</a>
	Bob Bennett	AD5LJ	382-0148	<a href="mailto:rbennett@zianet.com">rbennett@zianet.com</a>
	George Kopp	KD5OHA	525-1956	<a href="mailto:geokd5oha@yahoo.com">geokd5oha@yahoo.com</a>
	Cash Olsen	KD5SSJ	382-1917	<a href="mailto:casholsen@zianet.com">casholsen@zianet.com</a>
	Joe San Filippo	WZ5R	521-7574	<a href="mailto:sanfilippo@zianet.com">sanfilippo@zianet.com</a>
	Brad Sacca	KC5SKE	382-4380	<a href="mailto:shiekyerbouty@msn.com">shiekyerbouty@msn.com</a>

The newsletter is always looking for articles and notes of interest to the members of the Mesilla Valley Radio Club. Please send them to Alex. F. Burr, K5XY, Editor, MVRC Local Oscillator, 695 Stone Canyon Drive, Las Cruces, NM 88011. Small personal ads from members will also be published. It would be helpful if submissions would be made in a machine readable form. Windows readable disks are welcome. Files can also be sent to the Internet address [k5xy@arrl.net](mailto:k5xy@arrl.net). The club maintains a web site at <http://www.zianet.com/mvrc>.

### JOIN THE CLUB

To join the Mesilla Valley Radio Club, renew your membership, or to support the repeaters, please print, cut out, and complete the form below. Send it with dues (\$35 single, \$45 family per year) to: Treasurer, MVRC, Box 1443, Las Cruces, NM 88004.

Name	
Box or street address	

Club Information

City	
State	
Zip	
Call	
Class of license	
Phone	
e-mail	
ARRL Member?	

[Return to home page](#)

[Return to Local Oscillator first page](#)