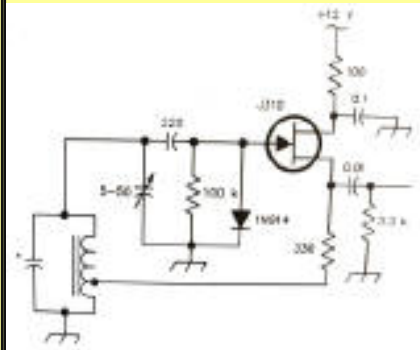


2005

Local Oscillator



November

Mesilla Valley Radio Club

A [pdf file](#) of this issue is available. It should print fairly easily. If you do not have the free pdf file reader, go to <http://www.adobe.com>

Coming Events

Table of Contents

Date	Event	Time	
Sun	CW Net 7.142	4:00PM	COMING EVENTS
M - F	6 m FM net 52.540	6:00AM	TABLE OF CONTENTS
M - F	round-table 52.525	8:00PM	PRESIDENT'S CORNER
T, T	Informal Wal-Mart (E)	10:00AM	RACES
M, W, F	Informal - Munson Center	10:00AM	CW GROUP
Mon	WTRA Swap net 146.88	8 PM	CLUB HOUSE STATUS
Wed	Net 146.64	6:45PM	SOCORRO HAMFEST
Mon	YL Rise & Shine 449.9	8:30AM	TOOLS
Oct 29	Socorro Hamfest	7:15AM	NEW MEXICO QSO PARTY
Oct 30	Marathon Race	6:45AM	ANTENNA CREW
Nov 5	Breakfast - Club House	8 AM	MINUTES OF BUSINESS
Nov 5	Business meeting - Club House	9:15 AM	MEETING
Nov 7	CW Group - Club House	7:00 PM	MINUTES OF BOARD OF
Nov 9	Directors meeting - Club House	7:00 PM	DIRECTORS
Nov 12	Baylor Pass Race	9:45AM	INCOME/EXPENSE
Nov 24	Turkey Trot Race	8:15AM	BACK PAGE
Dec 3	NM QSO Party		
Dec ?	Club Christmas Party - Chilitos??	?	
Jan 7	Next Club Meeting		



KD5ZHI in New Club Shirt

The space below is used for acknowledgements and maintaining the site.

Send comments, suggestions, and requests to [Alex. F. Burr](#) or send e-mail to [aburr @ qzxservices.com](mailto:aburr@qzxservices.com).

Technical assistance, net access, design, and maintenance provided by qzxservices.com

THE ARTICLES FOR THIS MONTH

PRESIDENT'S CORNER

N5PK

The November meeting will be our last general meeting of this year and it is an important one. We must elect our leadership for the coming year and plan for our annual Christmas banquet and discuss the possibility of acquiring a new 2 meter repeater for twin peaks. Also, I believe it is important to reflect on accomplishments of the this year and begin to plan for next year.

Our first priority for the new year is to continue and improve upon the activities we are involved in currently. Those are;

- **Public Service Activity.** The MVRC is involved in providing communications in support of many public and emergency activities and we do a very good job providing these services.
- **License Classes and Exams.** This activity is very important to the life of our club and it's ability to provide competent communicators in support of our commitment to providing public service. With the possibility of The FCC abolishing the code requirement for all license classes, we will need to be diligent and work hard to meet the training challenges in the next few years.
- **Meeting Programs.** I believe a key element to increasing attendance at our monthly meetings and greater participation in our activities is to have good programs at our meetings. Tres has done a great job this year with the scheduling of our programs. We must continue these quality presentations into the future.
- **Bean Feed.** The bean feed continues to be a popular activity and just gets better with each rendition! There is hard work involved in the success of this activity but there is also an opportunity to fellowship with other amateurs around our state, clean out our closets and pass along our treasures to another, plus volunteering to work and serve others. We should continue this activity and make it better if possible.
- **Field Day.** We had a very good event this year. All who attended had a great time, enjoyed the fellowship the brisket, sodas and the work of setting up antennas and taking them down. The training was valuable and the experience

worth while. In the coming year we should build upon this years successes and work to get more members involved, improve our score somewhat and continue to hone our social as well as the technical skills of our hobby.

I didn't intend to get so "wordy" when I started this article but there didn't seem to be a stopping place. The bottom line is this, together we've done a reasonably good job in the performance of the activities we as a club are committed to. I say, thanks to each of you for your individual and corporate efforts toward our club meeting it's goals. I believe we together can do a better job next year, don't you! See you at the meeting, first Saturday morning in November, 08:00 for breakfast, 09:15 for the meeting,

[.Return to Table of Contents](#)

RACES

KD5OHA

On Sunday Oct. 30TH. I still need 5 people for coverage of the Mesilla Valley Track Club. Marathon race the race starts at 7A.M. At the Field of Dreams. Also on November 12 is the Baylor Pass run That is a Sat. and it starts at 10A.M. Then on Nov. 24 I will need help with the turkey trot race. This is a very short race on Thanksgiving day. Please let me know if you can help with any of these. Contact me 525-1956 or e-mail at geokd5oha@yahoo.com.

[.Return to Table of Contents](#)

CW GROUP

K5DI

We have been without antenna's at the Club House for 3 months and it has crimped our style. I understand the beam has serious problems and so does the 80-40 meter wire. From talking with Dave Hassall he plans to make one of his all band antennas (dipoles) for the Club House. This will be a good fix for the CW Groups needs.

After a lot of thinking, what I want this Group to do is offer a complete system that gives a non-ham the desire to be a ham and use CW. Here is what is proposed. Anyone at any point in their development in Ham Radio is invited to try the fun of building your own transceiver at a cost of \$55.00 for a kit of parts. This results in a working 40 meter transceiver with a good receiver and transmitter. During the building phase you can study for the General Class license if needed.

During the building of this kit there will be people that can help

you if there is any problem(s). We will put it on the air at the Club House and make sure it is working well. Now you are ready to build an antenna for your home. There is a lot of expertise in this field and you can do what works in your home.

There will be CW nets that meet on 40 meters. You can check into mine on Sunday at 4PM on 7.142 MHz and be welcomed from Las Cruces to Alabquerque. We will start one if needed for simple code speed improvement. I hope many avail themselves of this opportunity. It is low cost but full of the fun associated with being a full active Ham.

The next meeting will be at 7 PM on Nov 7 2005 or you can call Karl Larsen at 524-3303.

[Return to Table of Contents](#)

CLUB HOUSE STATUS AD5LJ

Several of us spent three days working at the clubhouse doing general clean-up and minor repairs. We accomplished the following.

- Washed and dusted most of the clubhouse. We ran out of energy and still have some dusting left to do in the main meeting room. We also need to clean the refrigerator.
- Shut down the air conditioner and started the furnace.
- Resealed all the roof penetrations. Some minor leaks had developed and have now been repaired.
- Repaired the outside lights on the meter pole. The GFI was destroyed by lightning and this prevented the outside lights from working. The GFI was bypassed so that the lights would function. We need an electrician to complete repairs and this is being arranged. The electrical receptacles on the meter pole do not work.
- The weeds on the lot were mowed and the dead tree removed.
- Both the HF antennas were damaged over the summer, probably by a lightning surge. The dipole has been taken down and a replacement dipole is being fabricated. We intend to install it as soon as possible. The beam was

tested and it appears that one or more of the traps have been fried. We have no option but to take down the beam. The current plan is to refurbish a TH-6 antenna donated to the club and align it on the ground. When this is finished, we will have a workday to lower the old beam and install the replacement. It is unlikely we will be able to replace the damaged beam before January 2006.

[Return to Table of Contents](#)

SOCORRO HAMFEST

The Socorro Hamfest will be held Saturday, October 29, 2005, at the New Mexico Fire Fighters Academy in Socorro. Hours are 8:00 a.m. -- 3:00 p.m. The talk-in frequency is 146.68, negative offset, 100 Hz tone. They will have vendors, presentations, seminars, a VE session for all license classes, and a transmitter hunt. It is a good event and we look forward to seeing lots of you there.

A special added attraction is a Friday, October 28, tour of the Very Large Array (VLA) at 1:00 p.m. If you haven't taken this tour, you really should try to make it. The VLA is impressive and the tour is extremely interesting and informative. They might even show you where the pond was when the movie "Contact" was shot there. The VLA is 50 miles west of Socorro, and there are signs with directions to the facility as you come into town.

Also on Friday, October 28, at 7:00 p.m., there will be a Hamfest Banquet at the Backyard Barbeque, 713 South California Street. For more information contact ac5bx@juno.com or see

<http://www.socorroara.org>.

[Return to Table of Contents](#)

TOOLS

AD5LJ

During the repair sessions at the clubhouse I forget to bring tools. The fact that the MVRC does not own any tools was driven home to me, as I had to make two trips to gather the tools needed for repairs.

The club needs a set of basic hand tools for use during field day and around the clubhouse for maintenance. I inventoried all our tools and found we have very few. The critical items we need are listed below. I asked for donations from club members at the 1 Oct. meeting. If you have extra serviceable tools of the following types, please consider donating them the MVRC.

- Set of standard screwdrivers.
- Hacksaw.
- Set of combination wrenches (both English and metric sizes).
- Set English size nut drivers.
- Long nose pliers (large and small sizes).
- Side cutting pliers (two sizes needed).
- Heavy duty cutter for cable and steel wire.
- Standard pliers.
- Heavy duty soldering gun or iron.
- ¼ inch electric drill with set of drill bits.

[Return to Table of Contents](#)

NEW MEXICO QSO PARTY

Kevin, N5KEV, is gearing up for a New Mexico QSO Party. This will run from 0000Z until 2359Z, December 3, 2005, CW and phone, 160 to 10 Meters. Contact Kevin at N5KEV@msn.com for detailed information about power, points, multipliers, etc.

[Return to Table of Contents](#)

ANTENNA CREW

AD5LJ

About two months ago, I volunteered to assist George, KD5OHA, during field day by taking charge of erecting and taking down antennas. I need a crew of five or six able-bodied people to assist me. If you would like to be a member of the field day antenna crew, please drop me an email at rbennett@zianet.com. As soon as the crew is assembled, I intend to hold one or two practice sessions. The practice sessions will probably be in February or March.

[Return to Table of Contents](#)

MINUTES OF OCTOBER BUSINESS MEETING W5JRD

The MVRC met at the club house on October 6, 2005 for the regular business meeting. The meeting was called to order by president Tres Campbell (KD5ZHI) at 9:00 am.

Reports:

- Sandra Hempfling (KJ5Q) - Treasurer's Report - There is a total of \$9,977.11 in all accounts. Motion to approve was made by Jim Leverett (WA2NIJ) and seconded by Bob Bennett (KD5LJ). The motion passed.
- Judy Davis - Minutes of previous meeting - Minutes of the September meeting were read. Motion to approve was made by Jim Leverett and seconded by Melonie Jack (KD5UZF). The motion passed.
- Rodney Davis (WK5I) - Nominating Committee Report - All officers and directors have agreed to return for another term. If anyone wishes to run for an office, please call Rodney at 522-6833. Elections will be held at the November meeting.
- Cash Olsen (KD5SSJ) - Special events report - The parts for the active attenuators to be used in the fox hunt events will be ready for the events scheduled for Wednesday, October 12 at 6:30 pm at the club house. He also reported on his recent trip to Houston as a Red Cross Volunteer.
- George Kopp (KD5OHA) - Communications report - The annual marathon race is set for October 30 at 8:00 am. starting at the Field of Dreams. Volunteers are needed.
It was decided that due to the late date, the club will not take part in the X Prize games.
- Bob Bennett (AD5LJ) - Club House report - Reported on clean-up day. Inside cleanup and some outside cleanup was accomplished. Additional outside work and a roof repair are still to be done. Anyone having tools they can donate to replenish the club house tool box are requested to do so. We need tools for accomplishing minor repairs.

- Tres Campbell - Vice-President A prototype club logo shirt was shown. Price is about \$25.00. Anyone interested should call Tres at 373-2008.

Following adjournment of the meeting, a program on the assembly of emergency radio kits was presented by Dave Hassall (WA5DJJ).

[Return to Table of Contents](#)

MINUTES OF OCTOBER BOARD OF DIRECTORS W5JRD

Board members in attendance were:

- Jack Lemons (N5PK)
- Sandra Hempfling (KJ5Q)
- Judy Davis (W5JRD)
- Bob Bennett (AD5LJ)
- George Kopp (KD5OHA)
- Tres Campbell (KD5ZHI)
- Brad Sacca (KC5SKE)
- Alex Burr (K5XY)

President Jack Lemons called the meeting to order at 7:00 pm

The minutes of the last meeting were read by Judy Davis and approved.

The Treasurer's report was given by Sandra Hempfling. The club has \$10,097.67 total in all accounts as of August 31, 2005. The report was approved as read.

Reports:

- Bob Bennett: Clean-up day is scheduled for Wednesday, September 28. More Volunteers are needed.

- Alex Burr: Any input for the Local Oscillator needs to be in by the 20th of each month. He also suggested the possibility of setting up a station for the October 9 X Prize function.
- Brad Sacca: David Hassall (WA5DJJ) will be contacted about the possibility of repairing the repeaters we have on hand.
- Tres Campbell: Parts for the active attenuators for use in hunt activities have been ordered by Cash Olsen (KD5SSJ) but the project is on hold until Cash returns from disaster relief duties at the Houston Astrodome.
- George Kopp: Races are scheduled for the Whole Enchilada Festival on 24 September and the annual marathon on 30 October.
- Jack Lemons: John Hempfling (N5WQ) will be in charge of the repairs to the Ten-Tec Corsair transceiver that was donated to the club.

The meeting was adjourned at 8:10 pm.

[Return to Table of Contents](#)

INCOME/EXPENSE

KJ5Q

Below is the summary for September. For a more complete report see the [IE](#) page.

Mesilla Valley Radio Club

Income/Expense

September 1 through September 30, 2005

INCOME 1.37

EXPENSES 121.25

Sandra Hempfling

Treasurer

[Return to Table of Contents](#)

9977.79

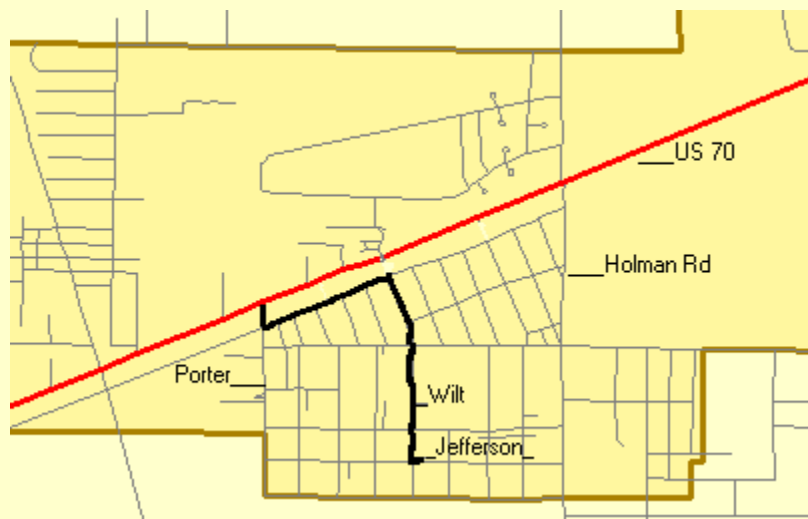
Sandra Hempfling
Treasurer

[Return to Local Oscillator first page](#)

[Return to home page](#)

CLUB INFORMATION

The MVRC Clubhouse is located at the intersection of Wilt and Jefferson in Hacienda Heights. To find the clubhouse, set your destination on your GPS receiver as 32 degrees 22.961 minutes and -106 degrees 41.44 minutes. If you don't own a gps, take the Porter exit on US 70. It is about 5 miles from the I 25 interchange, near the firehouse. Almost immediately south of the south frontage road on the south side of US 70, turn left toward the mountains until you come to Wilt. Turn right. There is a jog in the road, but at 0.35 miles you should come to Jefferson. If you can't see the tower and beam, you shouldn't be driving. The treasurer would be delighted to receive your contribution for landscaping and furnishing.



Officers

Office	Name	Call	Phone	e-mail
President	Jack Lemons	N5PK	526-9428	n5pk@zianet.com
Vice-President	Tres Campbell	KD5HZI	373-2008	trscam@netscape.net
Secretary	Judy Davis	W5JRD	522-6833	jhughes@nmsu.edu
Treasurer	Sandra Hempfling	KJ5Q	373-1166	kj5q@arrl.net
Board Members	Alex. Burr	K5XY	522-2528	k5xy@arrl.net
	Bob Bennett	AD5LJ	382-0148	rbennett@zianet.com
	George Kopp	KD5OHA	525-1956	geokd5oha@yahoo.com
	Cash Olsen	KD5SSJ	382-1917	casholsen@zianet.com
	Joe San Filippo	WZ5R	521-7574	sanfilippo@zianet.com
	Brad Sacca	KC5SKE	382-4380	shiekyerbouty@msn.com

The newsletter is always looking for articles and notes of interest to the members of the Mesilla Valley Radio Club. Please send them to Alex. F. Burr, K5XY, Editor, MVRC Local Oscillator, 695 Stone Canyon Drive, Las Cruces, NM 88011. Small personal ads from members will also be published. It would be helpful if submissions would be made in a machine readable form. Windows readable disks are welcome. Files can also be sent to the Internet address k5xy@arrl.net. The club maintains a web site at <http://www.zianet.com/mvrc>.

JOIN THE CLUB

To join the Mesilla Valley Radio Club, renew your membership, or to support the repeaters, please print, cut out, and complete the form below. Send it with dues (\$35 single, \$45 family per year) to: Treasurer, MVRC, Box 1443, Las Cruces, NM 88004.

Name	
Box or street address	

Club Information

City	
State	
Zip	
Call	
Class of license	
Phone	
e-mail	
ARRL Member?	

[Return to home page](#)

[Return to Local Oscillator first page](#)