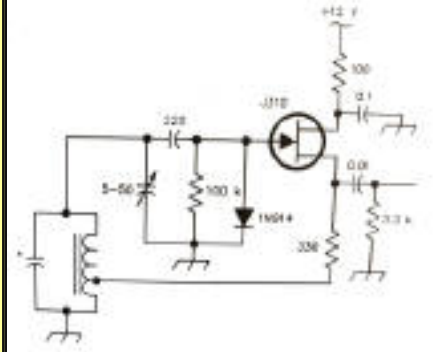


2005

# Local Oscillator



October

Mesilla Valley Radio Club

A [pdf file](#) of this issue is available. It should print fairly easily. If you do not have the free pdf file reader, go to <http://www.adobe.com>

## Coming Events

## Table of Contents

Date	Event	Time	
Sun	CW Net 7.142	4:00PM	COMING EVENTS
M - F	6 m FM net 52.540	6:00AM	TABLE OF CONTENTS
M - F	round-table 52.525	8:00PM	<a href="#">PRESIDENT'S CORNER</a>
T, T	Informal Wal-Mart (E)	10:00AM	<a href="#">OCTOBER MEETING</a>
M, W, F	Informal - Munson Center	10:00AM	<a href="#">CW GROUP</a>
Mon	WTRA Swap net 146.88	8 PM	<a href="#">CLUB HOUSE CLEANING</a>
Wed	Net 146.64	6:45PM	<a href="#">FOX HUNT</a>
Mon	YL Rise & Shine 449.9	8:30AM	<a href="#">RACE</a>
Sept 24	Whole Enchilada race	7:15AM	<a href="#">FCC 70 CM RULE CHANGES</a>
Sept 28	Clean-up Day - Club House		<a href="#">MINUTES OF BUSINESS</a>
Oct 1	Breakfast - Club House	8 AM	<a href="#">MEETING</a>
Oct 1	Business meeting - Club House	9:15 AM	<a href="#">MINUTES OF BOARD OF</a>
Oct 3	CW Group - Club House	7:00 PM	<a href="#">DIRECTORS</a>
Oct 5	Directors meeting - Club House	7:00 PM	<a href="#">INCOME/EXPENSE</a>
Oct 5	Attenuator building - Club House	7:00 PM	<a href="#">BACK PAGE</a>



# Your Board at Work

The space below is used for acknowledgements and maintaining the site.  
Send comments, suggestions, and requests to [Alex. F. Burr](mailto:aburr@qzxservices.com) or send e-mail to [aburr @ qzxservices.com](mailto:aburr@qzxservices.com).  
Technical assistance, net access, design, and maintenance provided by [qzxservices.com](http://qzxservices.com)

## THE ARTICLES FOR THIS MONTH

### PRESIDENT'S CORNER

N5PK

September is almost gone and the year end is fast approaching. There are only two meetings, October and November left in this year. We still have lot to accomplish before year's end.

The October business meeting will be an abbreviated one to allow time for us to visit informally about some issues important to our club and a time for exchange of ideas. I trust each of you will make a special effort to come to this important meeting. Also, begin to think about where you would like to have the Christmas party and be prepared to share your ideas with the group.

The nominating committee is hard at work to get a slate of officers and directors together for us to consider at the November meeting. If you want to be considered for any of these positions, contact Rodney Davis at 522-6833 or at the October meeting. We will need to elect four officers and three members to the board of directors. Officers are elected each year for a one year term, and three of the director positions are filled each year for a two year term.

There may be opportunities to help with some communications for the Whole Enchilada Fiesta, if so George will be contacting some of you to help in that support. Should be fun to do so help if you can.

[.Return to Table of Contents](#)

### OCTOBER MEETING

KD5ZHI

The October business meeting guest speaker will be Dave Hassall, WA5DJJ. His topic will be builders - past, present and future. Sounds good. Dave, as many of you know, has been building for many years and is very successful at it. I am sure everyone will be able to take something from this talk.

[Return to Table of Contents](#)

### CW GROUP

K5DI

The CW Group plans to have the next meeting on October 3 2005 at the clubhouse starting at

7:00PM. The meeting will include a demo of the Yaesu FT857D which is a REAL CW Radio. It works SSB and all the Digital Modes too. And it gets out real well on 2 meters and 70 CM. Everything you could want to adjust on this radio is available in a menu listing. It's design tested, best so far by the ARRL Lab.

If you have any questions or want to tell us about your CW stuff show up. Also the CW Net on Sunday each week at 4 PM local on 7.142 MHz has been a success. More people should wade in and join us.

[Return to Table of Contents](#)

## CLUB HOUSE CLEANING

AD5LJ

We will have a clubhouse cleaning party on Wednesday morning, 28 September. The work will start about 9 AM. The plan is to dust, sweep and wash the interior of the clubhouse and also do some minor outside clean up.

We need volunteers! If you would like to help, please drop me an email at [rbennett@zianet.com](mailto:rbennett@zianet.com).

[Return to Table of Contents](#)

## FOX HUNT

KD5ZHI

The fox hunt is still on. For all those interested Cash Olsen, KD5SSJ, and myself are trying to put on a hunt. This has been slowed as Cash volunteered his time in helping the Red Cross with the Katrina Disaster, good work Cash. Anyhow Cash has some attenuator kits ready to be built. The date is set for October the 5th 7:00 pm at the club house. We will be building the antenna with a used metal tape measure and pvc later. Once every one is ready to hunt, a date will be set. Keep your eyes open for that date, I hope we have a good turn out.

[Return to Table of Contents](#)

## RACE

KD5OHA

On Saturday September 24 the Mesilla Valley Track club needs coverage for two races. The first one starts at 7:30 A.M. and the second one is at 8:00 A.M. I have 3 volunteers and I need 5 more. Also I have been asked by the parade director if we could help with communications for the parade. I know the parade starts at 10 A.M. At Las Cruces High School. Goes down El Paseo to Main street and up main to the North end of the downtown mall. It should end by noon. I am going to a meeting on Wednesday to get more details on the parade.

[Return to Table of Contents](#)

## FCC 70 CM RULE CHANGES AD5LJ

There has been a change in allowed 70 CM power levels in New Mexico and elsewhere. The FCC quietly made these changes in October 2003 in response to a request from White Sands Missile Range and other Military installations in the area. The changes can be summarized as follows.

1. The frequency range effected is 420 to 450 MHZ.
2. Maximum peak power is limited to 50 Watts.
3. The areas where this limitation is in effect includes
  - ALL OF NEW MEXICO
  - ALL OF ARIZONA
  - All of Texas West of 104 degrees west
  - Plus specific areas around military bases in many other states.

4. Amateur operation in the 420-450 MHZ band is prohibited on the White Sands Missile Range.

The full text of the FCC rule change can be found at:

[http://hraunfoss.fcc.gov/edocs\\_public/attachmatch/FCC-03-269A1.doc](http://hraunfoss.fcc.gov/edocs_public/attachmatch/FCC-03-269A1.doc).

The current FCC Online Table and FCC Allocation History File is at

<Http://www.fcc.gov/oet/spectrum/>.

[Return to Table of Contents](#)

## MINUTES OF SEPTEMBER BUSINESS MEETING W5JRD

Due to lack of enough members for a quorum, no official meeting took place. President Jack Lemons (N5PK) announced the appointment of a nominating committee consisting of Rodney Davis (WK5I) Chairman, Jim Guganig (AD5HT), and Marnie Leverett (KA2FVO).

The scheduled program on Automatic Position Reporting System (APRS) was presented by Steve Horan (AC5RI).

The meeting was adjourned by President Jack Lemons.

[Return to Table of Contents](#)

## MINUTES OF SEPTEMBER BOARD OF DIRECTORS W5JRD

Board members in attendance were:

- Jack Lemons (N5PK)
- Sandra Hempfling (KJ5Q)
- Judy Davis (W5JRD)
- Bob Bennett (AD5LJ)
- George Kopp (KD5OHA)
- Tres Campbell (KD5ZHI)
- Brad Sacca (KC5SKE)
- Alex Burr (K5XY)

President Jack Lemons called the meeting to order at 7:00 pm

The minutes of the last meeting were read by Judy Davis and approved.

The Treasurer's report was given by Sandra Hempfling. The club has \$10,097.67 total in all accounts as of August 31, 2005. The report was approved as read.

Reports:

- Bob Bennett: Clean-up day is scheduled for Wednesday, September 28. More Volunteers are needed.
- Alex Burr: Any input for the Local Oscillator needs to be in by the 20th of each month. He also suggested the possibility of setting up a station for the October 9 X Prize function.
- Brad Sacca: David Hassall (WA5DJJ) will be contacted about the possibility of repairing the repeaters we have on hand.
- Tres Campbell: Parts for the active attenuators for use in hunt activities have been ordered by Cash Olsen (KD5SSJ) but the project is on hold until Cash returns from disaster relief duties at the Houston Astrodome.
- George Kopp: Races are scheduled for the Whole Enchilada Festival on 24 September and the

annual marathon on 30 October.

- Jack Lemons: John Hempfling (N5WQ) will be in charge of the repairs to the Ten-Tec Corsair transceiver that was donated to the club.

The meeting was adjourned at 8:10 pm.

[Return to Table of Contents](#)

## INCOME/EXPENSE

KJ5Q

Below is the summary for August. For a more complete report see the [IE](#) page.

Mesilla Valley Radio Club

Income/Expense

June 1 through July 31, 2005

INCOME      96.70

EXPENSES    141.75

Sandra Hempfling

Treasurer

[Return to Table of Contents](#)

**Mesilla Valley Radio Club**  
**Income/Expense**  
**August 1 through August 31, 2005**

Beginning Balances

MVRC Checking Account	3465.94
MVRC Savings Account	4104.18
Education Fund Account	2523.13
Cash on Hand _____	49.47
<b>Balances Total</b>	<b>10142.72</b>

Income

Breakfast & Drinks	61.00
Dues	35.00
Interest Income _____	0.70
Total Income _____	96.70
<b>Balances + Income</b>	<b>10239.42</b>

Expenses

Misc	84.00
Utilities	
Electricity	20.46
Telephone	26.32
Water _____	10.97
Total Expenses _____	141.75

**Balances on hand, July 31, 2005** \_\_\_\_\_ **10097.67**

Ending Balances

MVRC Checking Account	3420.19
MVRC Savings Account	4104.88
Education Fund Account	2523.13
Cash on Hand _____	49.47
<b>Balances Total</b>	_____



**10097.67**

Sandra Hempfling

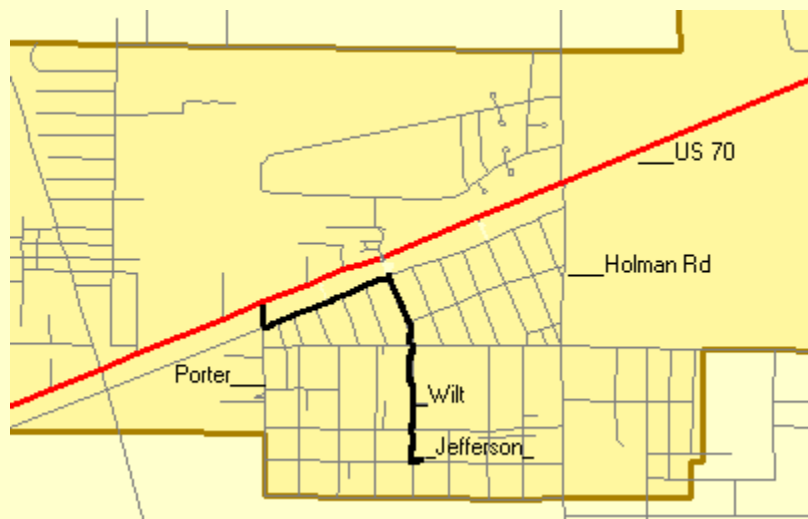
Treasurer

[Return to Local Oscillator first page](#)

[Return to home page](#)

## CLUB INFORMATION

The MVRC Clubhouse is located at the intersection of Wilt and Jefferson in Hacienda Heights. To find the clubhouse, set your destination on your GPS receiver as 32 degrees 22.961 minutes and -106 degrees 41.44 minutes. If you don't own a gps, take the Porter exit on US 70. It is about 5 miles from the I 25 interchange, near the firehouse. Almost immediately south of the south frontage road on the south side of US 70, turn left toward the mountains until you come to Wilt. Turn right. There is a jog in the road, but at 0.35 miles you should come to Jefferson. If you can't see the tower and beam, you shouldn't be driving. The treasurer would be delighted to receive your contribution for landscaping and furnishing.



## Officers

Office	Name	Call	Phone	e-mail
President	Jack Lemons	N5PK	526-9428	<a href="mailto:n5pk@zianet.com">n5pk@zianet.com</a>
Vice-President	Tres Campbell	KD5HZI	373-2008	<a href="mailto:trscam@netscape.net">trscam@netscape.net</a>
Secretary	Judy Davis	W5JRD	522-6833	<a href="mailto:jhughes@nmsu.edu">jhughes@nmsu.edu</a>
Treasurer	Sandra Hempfling	KJ5Q	373-1166	<a href="mailto:kj5q@arrl.net">kj5q@arrl.net</a>
Board Members	Alex. Burr	K5XY	522-2528	<a href="mailto:k5xy@arrl.net">k5xy@arrl.net</a>
	Bob Bennett	AD5LJ	382-0148	<a href="mailto:rbennett@zianet.com">rbennett@zianet.com</a>
	George Kopp	KD5OHA	525-1956	<a href="mailto:geokd5oha@yahoo.com">geokd5oha@yahoo.com</a>
	Cash Olsen	KD5SSJ	382-1917	<a href="mailto:casholsen@zianet.com">casholsen@zianet.com</a>
	Joe San Filippo	WZ5R	521-7574	<a href="mailto:sanfilippo@zianet.com">sanfilippo@zianet.com</a>
	Brad Sacca	KC5SKE	382-4380	<a href="mailto:shiekyerbouty@msn.com">shiekyerbouty@msn.com</a>

The newsletter is always looking for articles and notes of interest to the members of the Mesilla Valley Radio Club. Please send them to Alex. F. Burr, K5XY, Editor, MVRC Local Oscillator, 695 Stone Canyon Drive, Las Cruces, NM 88011. Small personal ads from members will also be published. It would be helpful if submissions would be made in a machine readable form. Windows readable disks are welcome. Files can also be sent to the Internet address [k5xy@arrl.net](mailto:k5xy@arrl.net). The club maintains a web site at <http://www.zianet.com/mvrc>.

### JOIN THE CLUB

To join the Mesilla Valley Radio Club, renew your membership, or to support the repeaters, please print, cut out, and complete the form below. Send it with dues (\$35 single, \$45 family per year) to: Treasurer, MVRC, Box 1443, Las Cruces, NM 88004.

Name	
Box or street address	

Club Information

City	
State	
Zip	
Call	
Class of license	
Phone	
e-mail	
ARRL Member?	

[Return to home page](#)

[Return to Local Oscillator first page](#)