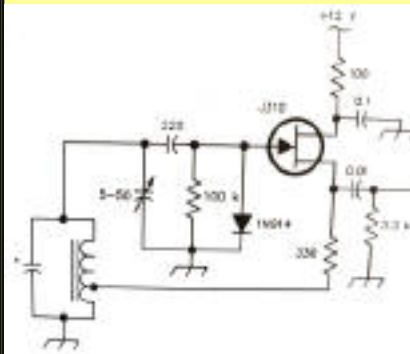


2005

Local Oscillator



September

Mesilla Valley Radio Club

A [pdf file](#) of this issue is available. It should print fairly easily. If you do not have the free pdf file reader, go to <http://www.adobe.com>

Coming Events

Table of Contents

Date	Event	Time
M - F	6 m FM net 52.540	6:00AM
M - F	round-table 52.525	8:00PM
T, T	Informal Wal-Mart (E)	10:00AM
M, W, F	Informal - Munson Center	10:00AM
Mon	WTRA Swap net 146.88	8 PM
Wed	Net 146.64	6:45PM
Mon	YL Rise & Shine 449.9	8:30AM
Sept 3	Breakfast - Club House	8 AM
Sept 3	Business meeting - Club House	9:15 AM
Sept 3	Alamagordo Hamfest	7 - 2 PM
Sept 7	Directors meeting - Club House	7 PM
Sept 24	Whole Enchilada race	

[COMING EVENTS](#)
[TABLE OF CONTENTS](#)
[SEPTEMBER MEETING](#)
[CW GROUP](#)
[CLUB HOUSE CLEANING](#)
[MINUTES OF BUSINESS MEETING](#)
[MINUTES OF BOARD OF DIRECTORS](#)
[INCOME/EXPENSE](#)
[BACK PAGE](#)



2005 July 4 Race

The space below is used for acknowledgements and maintaining the site.

Send comments, suggestions, and requests to [Alex. F. Burr](#) or send e-mail to [aburr @ qzxservices.com](mailto:aburr@qzxservices.com).

Technical assistance, net access, design, and maintenance provided by qzxservices.com

THE ARTICLES FOR THIS MONTH

SEPTEMBER MEETING

KD5ZHI

Guest speaker for the next regular buisness meeting will be Steve Horan. His topic will be (ARPS) Automatic Reporting Positioning System. This should be very intresting for a lot of us, I am looking forward to this, hope to see you there.

[.Return to Table of Contents](#)

CW GROUP

K5DI

The CQ Group met August 1 at the Clubhouse and we planned to work some CW stations on 20 meters but the beam had a high SWR. Dave Hassall brought his battery operated MFJ antenna analyzer and we went looking. for the problem. When we got to the tower base we found that both antennas come down from the top of the tower with hardline. This is very smart because the hardline will last forever. We figured out which was the beam and took the connector apart and got a reading that indicated the problem was on top. But when we put the connection back together it worked fine again. We have an issue with that connectors. The 80/40 antenna also has the same type of problem. We need to clean up the connectors and then tape them with electrical tape. Keeps the sun and dirt off.

All this took too much time so we just sat and talked for a while. I got a code practice CD-ROM to Dave Hassall and we talked about why CW is better.

The next meeting will be on September 5, 2005 and all who can come please do.

[Return to Table of Contents](#)

CLUB HOUSE CLEANING

AD5LJ

We will have a clubhouse cleaning party on Wednesday morning, 28 September. The work will

start about 9 AM. The plan is to dust, sweep and wash the interior of the clubhouse and also do some minor outside clean up.

We need volunteers! If you would like to help, please drop me an email at rbennett@zianet.com.

[Return to Table of Contents](#)

MINUTES OF AUGUST BUSINESS MEETING W5JRD

The MVRC met at the club house on August 6, 2005 for the regular business meeting. The meeting was called to order by president Jack Lemons (N5PK) at 9:05 am. After member introductions, the treasurer's report was read and accepted. The club has a total of \$10,142.75.

Reports:

- Cash Olsen (KD5SSJ) The Monthly breakfast continues to show a profit.
- George Kopp (KD5OHA) There are no races scheduled until the Whole Enchilada Fiesta.
- Bob Bennett (KD5LJ) The burglar alarm has not been being set and the water to the air conditioner not turned off by someone using the club house between meetings. It was decided to have an entry log to be signed whenever the facilities are used. Members currently having keys are Bob Bennett (4 sets), Tres Campbell (KD5ZHI), Karl Larsen (K5DI), George Kopp, Jack Lemons, and Cash Olsen.
- Tres Campbell (KD5ZHI) Potential future activities for the club are fox hunt, auction, and pot luck meal.

A motion was made by Cash Olsen to elect Judy Davis (W5JRD) to the office of Secretary. The motion was seconded by Tres Campbell and the motion passed.

Marnie Leverett (KA2FVO), scholarship committee chairperson, presented the committee recommendation concerning the \$600 annual scholarship. There were three applicants: Michael Turner (NR6R), Paige Stripling (KD5MEQ), and Allred Brady (KD5AEP). It was the recommendation to divide the scholarship between Michael Turner and Allred Brady. Cash Olsen made a motion that the \$600 be presented to Michael Turner since Allred Brady received the scholarship last year. The motion was seconded by Randy Adamson (KE5EMP). The motion passed.

A program on 6 meter operation was presented by Joe Ostrowski (KI5FJ).

The meeting was adjourned by President Jack Lemons.

[Return to Table of Contents](#)

MINUTES OF AUGUST BOARD OF DIRECTORS W5JRD

Board members in attendance were:

- Jack Lemons (N5PK)
- Sandra Hempfling (KJ5Q)
- Judy Davis (W5JRD)
- Cash Olsen (KD5SSJ)
- Bob Bennett (AD5LJ)
- George Kopp (KD5OHA)
- Tres Campbell (KD5ZHI)

President Jack Lemons called the meeting to order at 7:00 pm

The minutes of the last meeting were read by Judy Davis and approved.

The Treasurer's report was given by Sandra Hempfling. The club has \$10,142.72 total in all accounts as of July 31, 2005. The report was approved as read.

Ideas for next year's field day were discussed. Among the things mentioned were:

- Lessons by David Hassall (WA5DJJ) on use of the logging software
- Forming a team to erect the antennas and scheduling practice sessions prior to the event to avoid possible accidents and injuries
- Moving the station shelters closer together and powering them from a common generator.

Other items:

- Cash Olsen reported that the parts for the active attenuator for the fox hunt have been ordered
- Tres Campbell will check on the alarm system later in the week.
- Bob Bennett has set September 28 for clean-up and general maintenance session at the club house
- George Kopp reported that ham fests will be August 19 and 20 in Albuquerque and on Labor Day weekend in Alamogordo

The meeting was adjourned at 8:05 pm.

[Return to Table of Contents](#)

INCOME/EXPENSE

KJ5Q

Below is the summary for June and July. For a more complete report see the [IE](#) page.

Mesilla Valley Radio Club

Income/Expense

June 1 through July 31, 2005

INCOME 135.00

EXPENSES 247.49

Sandra Hempfling

Treasurer

[Return to Table of Contents](#)

June 1 through July 31, 2005

Beginning Balances

MVRC Checking Account	3578.43	
MVRC Savings Account	4104.18	
Education Fund Account	2523.13	
Cash on Hand	49.47	
Balances Total		10255.21

Income

Contributions	100.00	
Dues	35.00	
Total Income		135.00
Balances + Income		10390.21

Expenses

Field Day	162.05	
PO Box	48.00	
Utilities		
Telephone	26.38	
Water	11.06	
Total Expenses		247.49

Balances on hand, July 31, 2005 10142.72

Ending Balances

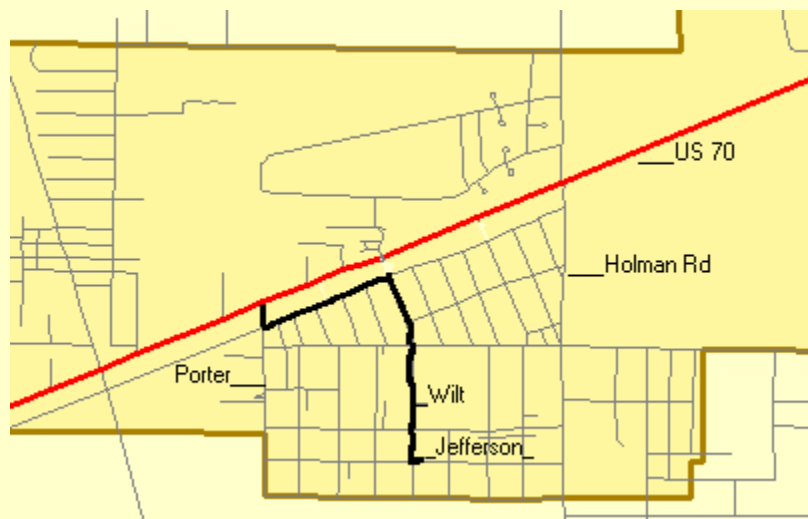
MVRC Checking Account	3465.94
MVRC Savings Account	4104.18
Education Fund Account	2523.13
Cash on Hand	49.47
Balances Total	10142.72

[Return to Local Oscillator first page](#)

[Return to home page](#)

CLUB INFORMATION

The MVRC Clubhouse is located at the intersection of Wilt and Jefferson in Hacienda Heights. To find the clubhouse, set your destination on your GPS receiver as 32 degrees 22.961 minutes and -106 degrees 41.44 minutes. If you don't own a gps, take the Porter exit on US 70. It is about 5 miles from the I 25 interchange, near the firehouse. Almost immediately south of the south frontage road on the south side of US 70, turn left toward the mountains until you come to Wilt. Turn right. There is a jog in the road, but at 0.35 miles you should come to Jefferson. If you can't see the tower and beam, you shouldn't be driving. The treasurer would be delighted to receive your contribution for landscaping and furnishing.



Officers

Office	Name	Call	Phone	e-mail
President	Jack Lemons	N5PK	526-9428	n5pk@zianet.com
Vice-President	Tres Campbell	KD5HZI	373-2008	trscam@netscape.net
Secretary	Judy Davis	W5JRD	522-6833	jhughes@nmsu.edu
Treasurer	Sandra Hempfling	KJ5Q	373-1166	kj5q@arrl.net
Board Members	Alex. Burr	K5XY	522-2528	k5xy@arrl.net
	Bob Bennett	AD5LJ	382-0148	rbennett@zianet.com
	George Kopp	KD5OHA	525-1956	geokd5oha@yahoo.com
	Cash Olsen	KD5SSJ	382-1917	casholsen@zianet.com
	Joe San Filippo	WZ5R	521-7574	sanfilippo@zianet.com

The newsletter is always looking for articles and notes of interest to the members of the Mesilla Valley Radio Club. Please send them to Alex. F. Burr, K5XY, Editor, MVRC Local Oscillator, 695 Stone Canyon Drive, Las Cruces, NM 88011. Small personal ads from members will also be published. It would be helpful if submissions would be made in a machine readable form. Windows readable disks are welcome. Files can also be sent to the Internet address k5xy@arrl.net. The club maintains a web site at <http://www.zianet.com/mvrc>.

JOIN THE CLUB

To join the Mesilla Valley Radio Club, renew your membership, or to support the repeaters, please print, cut out, and complete the form below. Send it with dues (\$35 single, \$45 family per year) to: Treasurer, MVRC, Box 1443, Las Cruces, NM 88004.

Name	
Box or street address	
City	

State	
Zip	
Call	
Class of license	
Phone	
e-mail	
ARRL Member?	

[Return to home page](#)

[Return to Local Oscillator first page](#)