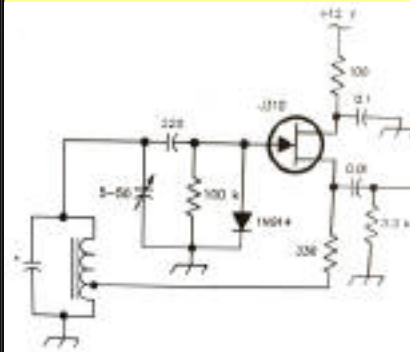


2005

Local Oscillator



August

Mesilla Valley Radio Club

A [pdf file](#) of this issue is available. It should print fairly easily. If you do not have the free pdf file reader, go to <http://www.adobe.com>

Events

Table of Contents

Date	Event	Time	
M - F	6 m FM net 52.540	6:00AM	EVENTS
M - F	round-table 52.525	8:00PM	TABLE OF CONTENTS
T, T	Informal Wal-Mart (E)	10:00AM	COMING EVENTS
M, W, F	Informal - Munson Center	10:00AM	PRESIDENT'S CORNER
Mon	WTRA Swap net 146.88	8 PM	AUGUST MEETING
Wed	Net 146.64	6:45PM	CW GROUP
Mon	YL Rise & Shine 449.9	8:30AM	ARRL STATE CONVENTION
Aug 6	Breakfast - Club House	8 AM	ARES
Aug 6	Business meeting - Club House	9:15 AM	INCOME/EXPENSE
Aug 10	Directors meeting - Club House	7 PM	BACK PAGE
Aug 19-20	ARRL STATE CONVENTION info at www.DukeCityHamfest.org		



2005 Field Day

[more pictures here](#)

The space below is used for acknowledgements and maintaining the site.

Send comments, suggestions, and requests to [Alex. F. Burr](#) or send e-mail to aburr@qzxservices.com.

Technical assistance, net access, design, and maintenance provided by qzxservices.com

THE ARTICLES FOR THIS MONTH

PRESIDENT'S CORNER

N5PK

Another field day has went into the history book and a critique indicates everyone participating enjoyed the weekend, had lots of new experiences, met interesting hams and non hams who stopped by to check out our field day operation and the different station set ups. The CW and phone stations did well on numbers of contacts however we did loose power on the phone station for several hours Saturday night but recovered nicely Sunday morning. Thanks to Bill, W5UMQ for stopping by with ice and sodas Saturday evening, nice treat.

We welcome another new member, Art Block, W3YK. Art and crew kept the air waves hot on the CW station the entire weekend. Art has been a long time supporter of the MVRC and it's good to welcome him back.

I was asked to attend a "sit down" meeting with our new Director of Community Development, Christine Ochs last week. The purpose was to help her understand the current ordinance as it applies to amateur radio and to give her a brief over view of the requirements set fourth in PRB-1. I thought our meeting went well even though a comment kept surfacing that the City Council was wanting to take a more active role in the granting of permits for antenna towers rather than leaving this task in the hands of "staff" which is the engineers and planners as is the current practice. Christine made her presentation to the City Council, today, the 25th and I didn't think it went well. I will continue to track the fall out on this item and keep everyone informed.

The adhoc committee for our scholarship recipient will bring their report at the August 6th meeting. Hope to see everyone there, bring someone with you!

[Return to Table of Contents](#)

AUGUST MEETING

KD5ZHI

Hello All, the monthly meeting presentation will be on the 6 meter magic band. Joe KI5FJ will have a flip chart presentation on six meters. He has some very interesting data he has collected and lots of experience on this band. For those who have not tried this band this will be great information as well as those that use it when you can I am sure you will find something of interest. Looking forward to the next meeting and thanks in advance

[Return to Table of Contents](#)

CW GROUP K5DI

Due to the 4th occurring on the first Monday of the month of July we met the second Monday which was July 11, 2005. Five members attended and Lee Pruitt KM5MC brought his PIC program board with a DDS daughter board and a special radio receiver he is building in breadboard form . The frequency is controlled by the DDS chip.

I brought my usual stuff that is a FT-817 radio and ear phones and my Bencher paddle and the Chuck Adams CW learning tool. Art Block bought his paddle and his keyer from MFJ which he planned to use with the Clubs Kenwood TS-440 radio on CW. We worked together for 30 minutes to get this radio to work and had to quit. The radio might be ok but our keyer could not key it.

So we then put my FT-817 5 watt rig on top of the 440 and Art worked a guy in South Carolina on 20 meters for about 20 minutes before the band dropped out. By then it was 9:30 pm and we called it a night.

I will bring a old MFJ keyer up and try it with the 440 radio. I know what plugs to bring. I hope it will work because we want the new people to see how a cw contact is made. We had fun trying to copy Art's sending and the guy in SC.

The next meeting will occur August 1, 2005 and please bring anything you want to show off. We will keep the meetings low key and fun like they have been.

As always, if you don't want to drive at night, you can get a ride from me to the Clubhouse and home again. Karl Larsen, 3310 East Street, Las Cruces, NM 88005, 505-640-1383

[Return to Table of Contents](#)

ARRL STATE CONVENTION N5ZGT

The 2005 Albuquerque Duke City Hamfest, will take place Friday August 19 thru Saturday August 20 in Albuquerque, New Mexico! This hamfest also serves as the ARRL New Mexico state convention The 2005 Duke City Hamfest will pick up where it left off last year -- bringing lots of Hams across New Mexico and surrounding states together

for a weekend of enjoyment, lots of equipment sales, dealers, informative forums, fun events, VE exams, TONS of prizes and a relaxing dinner banquet. Complete details can be found on the hamfest website (www.DukeCityHamfest.org)

[Return to Table of Contents](#)

ARES
WM5Z

It is already time to start planning! Mark your calendar in red ink!

The next organizational meeting for the Dona Ana County ARES (DACARES) will be held on August 9th, at 7:00 PM, 6:00 PM if you wish to eat before the meeting. The location is in the meeting room of "The Pitstop Cafe", 310 S. Motel, just South of Interstate 10.

The program for this meeting. Will be a guest speaker, Lew Maxwell, the EC for El Paso.

Also to be discussed will be continuation of organizational growth.

This meeting is for anyone who is an ARES member or wanting to join ARES. If you know someone not on this list that may be interested, please let them know.

[Return to Table of Contents](#)

INCOME/EXPENSE
KJ5Q

Below is the summary for May. For a more complete report see the [IE](#) page.

Mesilla Valley Radio Club
Income/Expense
May 1 through May 31, 2005

INCOME 124.95

EXPENSES 102.36

Sandra Hempfling
Treasurer

[Return to Table of Contents](#)

Mesilla Valley Radio Club

Income/Expense

June 1 through June 30, 2005

Beginning Balances, June 1		
MVRC Checking Account		3556.51
MVRC Savings Account		4103.51
Education Fund Account		2523.13
Cash on Hand		49.47
Balances Total		10232.62
INCOME		
Breakfast & Drinks	68.28	
Equipment Sales	56.00	
Interest Income	0.67	
TOTAL INCOME		124.95
Balances + Income		10357.57
EXPENSES		
Breakfast	33.64	
Field Day	31.03	
Utilities		
Telephone	26.38	
Water	11.31	
TOTAL EXPENSES		102.36
Balances on hand, May 31, 2005		10255.21
June 30, 1995		
Bank Accounts		
MVRC Checking	3578.43	
MVRC Savings Account	4104.18	
	7682.61	

Cash Accounts			
	MVRC Petty Cash	49.47	
Education Fund			
	Education Fund Account	2523.13	
	Total		10255.21
		Sandra Hempfling	
		Treasurer	

Income/Expense

May 1 through May 31, 2005

Beginning Balances, May 1

MVRC Checking Account	3425.61
MVRC Savings Account	4102.81
Education Fund Account	2540.13
Cash on Hand	<u>49.47</u>

Balances Total 10118.02

INCOME

Breakfast & Drinks	72.00
Dues	70.00
Equipment Sales	58.00
TOTAL INCOME	<u>200.00</u>

Balances + Income 10318.02

EXPENSES

Breakfast	31.47
Utilities	
Telephone	26.38
Water	11.33
TOTAL EXPENSES	<u>69.18</u>

**Balances on hand, May 31,
2005**

10248.84

May 31, 2005

Bank Accounts

MVRC Checking	3556.43	
MVRC Savings Account	<u>4102.81</u>	
		7659.24

Cash Accounts

MVRC Petty Cash		49.47
-----------------	--	-------

Education Fund

Education Fund Account	<u>2540.13</u>	
------------------------	----------------	--

Total

10248.84

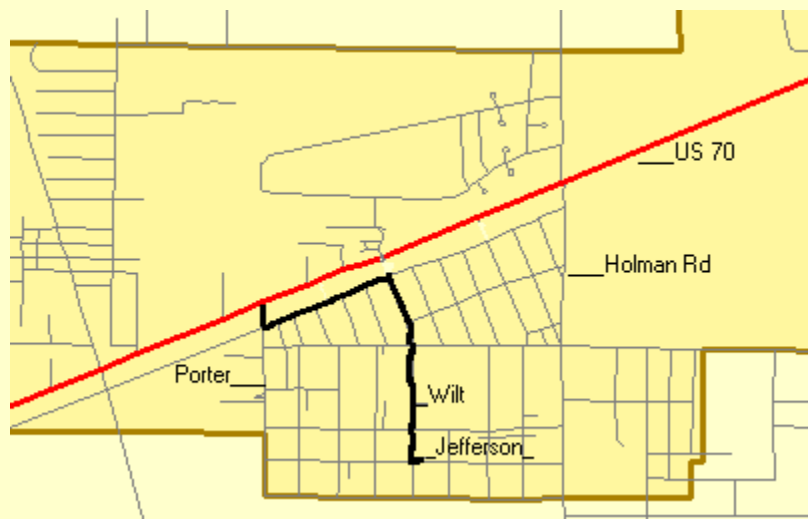
Sandra Hempfling
Treasurer

[Return to Local Oscillator first page](#)

[Return to home page](#)

CLUB INFORMATION

The MVRC Clubhouse is located at the intersection of Wilt and Jefferson in Hacienda Heights. To find the clubhouse, set your destination on your GPS receiver as 32 degrees 22.961 minutes and -106 degrees 41.44 minutes. If you don't own a gps, take the Porter exit on US 70. It is about 5 miles from the I 25 interchange, near the firehouse. Almost immediately south of the south frontage road on the south side of US 70, turn left toward the mountains until you come to Wilt. Turn right. There is a jog in the road, but at 0.35 miles you should come to Jefferson. If you can't see the tower and beam, you shouldn't be driving. The treasurer would be delighted to receive your contribution for landscaping and furnishing.



Officers

Office	Name	Call	Phone	e-mail	
President	Jack Lemons	N5PK	526-9428	n5pk@zianet.com	
Vice-President	Tres Campbell	KD5HZI	373-2008	trscam@netscape.net	
Secretary	Judy Davis	W5JRD	522-6833	jhughes@nmsu.edu	
Treasurer	Sandra Hempfling	KJ5Q	373-1166	kj5q@arrl.net	
Board Members	Alex. Burr	K5XY	522-2528	k5xy@arrl.net	
	Bob Bennett	AD5LJ	382-0148	rbennett@zianet.com	
	George Kopp	KD5OHA	525-1956	geokd5oha@yahoo.com	
	Cash Olsen	KD5SSJ	382-1917	casholsen@zianet.com	
	Joe San Filippo	WZ5R	521-7574	sanfilippo@zianet.com	

The newsletter is always looking for articles and notes of interest to the members of the Mesilla Valley Radio Club. Please send them to Alex. F. Burr, K5XY, Editor, MVRC Local Oscillator, 695 Stone Canyon Drive, Las Cruces, NM 88011. Small personal ads from members will also be published. It would be helpful if submissions would be made in a machine readable form. Windows readable disks are welcome. Files can also be sent to the Internet address k5xy@arrl.net. The club maintains a web site at <http://www.zianet.com/mvrc>.

JOIN THE CLUB

To join the Mesilla Valley Radio Club, renew your membership, or to support the repeaters, please print, cut out, and complete the form below. Send it with dues (\$35 single, \$45 family per year) to: Treasurer, MVRC, Box 1443, Las Cruces, NM 88004.

Name	
Box or street address	
City	

State	
Zip	
Call	
Class of license	
Phone	
e-mail	
ARRL Member?	

[Return to home page](#)

[Return to Local Oscillator first page](#)

Click on thumbnail to get large picture. Use back button to return here



2005 Field Day Entrance



Overall view of most of the site



Overview of cw site



CW operating position



SSB operating position



Generator problems



Bigger generator problems



Satellite antennas



Setting up the food shelter

Note first casualty of antenna set up



Setting out the food



Eating