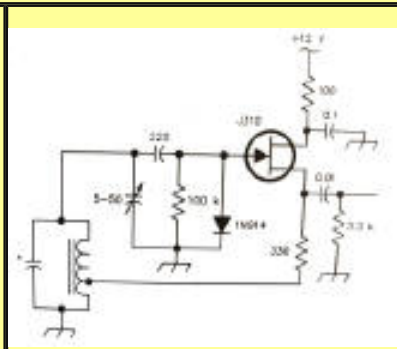


2005

Local Oscillator



July

Mesilla Valley Radio Club

A [pdf file](#) of this issue is available. It should print fairly easily. If you do not have the free pdf file reader, go to <http://www.adobe.com>

Events

Table of Contents

Date	Event	Time	
M - F	6 m FM net 52.540	6:00AM	EVENTS
M - F	round-table 52.525	8:00PM	TABLE OF CONTENTS
T, T	Informal Wal-Mart (E)	10:00AM	COMING EVENTS
M, W, F	Informal - Munson Center	10:00AM	PRESIDENT'S CORNER
Mon	WTRA Swap net 146.88	8 PM	JUNE 25 and 26, FIELD DAY
Wed	Net 146.64	6:45PM	JULY MEETING
Mon	YL Rise & Shine 449.9	8:30AM	CW GROUP
June 25-26	Field Day Missouri and Don Roser		RACES
July 2	NO Breakfast - Club House	8 AM	BOARD OF DIRECTORS
July 2	NO Business meeting - Club House	9:15 AM	MVRC BUSINESS MEETING
July 4	Race at Burn Lake		ROCKY MOUNTAIN DIVISION HAMFEST
July 13	Directors meeting - Club House	7 PM	INCOME/EXPENSE
July 29-21	Rocky Mountain Division info at www.utahhamfest.org		BACK PAGE



2005 Bean Feed

The space below is used for acknowledgements and maintaining the site.

Send comments, suggestions, and requests to [Alex. F. Burr](mailto:aburr@qzxservices.com) or send e-mail to aburr@qzxservices.com.

Technical assistance, net access, design, and maintenance provided by qzxservices.com

THE ARTICLES FOR THIS MONTH

PRESIDENT'S CORNER

N5PK

Well, the Elmering session the 11th of June went off smoothly, even though club member and officer participation was disappointing. Several brought in their 2 meter and 70 cm equipment for all to see and to demonstrate it's operation. Many questions were asked and information exchanged. We all enjoyed the getting together and talking about our equipment. Those present all agreed that even though the attendance was disappointing, this event is important to the life of our club and will be repeated in the near future.

On the 18th, field day antennas, associated hardware and equipment were set up at the club property, checked out, taken down and made ready for transport to the field day site. We have in hand the proclamation presented the the MVRC by the City Council, proclaiming the week of June 20 through June 26 as "Amateur Radio Week". All that remains now is that we collectively go out and have a great field day experience. Remember, the location is the corner of Don Roser and Missouri. Come out and fine tune your communication skills or get over "mike fright". Hope to see each of you there.

A reminder for all, the July club meeting falls on the July fourth week end and the officers and board of directors have canceled that meeting. We will send out notices concerning the August meeting so no one will forget and you will be informed of the events in July as those events get near. We still have lot's to accomplish this year. Help us get this message out please

Our year is nearly half gone. If there are issues that you feel are important that we have not yet addressed or something we've overlooked that needs attention, please contact me or another officer at the numbers listed under officers. This is your club and if we are to do the best job at attaining our goals, we very much need your inputs.

[Return to Table of Contents](#)

JUNE 25 and 26, FIELD DAY

KD5OHA

This coming weekend June 25 and 26 The Mesilla Valley Amateur Radio Club will be participating in the annual ARRL Field Day Event. It starts at noon Saturday and runs till noon Sunday. Everyone is invited to come out and see how we operate under emergency conditions with battery power and portable base station antennas. Come out to the corner of Don Roser & Missouri and find out what amateur radio is all about and how to get involved. You can even get on the air and talk across the United States. So come on out, bring your family, kids, and friends.

[Return to Table of Contents](#)

NO JULY MEETING N5PK

Since our regular meeting date falls during the Independence Day holiday weekend, there will be no club breakfast or meeting in July.

Remember Field Day is June 25 and 26 – located at the corner of Don Roser and Missouri Streets.

[Return to Table of Contents](#)

CW GROUP K5DI

We had a nice crowd at the last meeting and we talked about many things often with 2 conversations going at the same time. One item is very important. Since the next first Monday is July 4th we decided to move the meeting to July 11th at 7 PM.

Now we have 5 people improving there code speed using the CD-Rom with MP3 code from Chuck Adam. I'm using the paper in pdf form on this CD to learn how to use Iambic keying.

We discovered that not all the members can get on the air. Some are missing a radio, some are missing an antenna. Some are not sure one or another will work on 40 meters at 7.142 MHz. So here are some ideas on antennas. I like the 44 foot long dipole fed with 450 ohm ribbon. The ribbon goes to an antenna tuner with a parallel feed line input. Almost all MFJ Tuners have this feature.

Simpler is a 64 foot long dipole fed with RG-8X coax. This antenna will work on 40 and 15 meters.

The best way to get on the air is with a known good 40 meter radio from Small Wonders Lab. They have a web site at: <http://www.smallwonderlabs.com/> You want to order the SW+ 40 Meter kit which will cost \$55.00. Of course you need to put this kit together. There will be help at these meetings if you need it. We will talk about the design of this radio and why it's such a good CW radio.

As always, if you don't want to drive at night, you can get a ride from me to the Clubhouse and home again. Karl Larsen, 3310 East Street, Las Cruces, NM 88005, 505-640-1383

[Return to Table of Contents](#)

RACES KD5OHA

Attention Members of the Mesilla Valley Radio Club. We have races coming up that I will need help with. The first one is July 4th at Burn Lake. The next one is July 9th. It starts at the park by the Rio Grande river bridge on Picacho and goes down the river trail two and one half miles and then back to the same park. The next one is a new race this year. If it is approved, it will be July 23. More details coming as soon as Don Shepan gets them to me.

[Return to Table of Contents](#)

MINUTES OF JUNE 2005 BOARD OF DIRECTORS W5JRD

The monthly meeting of the Board of Directors of MVRC was held on June 8, 2005 at the club house. Those in attendance: Jack Lemons (N5PK), Tres Cambell (KO5ZHI), Sandra Hempfling (KJ5Q), Alex Burr (K5XY), George Kopp (KD5OHA), and Judy Davis (W5JRD).

The meeting was called to order by President Jack Lemons at 7:05 PM.

There were no minutes from the last meeting. The treasurer's report was read by Sandra Hempfling. The Club has a balance of \$10,248.84 as of May 31, 2005. It was decided to try and make the educational fund self sufficient. The club will also buy the meat for the Field Day event.

It was reported that the paper work for the city council's proclamation has been submitted marking Amateur Radio Week. Letters to elected officials and press releases have been sent. A thank you note was also sent to Eddie Binns for the use of his property for Field Day.

There will be a practice session for Field Day on June 18 at 8:00 AM at the club house and an Elmering session will be held on June 11 at 10:00 AM at the club house.

A discussion of the points system for Field Day was given by Alex Burr. Tres Cambell volunteered to update the information packet for the event.

The inventory list for the club was submitted by Tres Cambell and approved.

Alex Burr requested that the Local Oscillator reports need to be in to him by Monday, June 20.

Because of the July 4 holiday, there will be no July meeting.

The meeting was adjourned.

Submitted by Judy Davis, acting secretary

[Return to Table of Contents](#)

MINUTES OF JUNE 2005 MVRC BUSINESS MEETING W5JRD

The MVRC met at the club house June 4, 2005 for the monthly business meeting. Vice President Tres Cambell (KO5ZHI) called the meeting to order at 9:15 AM.

All present introduced themselves. Two new members, Leslie Morrell (KW5ST) and Randy Adamson (KE5EMP) were introduced.

Minutes of the meeting of May 7, 2005 were read and approved.

Treasurer's report was given by Sandra Hempfling (KJ5Q). Our balance from all accounts is \$10,248.84 as of May 31, 2005. The report was approved.

Cash Olsen (KD5SSJ) announced that the Elmering event for new hams will be on June 11, 2005 at 10:00 AM at the club house. Volunteers are needed for support and equipment.

Marny Leverette (KA2FVO), promotional chairman for the Feld Day event, reported that the city will issue a proclamation marking amateur radio week ending with Field Day on June 26, 2005. The city council will announce this at their June 20, 2005 meeting. Club members are encouraged to attend this meeting. Announcements for Field Day are being sent to the local news papers and TV stations. Leslie Morrell volunteered to assist.

Cash Olsen will have a BBQ for those helping to set up at 7:00 PM on Saturday, June 25.

George Kopp (KD5OHA) announced that the area at Don Roser and Missouri Streets has been secured. Two motor homes and a travel trailer will be provided by club members for use as operating stations. A practice session will be held at 8:00 AM on Saturday June 18, 2005 at the club house.

George Kopp announced that the club will support a race at Burn Lake on July 4, 2005.

Cash Olsen, the new director for RACES (Radio Amateur Civil Emergency System), requested that operators interested in participating in RACES sign up on the provided sheet. An exercise will be held on June 29, 2005 to train radio operators and medical personnel in emergence operations. Volunteers are needed.

The program was presented by Jim Leverette (WA2NIJ) about the search and rescue organization and the part amateur radio operators play in it.

The meeting was adjourned.

Submitted by Judy Davis, acting secretary

[Return to Table of Contents](#)

ROCKY MOUNTAIN DIVISION HAMFEST N5ZGT

The 2005 ARRL Rocky Mountain Division convention, sponsored by the Utah Hamfest, will be held on Friday, July 29 thru Sunday, July 31 at Ruby's Inn, just outside of Bryce Canyon National Park, Utah. Rooms reserved by July 1 are discounted as low as \$53 per night. RV camping is also available.

Features include FCC's Riley Hollingsworth K4ZDH, exhibitor and vendor displays, ARRL forum and meetings, a multitude of special interest sessions, plus:

- Wouff Hong ceremony
- Transmitter Hunt
- Mobile installation and homebrew contests
- CW copying and transformer tossing competitions
- QLF contest (how good are you at keying CW.with your left food?)
- VE sessions
- RV Camping
- Activities for non-Hams
- Prizes
- Friday evening Eyeball QSO Party BBQ dinner hosted by the organizers
- Saturday evening Dutch oven cook-off
- Sunday morning Breakfast Banquet
- And more!

Come on out and enjoy the beauty of Bryce Canyon, as well as the fun of a great Hamfest. Help us spread the word, and book your room now at a special rate. Don't miss the 2005 Rocky Mountain Division convention!

For more information, including registration forms, swing by

<http://www.utahhamfest.org>

[Return to Table of Contents](#)

INCOME/EXPENSE KJ5Q

Below is the summary for May. For a more complete report see the [IE](#) page.

Mesilla Valley Radio Club
Income/Expense
May 1 through May 31, 2005

INCOME 200.00

EXPENSES 69.18

Sandra Hempfling
Treasurer

[Return to Table of Contents](#)

Mesilla Valley Radio Club Income/Expense

May 1 through May 31, 2005

Beginning Balances, May 1

MVRC Checking Account	3425.61
MVRC Savings Account	4102.81
Education Fund Account	2540.13
Cash on Hand	<u>49.47</u>

Balances Total 10118.02

INCOME

Breakfast & Drinks	72.00
Dues	70.00
Equipment Sales	58.00

TOTAL INCOME 200.00

Balances + Income 10318.02

EXPENSES

Breakfast	31.47
Utilities	
Telephone	26.38
Water	11.33

TOTAL EXPENSES 69.18

**Balances on hand, May 31,
2005**

10248.84

May 31, 2005

Bank Accounts

MVRC Checking	3556.43
MVRC Savings Account	<u>4102.81</u>
	7659.24

Cash Accounts

MVRC Petty Cash	49.47
-----------------	-------

Education Fund

Education Fund Account

2540.13

Total

10248.84

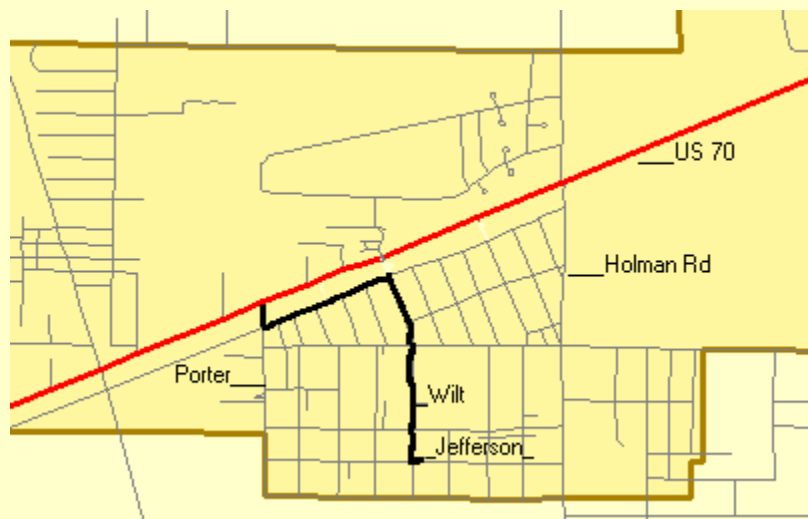
Sandra Hempfling
Treasurer

[Return to Local Oscillator first page](#)

[Return to home page](#)

CLUB INFORMATION

The MVRC Clubhouse is located at the intersection of Wilt and Jefferson in Hacienda Heights. To find the clubhouse, set your destination on your GPS receiver as 32 degrees 22.961 minutes and -106 degrees 41.44 minutes. If you don't own a gps, take the Porter exit on US 70. It is about 5 miles from the I 25 interchange, near the firehouse. Almost immediately south of the south frontage road on the south side of US 70, turn left toward the mountains until you come to Wilt. Turn right. There is a jog in the road, but at 0.35 miles you should come to Jefferson. If you can't see the tower and beam, you shouldn't be driving. The treasurer would be delighted to receive your contribution for landscaping and furnishing.



Officers

Office	Name	Call	Phone	e-mail
President	Jack Lemons	N5PK	526-9428	n5pk@zianet.com
Vice-President	Tres Campbell	KD5HZI	373-2008	trscam@netscape.net
Secretary	Judy Davis	W5JRD	522-6833	jhughes@nmsu.edu
Treasurer	Sandra Hempfling	KJ5Q	373-1166	kj5q@arrl.net
Board Members	Alex. Burr	K5XY	522-2528	k5xy@arrl.net
	Bob Bennett	AD5LJ	382-0148	rbennett@zianet.com
	George Kopp	KD5OHA	525-1956	geokd5oha@yahoo.com
	Cash Olsen	KD5SSJ	382-1917	casholsen@zianet.com
	Joe San Filippo	WZ5R	521-7574	sanfilippo@zianet.com

The newsletter is always looking for articles and notes of interest to the members of the Mesilla Valley Radio Club. Please send them to Alex. F. Burr, K5XY, Editor, MVRC Local Oscillator, 695 Stone Canyon Drive, Las Cruces, NM 88011. Small personal ads from members will also be published. It would be helpful if submissions would be made in a machine readable form. Windows readable disks are welcome. Files can also be sent to the Internet address k5xy@arrl.net. The club maintains a web site at <http://www.zianet.com/mvrc>.

JOIN THE CLUB

To join the Mesilla Valley Radio Club, renew your membership, or to support the repeaters, please print, cut out, and complete the form below. Send it with dues (\$35 single, \$45 family per year) to: Treasurer, MVRC, Box 1443, Las Cruces, NM 88004.

Name	
Box or street address	
City	

State	
Zip	
Call	
Class of license	
Phone	
e-mail	
ARRL Member?	

[Return to home page](#)

[Return to Local Oscillator first page](#)