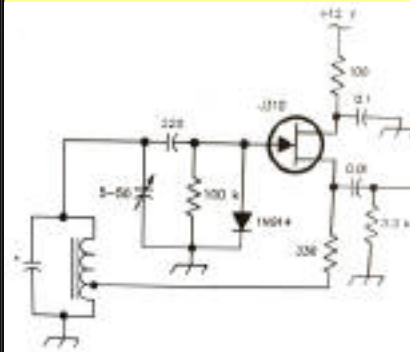


2005

# Local Oscillator



June

Mesilla Valley Radio Club

A [pdf file](#) of this issue is available. It should print fairly easily. If you do not have the free pdf file reader, go to <http://www.adobe.com>

## Events

## Table of Contents

Date	Event	Time
M - F	6 m FM net 52.540	6:00AM
M - F	round-table 52.525	8:00PM
T, T	Breakfast Wal-Mart (E)	10:00AM
M, W, F	Informal - Munson Center	10:00AM
Mon	WTRA Swap net 146.88	8 PM
Wed	Net 146.64	6:45PM
June 4	Breakfast - Club House	8 AM
June 4	Business meeting - Club House	9:15 AM
June 4	Pot Luck Hamfest Camp Chimney Spring	
June 3-4	HAM COM Arlington TX	
June 8	Directors meeting - Club House	7 PM
June 25-26	Field Day	
July 29-31	Rocky Mountain Division info at <a href="http://www.utahhamfest.org">www.utahhamfest.org</a>	

### EVENTS

[TABLE OF CONTENTS](#)

[COMING EVENTS](#)

[PRESIDENT'S CORNER](#)

[JUNE 25 and 26, FIELD DAY](#)

[BEAN FEED](#)

[CW GROUP](#)

[THANKS FOR BEAN FEED](#)

[SUPPORT](#)

[QRP FIELD DAY](#)

[BEAN FEED WINNERS](#)

[ROCKY MOUNTAIN DIVISION](#)

[HAMFEST](#)

[INCOME/EXPENSE](#)

[BACK PAGE](#)



# 2005 Bean Feed

The space below is used for acknowledgements and maintaining the site.

Send comments, suggestions, and requests to [Alex. F. Burr](#) or send e-mail to [aburr @ qzxservices.com](mailto:aburr@qzxservices.com).

Technical assistance, net access, design, and maintenance provided by [qzxservices.com](http://qzxservices.com)

# Mesilla Valley Radio Club

## Income/Expense

April 1 through April 30, 2005

Beginning Balances, April 1

MVRC Checking Account	1587.61
MVRC Savings Account	4102.13
Education Fund Account	2417.79
Cash on Hand	<u>49.47</u>

Balances Total 8157.00

### INCOME

50-50 Prize	58.00
Bean Feed (food)	340.02
Breakfast & Drinks	78.90
Contributions	165.00
Dues	420.00
Newsletter for Mailing	60.00
Equipment Sales	1207.00
Education	574.00
Interest Income	<u>0.68</u>

**TOTAL INCOME** 2903.60

**Balances + Income** 11060.60

### EXPENSES

Bean Feed	227.67
Breakfast	62.23
Misc	54.42
Utilities	
Telephone	26.36
Water	10.98
Propane	19.26
Education Classes	<u>541.66</u>

**TOTAL EXPENSES** 942.58

**Balances on hand, April 30,  
2005**

10118.02

**April 30, 2005**

Bank Accounts

MVRC Checking	3425.61	
MVRC Savings Account	<u>4102.81</u>	
		7528.42

Cash Accounts

MVRC Petty Cash		49.47
-----------------	--	-------

Education Fund

Education Fund Account	<u>2540.13</u>	
------------------------	----------------	--

**Total**

10118.02

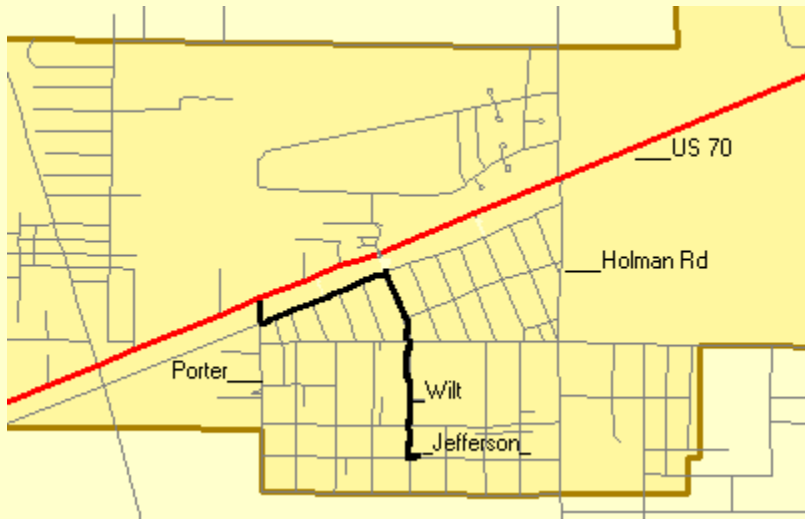
Sandra Hempfling  
Treasurer

[Return to home page](#)

[Return to Local Oscillator first page](#)

## CLUB INFORMATION

The MVRC Clubhouse is located at the intersection of Wilt and Jefferson in Hacienda Heights. To find the clubhouse, set your destination on your GPS receiver as 32 degrees 22.961 minutes and -106 degrees 41.44 minutes. If you don't own a gps, take the Porter exit on US 70. It is about 5 miles from the I 25 interchange, near the firehouse. Almost immediately south of the south frontage road on the south side of US 70, turn left toward the mountains until you come to Wilt. Turn right. There is a jog in the road, but at 0.35 miles you should come to Jefferson. If you can't see the tower and beam, you shouldn't be driving. The treasurer would be delighted to receive your contribution for landscaping and furnishing.



## Officers

Office	Name	Call	Phone	e-mail
President	Jack Lemons	N5PK	526-9428	<a href="mailto:n5pk@zianet.com">n5pk@zianet.com</a>
Vice-President	Tres Campbell	KD5HZI	373-2008	<a href="mailto:trscam@netscape.net">trscam@netscape.net</a>
Secretary	Judy Davis	W5JRD	522-6833	
Treasurer	Sandra Hempfling	KJ5Q	373-1166	<a href="mailto:kj5q@arrl.net">kj5q@arrl.net</a>
Board Members	Alex. Burr	K5XY	522-2528	<a href="mailto:k5xy@arrl.net">k5xy@arrl.net</a>
	Bob Bennett	AD5LJ	382-0148	<a href="mailto:rbennett@zianet.com">rbennett@zianet.com</a>
	George Kopp	KD5OHA	525-1956	<a href="mailto:geokd5oha@yahoo.com">geokd5oha@yahoo.com</a>
	Cash Olsen	KD5SSJ	382-1917	<a href="mailto:casholsen@zianet.com">casholsen@zianet.com</a>
	Joe San Filippo	WZ5R	521-7574	<a href="mailto:sanfilippo@zianet.com">sanfilippo@zianet.com</a>
	Brad Sacca	KC5SKE	382-4380	<a href="mailto:sheikyerbouty@uswest.net">sheikyerbouty@uswest.net</a>

The newsletter is always looking for articles and notes of interest to the members of the Mesilla Valley Radio Club. Please send them to Alex. F. Burr, K5XY, Editor, MVRC Local Oscillator, 695 Stone Canyon Drive, Las Cruces, NM 88011. Small personal ads from members will also be published. It would be helpful if submissions would be made in a machine readable form. Windows readable disks are welcome. Files can also be sent to the Internet address [k5xy@arrl.net](mailto:k5xy@arrl.net). The club maintains a web site at <http://www.zianet.com/mvrc>.

### JOIN THE CLUB

To join the Mesilla Valley Radio Club, renew your membership, or to support the repeaters, please print, cut out, and complete the form below. Send it with dues (\$35 single, \$45 family per year) to: Treasurer, MVRC, Box 1443, Las Cruces, NM 88004.

Name	
Box or street address	

Club Information

City	
State	
Zip	
Call	
Class of license	
Phone	
e-mail	
ARRL Member?	

[Return to home page](#)

[Return to Local Oscillator first page](#)

## THE ARTICLES FOR THIS MONTH

### PRESIDENT'S CORNER

N5PK

First, a special congratulations to the eleven folks who passed their Technician test at our last class and test secession. They are Daniel Califf, Melissa Glasscock, Erik Montoya, Melvin Barlow, Randy Adamson, Aaron Forrester, Albert Wilken, Leslie and Jonathon Morrell and Pat Bryant. We all welcome you to the Mesilla Valley Radio Club (MVRC) and into the fraternity of Amateur Radio. We pledge to assist each of you in finding your "nitch" within our hobby and within the MVRC. Welcome back to members Norman Remley and Shelton Pricer and to new members William and Madeline Patterson.

Next event of major importance is Field Day "2005". If you will be available for set up, logging or operating, please call George Kopp at 525-1956 or send an e-mail to the address listed under officers. We need lots of volunteers for all areas if we are to have a competitive and fun field day.

I am still looking for general class and higher operators to volunteer to open the club station to provide an opportunity and assistance to those interested in getting on the air who either do not have a home station or those Technicians without privileges on HF to do so Call me at 526-9428 if this interests you.

There will be a "pot luck" tail gate fest at the Chimney Springs Camp ground near Mayhill NM. The turn off to the camp ground is opposite the entrance to Cloud Country. Meat will be provided, bring a covered dish. June 4th,meal to be served between 12:30 and 1:00.

HamCom, Arlington Convention Center, Arlington TX, June 3rd-5th, See web page for details.

[Return to Table of Contents](#)

### JUNE 25 and 26, FIELD DAY

KD5OHA

This is a time when Amateur Radio operators from all over get together and set up stations in outdoor area. They set up portable antennas and operate from emergency power sources. They compete for points for number of c0ntacts and other awards. The purpose is to demonstrate that amateur radio is a fun and functional service for emergency and long distant communication.



This year field day will be held at the vacant lot at the corner of Missouri and Don Roser streets. We need help with set-up/take-down, cw operation and logging, phone operation and logging, 2 m and 6 m operating and logging. If you would like to help with set-up/take-down, contact George (525-1956) or e-mail [geokd5oha@yahoo.com](mailto:geokd5oha@yahoo.com) or Henry (526-1922) or e-mail [hschotzko@zianet.com](mailto:hschotzko@zianet.com). To help with cw contact Richard (524-9322) or e-mail [kc5kwi@aol.com](mailto:kc5kwi@aol.com). To help with phone contact Rodney (522-6833 or e-mail [rod@davis-domain.com](mailto:rod@davis-domain.com). To help with 2 o 6 meters contact George (525-1956) or e-mail [geokd5oha@yahoo.com](mailto:geokd5oha@yahoo.com).

If you have any questions, comments, or suggestions contact George (525-1956) or e-mail [geokd5oha@yahoo.com](mailto:geokd5oha@yahoo.com) or Jack (526-9428 or e-mail [n5pk@zianet.com](mailto:n5pk@zianet.com).

[Return to Table of Contents](#)

## BEAN FEED K5XY

The annual bean feed was a big success. But it did not start out that way. It rained. But, fortunately, not heavily. The commercial vendors were able to set up inside, so everything got off to a good start. Our president predicted that the rain would stop at 8AM and by 8:30 no drops were falling. People came from three states and two countries, keeping the boy Scouts busy directing traffic into the parking lot. And speaking of lots, lots of boat anchors were exchanged.

The club was fortunate to have two large commercial vendors selling equipment at the hamfest. It is the only time that many of us can get to see new ham gear up close and not just in pictures.

I was personally the beneficiary of the Rad-Com visit. I was coming back from the Albuquerque hamfest and had pulled over to the side of I 25 to work a little 20m mobile when the Rad-Com vehicle putted to a screeching halt in front of me. He had seen my 20 m whip and stopped to see if I needed any assistance.

The Southwest Antenna people were quite pleased with their reception. They said that it was a better (and more profitable) hamfest than the Albuquerque one the day before.

Beans were served as usual and the club sold a lot of donated equipment, which will certainly help our finances.

Pictures of the 2005 Bean Feed are available [here](#).

[Return to Table of Contents](#)

## CW GROUP K5DI

This Group meets the first Monday of each month at 7PM at the MVRC Clubhouse. The purpose of the Group is to get people who like CW together. It is OK to like SSB and other things too. We talk about ways to get your CW speed up and nice CW radios. There is a QRP contest that last month we participated in. It was fun and used real fast CW. I will bring some of the cd-rom's with the good CW learning method and all you need is a MP-3 player. They are cheap at Wal-Mart.

So if this sounds interesting show up next month. By the way, if the night driving bothers you let me know and we can bring you and take you home. Karl Larsen, 3310 East Street, Las Cruces, NM 88005, 505-640-1383  
[Return to Table of Contents](#)

## THANKS FOR BEAN FEED SUPPORT N5WQ

Thanks for all the donations of equipment and supplies for the Bean Feed sale and another big thank you to everyone who made a purchase. We had a good sales year. It helped meet our goal for the budget.

Also, thanks to all for helping to control the blue tarp for weather protection. This also helped in the sales for the club.

We are almost sold out of items so as you find things that can be sold next year, please bring them to a meeting or call Jack to arrange for someone to pick up at your convenience.  
[Return to Table of Contents](#)

## QRP FIELD DAY K5DI

I am going to have a Field Day at the location the Club has used several years near Sun Spot NM. all the transmitters will operate at 5 watts or less. My trailer will have the radio used for CW and the antenna will be a 88 foot zepp that works all bands from 80 to 10 meters. The radio, a Yaesu FT-817, does cover 6 meters and also 2 meters and 70 Cm. We will try these bands as well.

If no-one brings a SSB station then the station in my trailer will be used for SSB as well. What I need are Hams who would enjoy

operating the station(s) during the FD period which is from 12 noon on Saturday June 24 to 12 noon on June 25. Meals will be prepared in my trailer and will be good food.

Please contact me at 524-3303 if you are interested.

[Return to Table of Contents](#)

## BEAN FEED WINNERS

Winner of 50/50 = N8DBC, Marie Sinden, Club Member

Winner of Fire Extinguishers =

AB5FG, Doug Ream, Club Member

KA0HPK, Rusty Landes from Deming, NM

Thanks to Dimar Systems (N7CYY, Marty and KD5ZHI, Tres Campbell) for the contribution of the fire extinguishers.

[Return to Table of Contents](#)

## ROCKY MOUNTAIN DIVISION HAMFEST

N5ZGT

The 2005 ARRL Rocky Mountain Division convention, sponsored by the Utah Hamfest, will be held on Friday, July 29 thru Sunday, July 31 at Ruby's Inn, just outside of Bryce Canyon National Park, Utah. Rooms reserved by July 1 are discounted as low as \$53 per night. RV camping is also available.

Features include FCC's Riley Hollingsworth K4ZDH, exhibitor and vendor displays, ARRL forum and meetings, a multitude of special interest sessions, plus:

- Wouff Hong ceremony
- Transmitter Hunt
- Mobile installation and homebrew contests
- CW copying and transformer tossing competitions
- QLF contest (how good are you at keying CW.with your left food?)
- VE sessions
- RV Camping
- Activities for non-Hams
- Prizes
- Friday evening Eyeball QSO Party BBQ dinner hosted by the organizers
- Saturday evening Dutch oven cook-off
- Sunday morning Breakfast Banquet

- And more!

Come on out and enjoy the beauty of Bryce Canyon, as well as the fun of a great Hamfest. Help us spread the word, and book your room now at a special rate. Don't miss the 2005 Rocky Mountain Division convention!

For more information, including registration forms, swing by

<http://www.utahhamfest.org>

[Return to Table of Contents](#)

## INCOME/EXPENSE

KJ5Q

Below is the summary of all the club accounts including reserves. For a more complete report see the [IE](#) page.

April 30, 2005

Beginning Balances – Checking, Savings, and Education		8157.00
Total Income	2903.60	
Balances & Income		11060.60
Total Expenses	942.58	
Balances on hand, April 30, 2005		10118.02

[Return to Table of Contents](#)