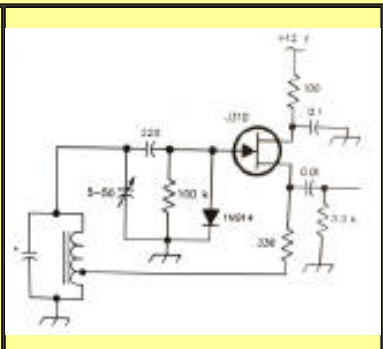
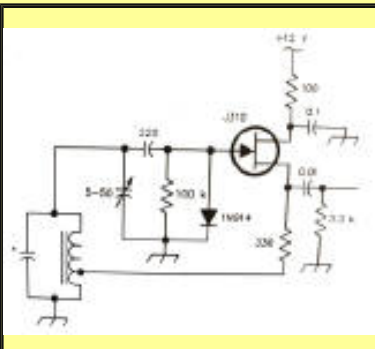


Local Oscillator



2005

Mesilla Valley Radio Club

April

A [pdf file](#) of this issue is available. It should print fairly easily. If you do not have the free pdf file reader, go to <http://www.adobe.com>

Events

Table of Contents

Date	Event	Time
M - F	6 m FM net 52.540	6:00AM
M - F	round-table 52.525	8:00PM
T, T	Breakfast Wal-Mart (E)	10:00AM
M, W, F	Informal - Munson Center	10:00AM
Mon	WTRA Swap net 146.88	8 PM
Wed	Net 146.64	6:45PM
April 2	Breakfast - Club House	8 AM
April 2	Business meeting - Club House	9:15 AM
April 2	race	
April 6	Directors meeting - Club House	7 PM
April 8 - 10	Tech Class	
April 9	MS walk	
April 17	Triathlon	
April 24	Bean Feed	
June 25-26	Field Day	

- EVENTS
- TABLE OF CONTENTS
- COMING EVENTS
- [PRESIDENT'S CORNER](#)
- [KC5IEC](#)
- [APRIL PROGRAM](#)
- [HELP!](#)
- [MINUTES](#)
- [INCOME/EXPENSE](#)
- [BACK PAGE](#)





Pre-Meeting Antenna Inspection

The space below is used for acknowledgements and maintaining the site.
Send comments, suggestions, and requests to [Alex. F. Burr](mailto:aburr@qzxservices.com) or send e-mail to [aburr @ qzxservices.com](mailto:aburr@qzxservices.com).
Technical assistance, net access, design, and maintenance provided by qzxservices.com

THE ARTICLES FOR THIS MONTH

PRESIDENT'S CORNER

N5PK

I am looking forward to serving you as president of the Messily Valley Radio Club (MVRC), during the coming year. We've some difficult decisions to make quickly to help us remain financially sound.

- First, you will be called upon to approve a dues increase to thirty five dollars a year for single membership and forty-five dollars a year for family membership, effective April first.
- Second, we will actively solicit donations to the "Friends Of The Messily Valley Radio Club" of fifty dollars or more. We have a nice attractive plaque in the kitchen area where records of such friends are displayed. Also all such donations are tax deductible. Third, see announcement later in this issue of sellable equipment donations.
- Finally, we are looking at ways to increase membership in the club. Tres Campbell, (VP) is the one to contact if any of you have ideas to share. Contact Tres Campbell, (VP) if you have suggestions for programs you feel would be interesting and to volunteer to provide such programs.

We will be asking that all members who request a printed newsletter via "snail mail" pay an additional ten dollars a year to cover additional costs of printing and mailing.

Contact Tres Campbell, (VP) if you have suggestions for programs you feel would be interesting and to volunteer to provide such programs.

Finally, we still need volunteers to help with the bean feed, contact Cash, special events chairman. We have two vendors committed to the bean feed this year, Rad Comm of Lubbock Tx., and Southwest Antenna & Accessories of Moriarty NM. Plan now to support this great get together here in southern NM, at the MVRC club property, 6609 Jefferson.

See ya on the second of April at the meeting

[Return to Table of Contents](#)

KC5IEC KB5YMI

(KC5IEC, Lou Cabot, was a past president of the club.)

My wonderful friend, Lou passed away this morning at home. Mary just called me. He went peacefully. He had been hurting the last few days and had to go on morphine.

As much as it hurts, I am thankful that he did not have to linger in pain and Mary, and those who loved him, see him suffer.

Nothing is planned as to funeral or other arrangements. Mary desires that no one provide anything at this time. I will attempt to let you know of arrangements when I learn of them. He and Mary were members of the First Baptist Church.

I have sent this with addressees visible, and if you know of anyone who should be notified, please let them know.

Psalms 116:15 Precious in the sight of the LORD is the death of his saints.

[.Return to Table of Contents](#)

APRIL PROGRAM KD5ZHI

Business meeting speaker will be Cash Olson KD5SSJ. The subject will be "how to solder a surface mount board using low cost reflow techniques" or how the mortal man can put together such small and complicated electronics. The meeting will be Saturday April 2nd. Bring your appetite and after breakfast sit back and enjoy the presentation.

I am looking for other meeting speakers and subjects. Please contact me on the air or at home (373-2008). I would like to plan the entire year and will ask Alex to post the speaker schedule on the Oscillator every month.

Thanks all, please contact me with any other club issues or matters.

[.Return to Table of Contents](#)

HELP! EQUIPMENT & SUPPLIES NEEDED N5WQ

Bean Feed is coming on April 24! We have projected to sell \$1,292.50 in sales in our 2005 budget. We badly need saleable items. Please look through your ham shack and think about donating items that you no longer need or use.

Since we are a not-for-profit organization, the value of donated items may be deducted from your personal taxes. If you will prepare a receipt, indicating your items' value, one of the officers will sign it for you.

If you need someone to pick up your items, please call John, N5WQ, at 373-1166 to arrange a time.

[Return to Table of Contents](#)

MINUTES OF LAST MEETING

March 5, 2005

KD5SSJ (acting secretary)

The monthly meeting of the Mesilla Valley Radio Club was called to order on March 5, 2005 at 9:20 AM by Tim Linn (KD5SSF) the out going President of the club.

Approximately 41 persons were present.

Alex Burr (K5XY) presented a program that gave some detail on the reasoning behind and methods of measuring the SWR (Standing Wave Ratio) of an antenna and then actually measured 10 or 11 "rubber duckie" antennas and recorded the results in a tabular form on the marker board.

Following the presentation the introductions were made.

Minutes of the previous meeting were opened for discussion, it was moved by Karl (KD5I) that the minutes be accepted as printed in the LO Newsletter, John (N5WQ) seconded the motion, by a show of hands the motion carried.

The Treasures report was presented by Tim because Charlie (W5TLU) was unable to stay for the meeting.

WF Chkg \$1237.95

WF Svgs \$4100.81

CF Chkg \$2417.79 Education Fund

Cash box \$ 58.79 which did not account for breakfast income or expenses

Nominations for President were called for, none were made, and Dean (WA7EPU) to close nominations, Karl (K5DI) seconded, and by show of hands the motion passed.

As above, the nominations for Vice President, Secretary, Treasurer, Director of Communications, the motion was moved, seconded and passed.

Then all further nominations were accepted by a similar process.

Ballots were passed out and a short time was allowed for the voting to proceed. Ballots were collected and counted by Bob (AD5LJ) and Jim (WA2NIJ)(by memory).

A discussion of modifying of the club Constitution to limit the terms of the officers was held. The discussion included the implications of changing the Constitution versus the Bylaws on the filing the changes with the New Mexico State Corporation Commission and IRS. A motion to table the discussion was made by Cash (KD5SSJ), the motion was seconded and passed by a show of hands.

The results of the balloting were presented (in writing) to Tim (KD5SSF), and he read the following results:

President - Jack Lemons (N5PK),
Vice President - Tres Campbel (KD5ZHI),
Secretary - J.O. Hughes (KE5ALO),
Treserure - Sandra Hempfling (KJ5Q),
Dir. of Communication - George Kopp (KD5OHA),
Dir. of Special Events - Cash Olsen (KD5SSJ)

Joe San Filippo (WZ5R) presented some details of the spring Technician training classes. The class is scheduled for April 8, 9, 10, and registration cutoff will be March 31.

The budget was presented and accepted by the membership.

It has been decided that the club will send, by USPS, to those members who wish to have a written copy sent to them instead of by email. Members who wish to have the written version mailed to them need to make that desire known and a list will be made and maintained. Charlie (K9AQH) and Lydia (KD5VXI) Mabry will reproduce and distribute the LO, as volunteers.

Cash (KD5SSJ) will make the presentation for the April 2 meeting. The topic will demonstrate how to assemble surface mount (SMT) circuit boards using the reflow soldering method. It is possible to use simple household tools to assemble tiny components by mortal man without outrageous amounts to expensive equipment.

Tim (KD5SSF) and George (KD5OHA) volunteered to cook breakfast on May 7, so that Cash (KD5SSJ) can go to the Cochise Hamfest in Sierra Vista, Arizona.

More volunteers are needed for the Bean Feed coming up at the end of April (last Sunday).

The meeting was adjourned.

[Return to Table of Contents](#)

INCOME/EXPENSE

1/1/2005 Through 2/28/2005

KJ5Q

Balance on hand - MVRC Checking Account on December 31, 2004	363.84
---	--------

INCOME

Breakfast & Drinks	93.00
--------------------	-------

Dues	695.00
------	--------

Equipment Sales	20.00
-----------------	-------

TOTAL INCOME	808.00
--------------	--------

1171.84

EXPENSES

Utilities	178.89
-----------	--------

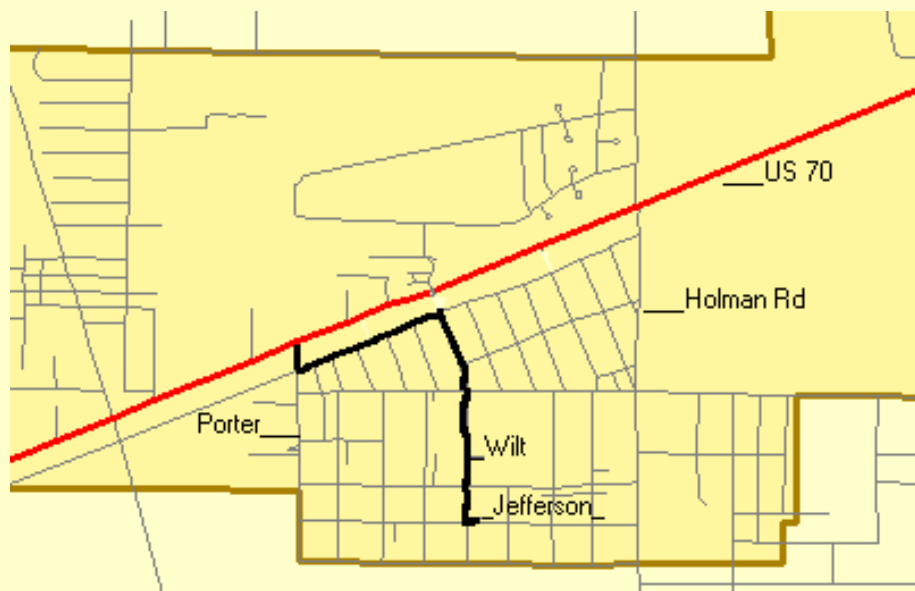
TOTAL EXPENSES	-178.89
----------------	---------

Balance on hand, February 28, 2005	992.95
------------------------------------	--------

[Return to Table of Contents](#)

CLUB INFORMATION

The MVRC Clubhouse is located at the intersection of Wilt and Jefferson in Hacienda Heights. To find the clubhouse, set your destination on your GPS receiver as 32 degrees 22.961 minutes and -106 degrees 41.44 minutes. If you don't own a gps, take the Porter exit on US 70. It is about 5 miles from the I 25 interchange, near the firehouse. Almost immediately south of the south frontage road on the south side of US 70, turn left toward the mountains until you come to Wilt. Turn right. There is a jog in the road, but at 0.35 miles you should come to Jefferson. If you can't see the tower and beam, you shouldn't be driving. The treasurer would be delighted to receive your contribution for landscaping and furnishing.



Officers

Office	Name	Call	Phone	e-mail
President	Jack Lemons	N5PK	526-9428	n5pk@zianet.com
Vice-President	Tres Campbell	KD5HZI	373-2008	trscam@netscape.net
Secretary	J. O. Hughes	KE5RLO		jhughes@nmsu.edu
Treasurer	Sandra Hempfling	KJ5Q	373-1166	kj5q@arrl.net
Board Members	Alex. Burr	K5XY	522-2528	k5xy@arrl.net
	Bob Bennett	AD5LJ	382-0148	rbennett@zianet.com
	George Kopp	KD5OHA	525-1956	geokd5oha@yahoo.com
	Cash Olsen	KD5SSJ	382-4365	casholsen@zianet.com
	Joe San Filippo	WZ5R	521-7574	sanfilippo@zianet.com
	Brad Sacca	KC5SKE	382-4380	sheikyerbouty@uswest.net

The newsletter is always looking for articles and notes of interest to the members of the Mesilla Valley Radio Club. Please send them to Alex. F. Burr, K5XY, Editor, MVRC Local Oscillator, 695 Stone Canyon Drive, Las Cruces, NM 88011. Small personal ads from members will also be published. It would be helpful if submissions would be made in a machine readable form. Windows readable disks are welcome. Files can also be sent to the Internet address k5xy@arrl.net. The club maintains a web site at <http://www.zianet.com/mvrc>.

JOIN THE CLUB

To join the Mesilla Valley Radio Club, renew your membership, or to support the repeaters, please print, cut out, and complete the form below. Send it with dues (\$25 single, \$35 family per year) to: Treasurer, MVRC, Box 1443, Las Cruces, NM 88004.

Name	
Box or street address	
City	
State	
Zip	
Call	
Class of license	
Phone	
e-mail	
ARRL Member?	

[Return to home page](#)