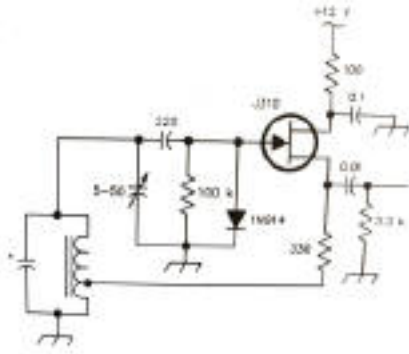
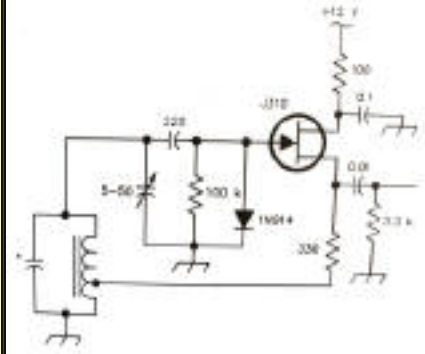


# Local Oscillator



2005

Mesilla Valley Radio Club



February

A [pdf file](#) of this issue is available. It should print fairly easily. If you do not have the free pdf file reader, go to <http://www.adobe.com>

## Events

## Table of Contents

Date	Event	Time
M - F	6 m FM net 52.540	6:00AM
M - F	round-table 52.525	8:00PM
T, T	Breakfast Wal-Mart (E)	10:00AM
M, W, F	Informal - Munson Center	10:00AM
Mon	WTRA Swap net 146.88	8 PM
Wed	Net 146.64	6:45PM
Feb 6	Super Bowl race	
Feb 8	Business meeting	7:00PM

EVENTS  
[CLUB LEADERSHIP CRISIS](#)  
[JANUARY LOCAL OSCILLATOR](#)  
[PRESIDENTIAL VOLUNTEER](#)  
[CLUB INFORMATION](#)

The space below is used for acknowledgements and maintaining the site.

Send comments, suggestions, and requests to [Alex. F. Burr](#) or send e-mail to [aburr @ qzxservices.com](mailto:aburr@qzxservices.com).

Technical assistance, net access, design, and maintenance provided by [qzxservices.com](http://qzxservices.com)

## THE ARTICLES FOR THIS MONTH

### CLUB LEADERSHIP CRISIS KD5SSF

At this time the club has a leadership crisis. The nominating committee was unable to come up with a full slate of officers and the election of new officers has not taken place.

It is pointless to try to assign blame for this situation or to follow the bylaws exactly. The question is how to proceed from here.

The next club meeting be devoted to obtaining a list of candidates by nomination from the floor and to obtain from every member, who wishes to speak, a vision of what the club should do during the coming year, as well as any ideas for long term programs.

The meeting then will consist of two parts. The first part will be a general discussion of the direction of the club. This discussion will be about what should be done in the future, not what the speaker thinks should have been done in the past. If you wish to participate in this part of the meeting (and it is hoped that you will), please prepare your remarks carefully and thoughtfully as there will be a limited amount of time available for everyone to speak.

The second part will be the collection of nominations for the officers and vacant board positions. Listed will be those who have already accepted nomination, those who have volunteered before the meeting, and those nominated at the meeting (self-nomination will be gratefully accepted). If there are more than one nomination for any vacant post, the election will be held at the March meeting, thus providing time for any discussion to be distributed in the Local Oscillator.

Everybody wishes that the leadership crisis had not occurred, but it can have the beneficial effect of getting more people involved in the activities of the club.

Already one member has outlined a possible course for the club for the next year. That outline appears in a separate article. A program involving 2m HT antennas is already planned for the March meeting.

We hope to see you at the next business meeting with some constructive suggestions.

[Return to Table of Contents](#)

JANUARY LOCAL OSCILLATOR

## K5XY

A number of people have commented on the absence of a January Local Oscillator. For at least the last 10 years there has never been a January Local Oscillator.

[.Return to Table of Contents](#)

## PRESIDENTIAL VOLUNTEER

### K5DI

Here it is January and the Mesilla Valley Radio Club (MVRC) has elected no new Officers. The Club will just fail if something is not done. I do NOT want to be president, but I will run for that Office at the next meeting. I will do my best to rebuild the club from where it is now, and again make the Business Meeting a fun experience.

I need Charley Welsh to stay on one more year as Treasurer. I need someone to be the Secretary and I will find a Vice President that wants to be President next year. I will have an active Nominating Committee busy in September. The next election will be at the meeting in November 2005 like it should be. The meeting day will be the second Tuesday of EVERY month at 7:00 PM local time.

Depending on whether the first Saturday Breakfast makes money, this monthly event will be continued or stop. This is a lot of work for Cash Olsen and his friends and it needs to be successful. The Club sponsored dinner every month will become non-sponsored but can remain a Club function if desired.

All matters pertaining to the Clubhouse will be done by the Directors in their meeting. If work needs doing, it will be brought to the Business Meeting as a request from the Directors.

The next meeting is February 8, 2005 at the Clubhouse east of Las Cruces off Highway 70 at Wilt and Jefferson. There is a mast with a big beam on the property.

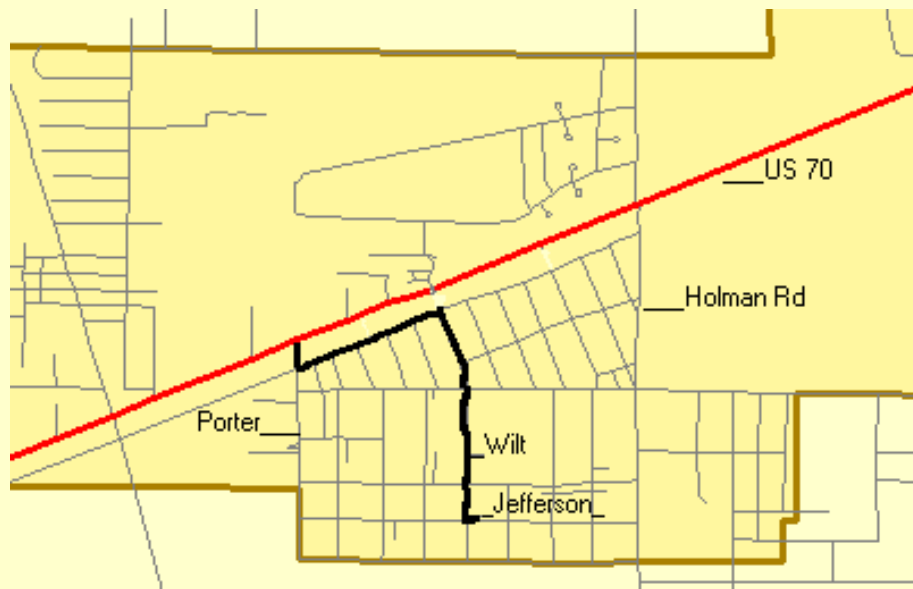
If you can't make the Business Meetings but would like to pay your dues, please mail them to Treasurer, MVRC, Box 1443, Las Cruces, NM 88004.

It is certain the Club will return to a mailed Local Oscillator monthly or by-monthly. This is it appears very important.

[.Return to Table of Contents](#)

## CLUB INFORMATION

The MVRC Clubhouse is located at the intersection of Wilt and Jefferson in Hacienda Heights. To find the clubhouse, set your destination on your GPS receiver as 32 degrees 22.961 minutes and -106 degrees 41.44 minutes. If you don't own a gps, take the Porter exit on US 70. It is about 5 miles from the I 25 interchange, near the firehouse. Almost immediately south of the south frontage road on the south side of US 70, turn left toward the mountains until you come to Wilt. Turn right. There is a jog in the road, but at 0.35 miles you should come to Jefferson. If you can't see the tower and beam, you shouldn't be driving. The treasurer would be delighted to receive your contribution for landscaping and furnishing.



## Officers

Office	Name	Call	Phone	e-mail
President	Tim Linn	KD5SSF	521-0486	<a href="mailto:kd5ssf@arrl.net">kd5ssf@arrl.net</a>
Vice-President	Bob Deal	KD5PPP		<a href="mailto:bob-verna@zianet.com">bob-verna@zianet.com</a>
Secretary	Carleton Talbot	KC5MRM	(915)877-3538	<a href="mailto:kc5mrm@zianet.com">kc5mrm@zianet.com</a>
Treasurer	Charlie Welch	W5TLU	524-3412	<a href="mailto:cwwelch@usa.net">cwwelch@usa.net</a>
Board Members	Alex. Burr	K5XY	522-2528	<a href="mailto:k5xy@arrl.net">k5xy@arrl.net</a>
	Bob Bennett	AD5LJ	382-0148	<a href="mailto:rbennett@zianet.com">rbennett@zianet.com</a>
	Karl Larsen	K5DI	524-3303	<a href="mailto:k5di@zianet.com">k5di@zianet.com</a>
	Cash Olsen	KD5SSJ	382-1917	<a href="mailto:casholsen@zianet.com">casholsen@zianet.com</a>
	Joe San Filippo	WZ5R	521-7574	<a href="mailto:sanfilippo@zianet.com">sanfilippo@zianet.com</a>
	Brad Sacca	KC5SKE	382-4380	<a href="mailto:sheikyerbouty@uswest.net">sheikyerbouty@uswest.net</a>

The newsletter is always looking for articles and notes of interest to the members of the Mesilla Valley Radio Club. Please send them to Alex. F. Burr, K5XY, Editor, MVRC Local Oscillator, 695 Stone Canyon Drive, Las Cruces, NM 88011. Small personal ads from members will also be published. It would be helpful if submissions would be made in a machine readable form. Windows readable disks are welcome. Files can also be sent to the Internet address [aburr@aol.com](mailto:aburr@aol.com). The club maintains a web site at <http://www.zianet.com/mvrc>.

**JOIN THE CLUB**

To join the Mesilla Valley Radio Club, renew your membership, or to support the repeaters, please print, cut out, and complete the form below. Send it with dues (\$25 single, \$35 family per year) to: Treasurer, MVRC, Box 1443, Las Cruces, NM 88004.

Name	
Box or street address	
City	
State	
Zip	
Call	
Class of license	
Phone	
e-mail	
ARRL Member?	

[Return to home page](#)