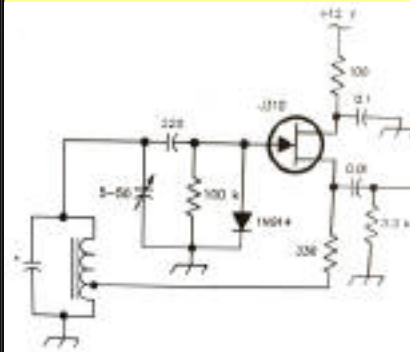


2004

# Local Oscillator



December

Mesilla Valley Radio Club

A [pdf file](#) of this issue is available. It should print fairly easily. If you do not have the free pdf file reader, go to <http://www.adobe.com>

## Events

## Table of Contents

Date	Event	Time
M - F	6 m FM net 52.540	6:00AM
M - F	round-table 52.525	8:00PM
T, T	Breakfast Wal-Mart (E)	10:00AM
M, W, F	Informal - Munson Center	10:00AM
Mon	WTRA Swap net 146.88	8 PM
Wed	Net 146.64	6:45PM
Dec 13	Christmas Dinner To be announced	
Jan 10	Business Meet Club House	7:00PM

EVENTS  
[BAYLOR PASS RUN](#)  
[MARATHON](#)  
[MEETINGS](#)  
[CLUB INFORMATION](#)



# KD5SSJ as NCS at Marathon

---

The space below is used for acknowledgements and maintaining the site.

Send comments, suggestions, and requests to [Alex. F. Burr](#) or send e-mail to [aburr @ qzxservices.com](mailto:aburr@qzxservices.com).

Technical assistance, net access, design, and maintenance provided by [qzxservices.com](http://qzxservices.com)

## THE ARTICLES FOR THIS MONTH

### BAYLOR PASS RUN WK5C

The MVRC provided radio support to the 34th annual running of the Baylor Pass, conducted by the Mesilla Valley Track Club. In heavy fog, near freezing temperatures, winds on the west side of the pass, and spitting rain/snow on the east side, the winner crossed the 4 miles up and 2 miles down course in just under 48 minutes. Jack, N5PK, and Jim, WA2NIJ manned the start line, while Marnie, KA2FVO, Charlotte, KC5KWI, Richard, KC5EVR, Henry, AD5FE, Karl, K5DI, (with Buckets), Bob, AD5LJ, and Brad, KC5SKE, took to the snow covered trails. Steve, WM5Z, Val, KD5ZGY, and John, WK5C manned the finish area. There were no medical emergencies this year but we did have a pair of walkers who were very much behind the crowd. Due to the weather and several runners going back over the trail to get their vehicles, the Race Director asked us to next year consider staying at all our positions until all the last runners going either way were accounted for. This could present a problem for the members on the upper reaches of the course due to the low temperatures, rain/snow, and winds but merits consideration and preplanning. The club's 146.64 repeater and 146.55 simplex frequencies were used and worked well.

[Return to Table of Contents](#)

### MARATHON KD5SSF

On October 31 MVRC supported the third Mesilla Valley Marathon with radio communications. The race was a safe one but MVRC members were instrumental in bringing help to a runner with a pulled muscle. We want to say a big thanks to those who helped:

Dennis Shepan KB5TPV, George Kopp KD5OHA, Charlotte Johnson KC5KWI, Richard Johnson KC5EVR, Brad Sacca KC5SKE, Jack Lemons N5PK, J.O. Hughes KE5ALO, Tim Linn KD5SSF, and Teresa Linn KD5ZHD.

Another significant occurrence at the marathon was that Alex Burr K5XY won first place in the half marathon racewalk. Not first place

for his age group but first among all participants. Way to go Alex!  
On the web version of this newsletter you can see a picture of Alex  
coming in the home stretch and another picture of him holding his  
prize. (Click here for [pictures](#))

[Return to Table of Contents](#)

## MEETINGS

### K5XY

The club is trying to arrange a December Christmas social meeting.  
The date will be December 13 at a time and place to be announced if  
the final arrangements can be made.

Remember that the club has voted to change the business meeting and  
program to the first Tuesday in the month at 7PM in the club house.  
The next business meeting will be January 10.

[Return to Table of Contents](#)

# Pictures



[Return to Table of Contents](#)



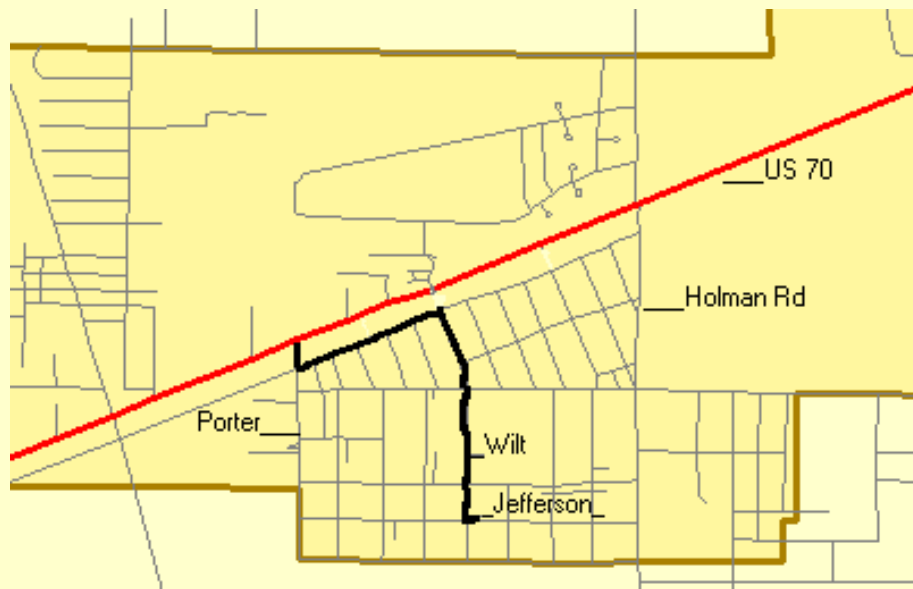


Note HT used in case walker got lost or collapsed

[Return to Table of Contents](#)

## CLUB INFORMATION

The MVRC Clubhouse is located at the intersection of Wilt and Jefferson in Hacienda Heights. To find the clubhouse, set your destination on your GPS receiver as 32 degrees 22.961 minutes and -106 degrees 41.44 minutes. If you don't own a gps, take the Porter exit on US 70. It is about 5 miles from the I 25 interchange, near the firehouse. Almost immediately south of the south frontage road on the south side of US 70, turn left toward the mountains until you come to Wilt. Turn right. There is a jog in the road, but at 0.35 miles you should come to Jefferson. If you can't see the tower and beam, you shouldn't be driving. The treasurer would be delighted to receive your contribution for landscaping and furnishing.



## Officers

Office	Name	Call	Phone	e-mail
President	Tim Linn	KD5SSF	521-0486	<a href="mailto:kd5ssf@arrl.net">kd5ssf@arrl.net</a>
Vice-President	Bob Deal	KD5PPP		<a href="mailto:bob-verna@zianet.com">bob-verna@zianet.com</a>
Secretary	Carleton Talbot	KC5MRM	(915)877-3538	<a href="mailto:kc5mrm@zianet.com">kc5mrm@zianet.com</a>
Treasurer	Charlie Welch	W5TLU	524-3412	<a href="mailto:cwwelch@usa.net">cwwelch@usa.net</a>
Board Members	Alex. Burr	K5XY	522-2528	<a href="mailto:k5xy@arrl.net">k5xy@arrl.net</a>
	Bob Bennett	AD5LJ	382-0148	<a href="mailto:rbennett@zianet.com">rbennett@zianet.com</a>
	Karl Larsen	K5DI	524-3303	<a href="mailto:k5di@zianet.com">k5di@zianet.com</a>
	Cash Olsen	KD5SSJ	382-1917	<a href="mailto:casholsen@zianet.com">casholsen@zianet.com</a>
	Joe San Filippo	WZ5R	521-7574	<a href="mailto:sanfilippo@zianet.com">sanfilippo@zianet.com</a>
	Brad Sacca	KC5SKE	382-4380	<a href="mailto:sheikyerbouty@uswest.net">sheikyerbouty@uswest.net</a>

The newsletter is always looking for articles and notes of interest to the members of the Mesilla Valley Radio Club. Please send them to Alex. F. Burr, K5XY, Editor, MVRC Local Oscillator, 695 Stone Canyon Drive, Las Cruces, NM 88011. Small personal ads from members will also be published. It would be helpful if submissions would be made in a machine readable form. Windows readable disks are welcome. Files can also be sent to the Internet address [aburr@aol.com](mailto:aburr@aol.com). The club maintains a web site at <http://www.zianet.com/mvrc>.



**JOIN THE CLUB**

To join the Mesilla Valley Radio Club, renew your membership, or to support the repeaters, please print, cut out, and complete the form below. Send it with dues (\$25 single, \$35 family per year) to: Treasurer, MVRC, Box 1443, Las Cruces, NM 88004.

Name	
Box or street address	
City	
State	
Zip	
Call	
Class of license	
Phone	
e-mail	
ARRL Member?	

[Return to home page](#)