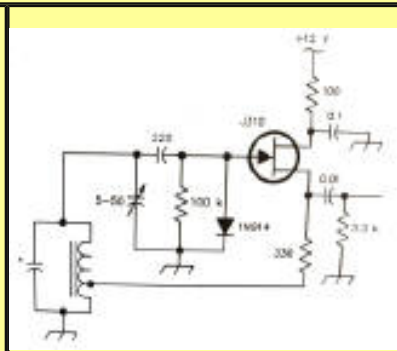


2004

Local Oscillator



November

Mesilla Valley Radio Club

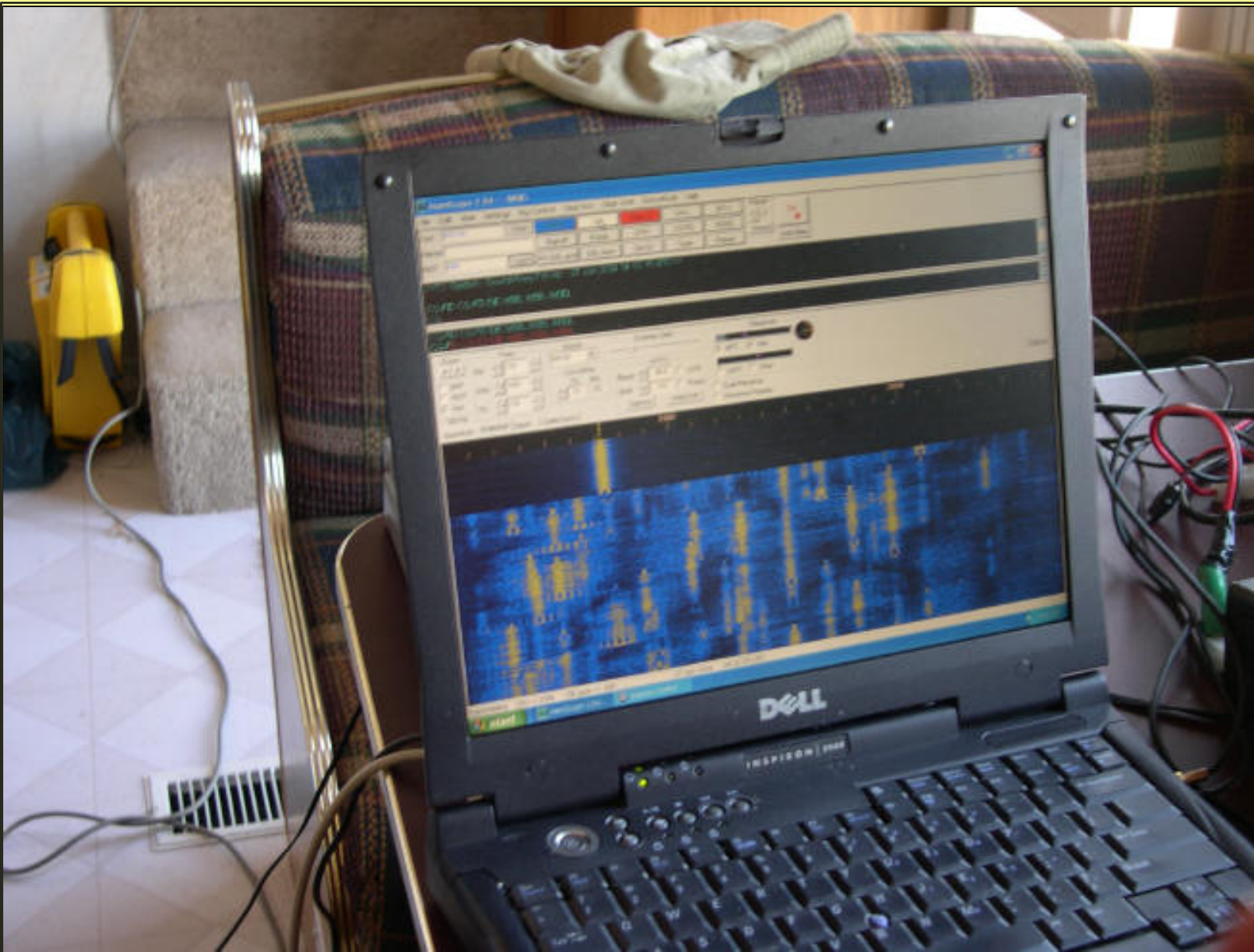
A [pdf file](#) of this issue is available. It should print fairly easily. If you do not have the free pdf file reader, go to <http://www.adobe.com>

Events

Table of Contents

Date	Event	Time
M - F	6 m FM net 52.540	6:00AM
M - F	round-table 52.525	8:00PM
T, T	Breakfast Wal-Mart (E)	10:00AM
M, W, F	Informal - Munson Center	10:00AM
Mon	WTRA Swap net 146.88	8 PM
Wed	Net 146.64	6:45PM
Oct 31	Marathon	
Nov 6	Breakfast Club House	8:00AM
Nov 6	Business Meet Club House	9:15AM
Nov 8	Social Meeting (2 nd Mon Golden Corral	6:00PM
Nov 10	1 st Wed after 2 nd Mon Directors at clubhouse	7:00PM
Nov 11	Baylor Pass Run	

EVENTS
PRESIDENT'S CORNER
TRANSMITTER HUNT
USE OF CLUB STATION
MEETING TIME VOTE
MARATHON
CLUBHOUSE UPDATE
CLUB FINANCES
BEAN FEED
UNCLASSIFIED
CLUB INFORMATION



The PKS31 Station Field Day

The space below is used for acknowledgements and maintaining the site.
Send comments, suggestions, and requests to [Alex. F. Burr](mailto:aburr@qzxservices.com) or send e-mail to [aburr @ qzxservices.com](mailto:aburr@qzxservices.com).
Technical assistance, net access, design, and maintenance provided by qzxservices.com

THE ARTICLES FOR THIS MONTH

PRESIDENT'S CORNER

KD5SSF

As the evenings get cooler and the nights get longer I start to think of indoor activities. One of the most satisfying activities associated with Amateur Radio is building your own equipment. Constructing a circuit or antenna and seeing it work gives you a feeling of accomplishment that few activities can match. This also provides us with opportunities to get to know other Amateurs. There is nothing like debugging a circuit with other Hams to get to know them better. This is in addition to the benefit of the learning that takes place when we work together. One of the most attractive attributes of Hams is their willingness to share their experience with others. On more than one occasion I was stuck and only finished the project because of a helpful Elmer. I would like to take this opportunity to thank all those who have been such a help to me. I hope I can pass some of this on to others.

[Return to Table of Contents](#)

TRANSMITTER HUNT

KD5SSF

Following the meeting on November 6 we will be having a transmitter hunt. You will need a radio (or scanner) that receives in the 2-meter band (144-148 MHz). A directional antenna for will also be useful. Maps of the area of the hunt will be provided. You may want to bring a compass for orienting the map. If you have questions, contact Tim Linn (KD5SSF) at 521-0486.

[Return to Table of Contents](#)

USE OF CLUB STATION

KD5SSF

After the general membership meeting on Saturday, November 6, members will be available for anyone who wants to practice on or learn to use the radios at the club house. The club has two HF rigs and several VHF and UHF rigs will be available for use by those who are interested.

[Return to Table of Contents](#)

MEETING TIME VOTE

KD5SSF

At the general membership meeting at 9:15 AM on Saturday, we will be electing officers and board members. The positions of President, Vice President, Secretary, and Communications Director are open. If you are willing to serve in any of these positions please contact Cash Olsen at kd5ssj@zianet.com or 382-1917. Make sure you attend so that your vote can be counted.

[Return to Table of Contents](#)

MARATHON

KD5SSF

The Mesilla Valley Marathon will run on Sunday, October 31 (Happy Halloween!). If you are willing to help with the communications for this event, please contact Tim Linn at 521-0486 or kd5ssf@arrl.net.

The event will start at 6:30 AM and will end some time in the early afternoon. We will meet at the Field of Dreams just south of Mayfield High School.

[Return to Table of Contents](#)

CLUBHOUSE UPDATE

AD5LJ

On 8 October, Richard (KC5EVR), Cash (KD5SSJ) and I spent the morning doing clubhouse maintenance. We drained the air conditioner and turned on the heater, washed all the floors, cleaned the kitchen and bathroom. We also dusted everything, knocked down all the spider webs and generally tidied up every thing.

The week before, I installed a heavy-duty set of shelves in the storage shed to hold some of our bean feed donations. All of our current bean feed donations are in the storage shed.

Finally, five of the club chairs have broken and been replaced with new ones.

[Return to Table of Contents](#)

CLUB FINANCES

W5TLU

Your club treasurer apologizes for not having put financial notices in the LO until now. We discuss finances at each business meeting but that doesn't inform those of you who can't attend. Next month I'll present some info on income and expenses but this month

will be on changes and status.

The major change this year has been to create an education fund that was started with the money Steve Horan got for his creation of a study guide for ham licensing. That work provided \$2500 to create our fund. The money is used to buy materials and conduct our own classes. Of course we charge fees for those classes and have managed to basically cover the costs so far. The money in this account has been put in a separate local bank.

Our other money is split between a savings account and a checking account, both at another local bank. The savings account provides miniscule interest but CDs don't look very attractive right now. The numbers as of 13Oct04 were as follows:

Checking - \$694.33

Cash - \$347.79

Savings - \$5148.43

Education - \$2417.79

[Return to Table of Contents](#)

BEAN FEED

AD5LJ

The annual bean feed is only 5 months away! When I was moving our donations from the clubhouse to the storage shed, I noticed that the number of donations is substantially less than in past years. As equipment sales at the bean feed are the major money making activity for the club, we really need more donations. What we really need is serviceable ham radio equipment and accessories. Good condition vintage and antique radio gear also sells well. Components, test equipment and commercial radio gear does not sell well at the bean feed. If you have excess gear, consider donating it to the club. All donations can be used as a federal tax deduction. Please, don't donate books, magazines and contents from your junk box. We usually end up giving this kind of stuff away or throwing it in the trash.

[Return to Table of Contents](#)

UNCLASSIFIED

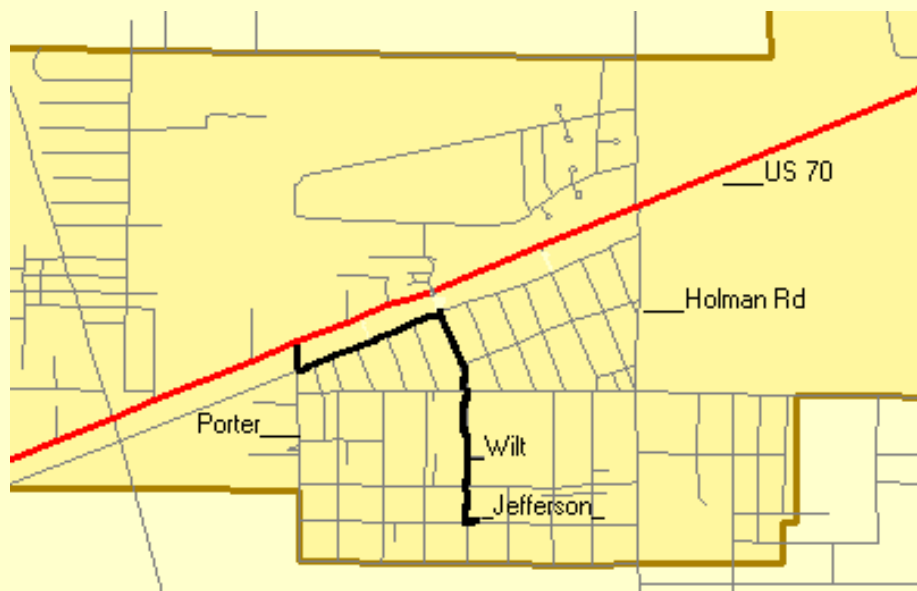
FOR SALE: The club still has a pile of 1/2 inch and 7/8 inch Helix hard line available. This coax is free to any club member who wants it. If nobody has removed it by the end of November, I will dispose of it as scrap.

We have sold some of our excess antennas but still have available a 2-meter and 70-cm circular polarized satellite antenna system with rotators. The asking price is \$100. If anyone is interested, please contact me. AD5LJ

[Return to Table of Contents](#)

CLUB INFORMATION

The MVRC Clubhouse is located at the intersection of Wilt and Jefferson in Hacienda Heights. To find the clubhouse, set your destination on your GPS receiver as 32 degrees 22.961 minutes and -106 degrees 41.44 minutes. If you don't own a gps, take the Porter exit on US 70. It is about 5 miles from the I 25 interchange, near the firehouse. Almost immediately south of the south frontage road on the south side of US 70, turn left toward the mountains until you come to Wilt. Turn right. There is a jog in the road, but at 0.35 miles you should come to Jefferson. If you can't see the tower and beam, you shouldn't be driving. The treasurer would be delighted to receive your contribution for landscaping and furnishing.



Officers

Office	Name	Call	Phone	e-mail
President	Tim Linn	KD5SSF	521-0486	kd5ssf@arrl.net
Vice-President	Bob Deal	KD5PPP		bob-verna@zianet.com
Secretary	Carleton Talbot	KC5MRM	(915)877-3538	kc5mrm@zianet.com
Treasurer	Charlie Welch	W5TLU	524-3412	cwwelch@usa.net
Board Members	Alex. Burr	K5XY	522-2528	k5xy@arrl.net
	Bob Bennett	AD5LJ	382-0148	rbennett@zianet.com
	Karl Larsen	K5DI	524-3303	k5di@zianet.com
	Cash Olsen	KD5SSJ	382-1917	casholsen@zianet.com
	Joe San Filippo	WZ5R	521-7574	sanfilippo@zianet.com
	Brad Sacca	KC5SKE	382-4380	sheikyerbouty@uswest.net

The newsletter is always looking for articles and notes of interest to the members of the Mesilla Valley Radio Club. Please send them to Alex. F. Burr, K5XY, Editor, MVRC Local Oscillator, 695 Stone Canyon Drive, Las Cruces, NM 88011. Small personal ads from members will also be published. It would be helpful if submissions would be made in a machine readable form. Windows readable disks are welcome. Files can also be sent to the Internet address aburr@aol.com. The club maintains a web site at <http://www.zianet.com/mvrc>.

JOIN THE CLUB

To join the Mesilla Valley Radio Club, renew your membership, or to support the repeaters, please print, cut out, and complete the form below. Send it with dues (\$25 single, \$35 family per year) to: Treasurer, MVRC, Box 1443, Las Cruces, NM 88004.

Name	
Box or street address	
City	
State	
Zip	
Call	
Class of license	
Phone	
e-mail	
ARRL Member?	

[Return to home page](#)